



AWJ AWJ Co., Ltd.

PRODUCTS GUIDE 2024I

AWJ History

Pursuit of a VISION no one thought of

2005

Annway Japan established
Started as a sole agent of ANNWAY Taiwan.



2007

Moved to Saitama due to business consolidation



2006

Started import agent of LEAVE Taiwan



2010

Started development of original products as Annway Japan

- Main product
- Multi-level core pointer
 - Studs bolt marker
 - Valve handling cover
 - Flat series



2021

Company name was changed to AWJ Co.,Ltd.
from Annway Japan
AWJ aims to become a global company.


2024

New products
KR Band Series to be released


2022


Renewed of AWJ Website
New product released

- EL H-shaped Steel Under Cover II, Clip Cap
- EL Roud Pipe Inner Cap
- EL Square Pipe Inner Cap
- EL Hex Bolt Cap Washer attached
- Pipe Supports for Polybutene Pipes

Exhibitions

- Mar 12 - Mar 15 Architecture + Construction materials, Tokyo Big Sight
- May 29 - May 31 JECA FAIR 2024, Tokyo Big Sight
- Oct 10 - Oct 12 Domestic Exhibition, Nagoya Fukiage Hall
Organized by The Aichi Puming & heating Constructore' s Assosiation
- Oct 23 - Oct 25 Doestic Exhibition, Tokyo Metropolitan Industry and Trade Center
Organized by The Tokyo Puming & heating Constructore' s Assosiation

CONTENTS

New products

【New】 Stencil Sheet (Refer to P-92 for details)	6
【New】 Joint Stencil (Refer to P-93 for details)	7
【New】 KR Band	8-9
【New】 EL Cap Series	10-11

Pipe Supports

Flat Series Features and Purposes - Elastomer -	12-19
Flat Series Comparison Chart - PVC, Cross-linking AC, Elastomer -	20-22
Flat Series Compatible Piping Lineup - List of Elastomer pipe supports -	23-25
Flat Series Pipe supports for water/ hot water supply SU pipe -Stainless pipe thin-walled	26-29
Flat Series Pipe supports for water/ hot water supply VP pipe - Rigid PVC pipe	30-33
Flat Series Pipe supports for water/ hot water supply SGP pipe - Stainless pipe	34-37
Flat Series Pipe supports for water supply TP pipe - Super Tough-Poly	38-41
Flat Series Pipe supports for water supply PE pipe - Polyethylene pipe	42-45
Flat Series Pipe supports for hot water supply PB pipe - Polybutene pipe	46-49
ETFE Fluororesin Pipe supports for steam/drain pipe SU pipe -Stainless pipe thin-walled/SGP pipe - Stainless pipe	50-55
HONEYCOMB spacer Type-I, Type-II Features and Purposes	56-57
HONEYCOMB spacer Type-I, Type-II Shim-plate SU pipe -Stainless pipe thin-walled/SGP pipe - Stainless pipe	58-59
HONEYCOMB spacer Type-I, Type-II Shim-plate SU pipe -Stainless pipe thin-walled/SGP pipe - Stainless pipe	60-61
Flat U-Bolt & HONEYCOMB spacer Type-I Set Shim-plate +30 +50 SU/SGP pipe	62
Flat U-Bolt & HONEYCOMB spacer Type-II Set Shim-plate +30 +50 SU/SGP pipe	63
HONEYCOMB spacer Type-I Size chart	64
HONEYCOMB spacer Type-I Combination list of various size	65-66
HONEYCOMB spacer Type-II Size chart II	67
HONEYCOMB spacer Type-II Combination list of various size	68-69
Stabilizer plate/ Insulating plate for U-Bolt/ ETFE plate	70-75
Valve handle cover	76-79
Studs bolt marker	80-81

Piping supplies

Structural steel marker	82-83
Pipe marker for SU/SGP pipe	84-85
Multi-level core pointer	86-87
Multi-level core pointer II	88-89
Multi sleeve pointer	90-91
Stencil Sheet	92
Joint Stencil	93

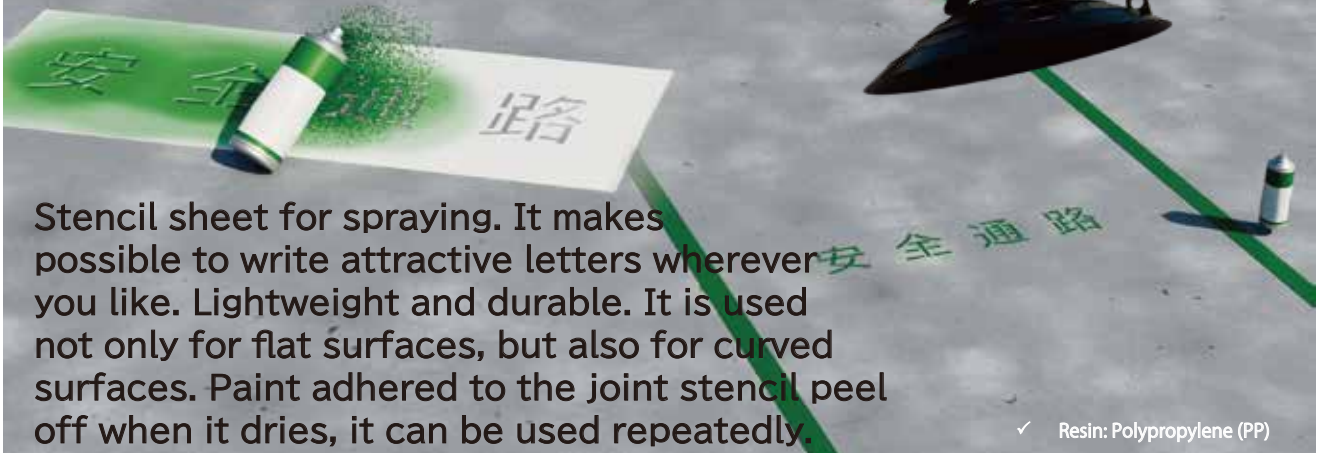
Protective cap

EL bolt head cap/ EL bolt cosmetic cap/ EL hexagon bolt cap washer attached	94-96
EL bolt cap/ EL clip cap/ EL hexagon nut cap	97-99
EL nut cosmetic cap/ EL flange nut cap	100-101
EL single nut cap/ EL single nut cap washer attached	102-103
WS type EL single nut cap washer attached/ EL double nut cap	104-105
EL double nut cap washer attached/ WS type EL double nut cap washer attached	106-107
EL performed angle cap/ EL L-shaped unequal angle cap	108-109
EL channel cap/ EL equal-angle steel cap for general angle	110-111
EL H-shaped steel cap/ EL lipped channel steel cap	112-113
EL ducter rail cap/ Type BC EL ducter rail cap	114-115
EL H-shaped steel under cap/ EL H-shaped steel under cover for segment	116-117
EL outer cap for square cap/ EL inner cap for square pipe	118-120
EL outer cap for round pipe/ EL inner cap for round pipe	121-122
EL outer cap for wide square pipe	123
Female thread anchor cap/ Inner cap for cap bolt	124-125
PVC studs bolt cap/ PVC single nut cap/ PVC anchor nut cap	126
PVC double nut cap/ PVC single nut cap washer attached/ PVC double nut cap washer attached	127
PVC high tension nut cap washer attached/ PVC high tension bolt washer attached	128
PVC hexagon sac nut cap/ PVC cap bolt outer cap	128
PVC round pipe cap/ PVC wide square pipe cap	129
PVC channel cap/ PVC H-shaped steel cap	129
[Information] 2D/3D CAD data downloading	130

Stencil Sheet

Stencil sheet - Cutout sheet

Working without getting your hands dirty by suction cup



Stencil sheet for spraying. It makes possible to write attractive letters wherever you like. Lightweight and durable. It is used not only for flat surfaces, but also for curved surfaces. Paint adhered to the joint stencil peel off when it dries, it can be used repeatedly.

✓ Resin: Polypropylene (PP)



Lightweight and durable

It is made by polipropylene which is light and easy to carry. It is also flexible and durable.



Avairable for curved surface

Since the stencil sheet thickness is 1 mm only, it allows stencil application even on curved surfaces.



The suction cup keeps hands clean

Attach the suction cup to the stencil sheet for remove. The suction cup provided by a standard accesorry.



Remove the stencil sheet by the suction cup. It works without getting your hands dirty.

Joint Stencil

“Vertical and horizontal in writing”



Vertical



Horizontal



Two lines

Carried compactly taking it to pieces



It can be stacked for storage.
Best use for carry.

“Prevent misalignment of the letter position”



To recognize the joint, one side is colored differently.



The spacers makes it easier to position letters. It also help to prevent from letter misaligned.

“Various letter size can combined as you like”

Combination sample



The sheets joints in all four directions for a variety of combination.

-Alphabet available-

K R K Kumishiki R Ring **The World-first**

Patent: Trademark pending
D1763642

“KRBAND combines features of the strength of
Hinged type and easy handling of Assembly type”
KRBAND Series to the Next Generation

To The Future



1. Due to the KRBAND design based on assembly type, there is no concern of the caulking pin falling out and the pipe falling when an earthquake occurs, as is the case with hinged bands.
2. Tensile rupture test results in approximately three times higher than hinged bands by KRBAND size 20A to 100A.

3. KR band can be divided and hot-dip galvanized, it makes the band open/close smoothly and quickly when installation, and improving work efficiency.



“Many advantages from steel

Patent: Trademark pending
D1763642

Evolving To The Future to plastic pipes”

4. KRBANDs are assembled in shipping and are very hard to detach. Therefore, there is no concern about one side of the band detaching and falling off when installation to a pipes, as is the case with original assembly type.

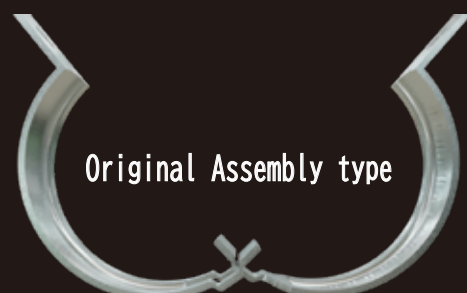


“No need to use both Hinge

Evolution type and Assembly type”



5. The KRBAND does not damage pipes when the band is opened when installation, as is the case with original assembly type. The KRBAND applies for plastic pipes which are used in a variety of applications without the concern of damaging the pipes.



WS Type Series

The design of the CAP threaded is registered
by AWJ Co., Ltd.

D. 1419296
D. 1439796

“ WS type is new released ”

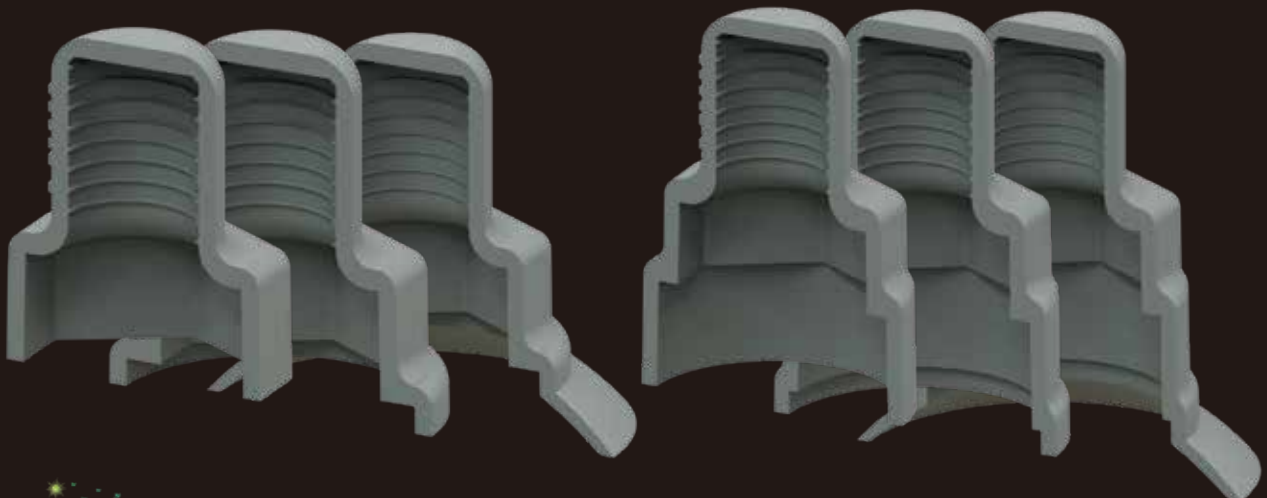
Best-selling series in PVC has been renewed in elastomer resin.

For higher quality, it is added a skirt structure to the original products. The skirt works like a suction cup, it prevent from water or other foreign material.

It is also improve work efficiency by having a rust-preventive effect, and by high adhesion which prevent peeling off. Eight colors are available.



“ Easy installation just by pushing,
Turn the cap for removing.
Resistant to vibration. ”



Eco-friendly elastomer was used in the products.

Elastomer is recyclable and does not generate dioxin when incinerated compared to PVC.

The design of the CAP threaded is registered
by AWJ Co., Ltd.

D. 1419296
D. 1439796

EL CAP Series Full line-up

Single nut series

SIZ M6-M24, W5/16-W3/4



EL Single nut cap



EL single nut cap washer attached



WS Type

EL single nut cap washer attached

Double nut series

SIZ M10-M22, W3/8-W3/4



EL double nut cap



EL double nut cap washer attached



WS Type

EL double nut cap washer attached

High-tension nut cap series

SIZ M12-M24

2024

Coming Soon



EL High-tension nut cap washer attached



WS Type

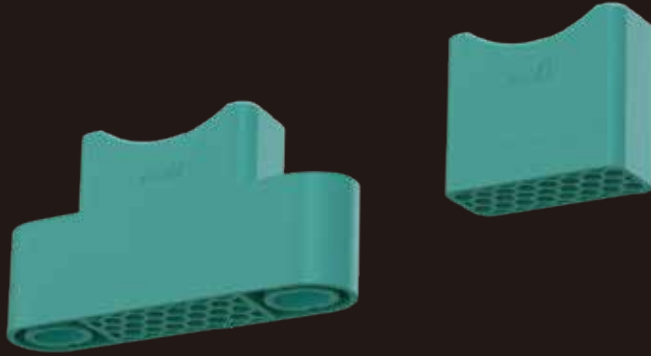
EL High-tension nut cap washer attached

Material Characteristics

FLATBAND[®] EL Flat Band Hanger

FLATUBOLT[®] Flat U-Bolt

HONEYCOMB SPACER[®]



It is the world's first pipe supports with elastomer resin coating. Elastomer is convenient for use, and RoHS2 compliant which is environmentally friendly. Suitable for SU, VP, SG, PE, TP, PB, steam pipes and any pipes.



Four advantages of optimal elastomer for pipe supports

1 Usable at 98°C at all times

The elastomer has a brittleness temperature of -60°C and a softening temperature of 148°C, according to the manufacturer's values.

In-house test has been passed under the condition at 98°C for 8 months with no errors or change.

3 Excellent insulation

The manufacturer's values are durable as much as an insulating resin for pipe supports, reducing the incident of the tearing or losing its insulating effect, even with huge impact or repeating open-close of the band.

*Tear strength of 103kN/m, tensile strength of 27.8 MPa

2 Chlorine FREE in main material

The elastomer resins do not contain chlorine. (Styrenic elastomer resin)

4 Not trigger resin pipe deterioration

Elastomers do not contain plasticizers that cause deterioration of plastic pipes, such as polyethylene and PVC pipes. Conventional pipe supports without coating have often been used for plastic pipes, and they caused damages where they contact with plastic pipes. With the EL Flat Band Hanger, the elastomer coating flexibly protects the plastic pipe.

Color Variations

AWJ Blue

The standard color of AWJ, a bright blue, is to identify the elastomer at a glance.



Tough-Poly Blue

Since the pipe supports for Super Tough-Poly are particular size from generals, special color is applied to minimize mistakes.



VP Gray

Color of VP only



AWJ Green

AWJ green color is to distinguish between the Elastomer resin specially designed for polybutene pipes and others.



Black for Outdoor

UV absorber + black that prevents discolor

The black for outdoor use where exposed to ultraviolet rays. UV absorbing function have been included to make it tougher.

*Hot-dip galvanized is the standard for outdoor use of pipe hanger and support. Others require custom made.



Smooth pipe feeding structure

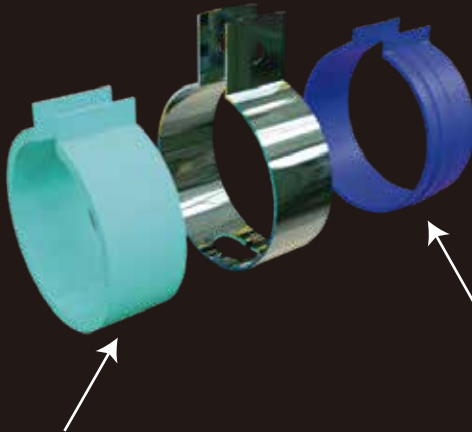
Achieve high Efficiency

Since the inside of the flat band where contacts the piping is made of a hard elastomer resin, it does not grip the piping and can be fed smoothly compared to PVC or other soft resins.



Composed different type resins on the outside and inside

Hybrid structure, the world first



As shown in the pictures, the flat band hanger consists of "inner material" and "outer material". It led to success in feeding the band smoothly by opening/closing easily.

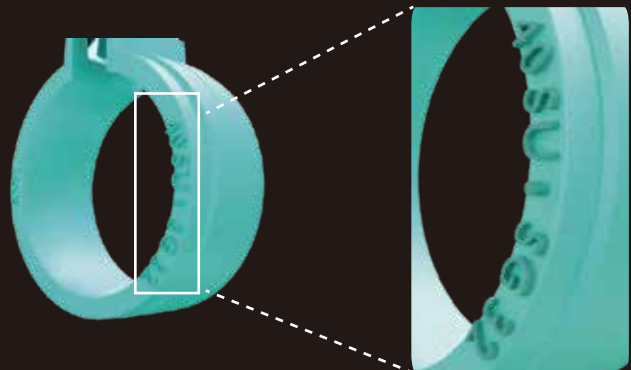
*It is showed in two colors to make it easier to distinguish the different materials.

Outer material- Material B
Outer resin has lower hardness than material A for opening/closing easily. Material B is not suitable for inside material because it grips the pipes.

Inner material- Material A
Inner resin has higher hardness for pipe feeding and insulation. However, it became too hard for opening/closing.

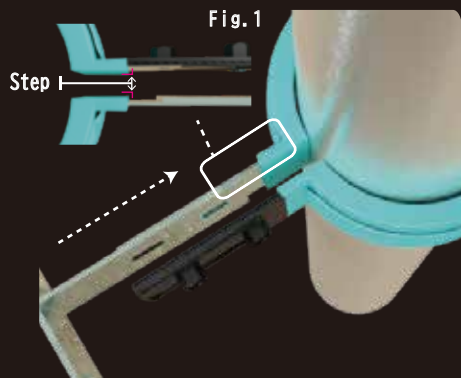
Freely shaped elastomer

Size stamping to the body is available which was not possible with PVC.



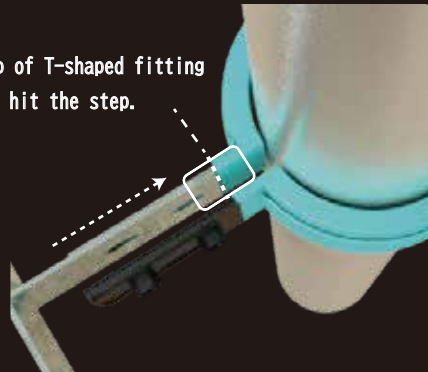
The structure makes it easy to find proper distance where to contact the T-shaped fitting to the pipe

In order to make it easier to find proper distance where the T-shaped fitting to the pipe, a step as shown in Fig.1 is designed. It prevent contacting between the pipe and T-shaped fitting by fixing the proper torque based on the step.



The tip of the T-shaped fitting catches on the step between the metal fitting and the resin.

The tip of T-shaped fitting hit the step.

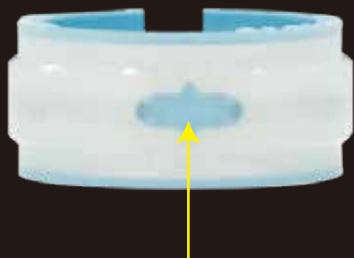


To keep the proper distance, the T-shaped fitting fix on the position where it touch the step.

⚠ The pole position may not match depending on the manufacturer of T-shaped fitting. Please be sure to check in advance.

Easy to use with hybrid construction

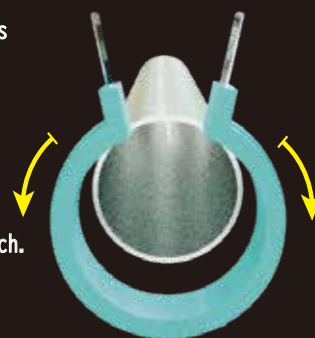
Effective structure by two types of resin



Open/Close Fulcrum structure

We achieve extremely easy-use band by hybrid structure of hard resin which improves pipe slippage and soft resin which has flexible to open/close.

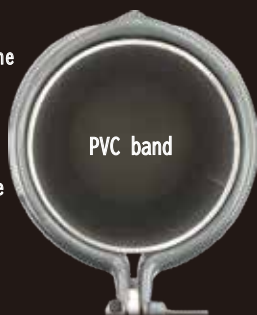
This is the next generation of pipe supporter provided by AWJ' s field oriented spirit which based on the ground approach.



Perfect fit to the diameter of the pipes

Gap between the band and pipe

Due to the features of the manufacturing process, PVC insulation coating has a uneven wall thickness as shown in the picture. There many gaps which are not contacted with the pipes.



PVC band

Perfect fit with no gap

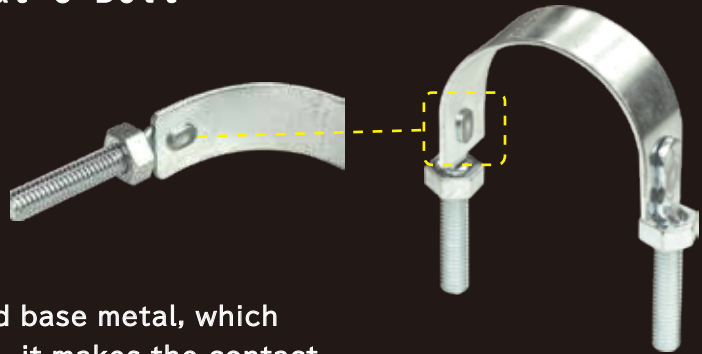
EL Flat Band is designed based on the diameter of the pipes and used in-house manufactured molds, it has a uniform wall thickness and supports pipes with fine contact compared to PVC.



EL FLATBAND

Excellent strength of flat U-Bolt

Original U-bands are attached by "caulking" or "welding. It may be tore or lost by "torsion" or "strong force."



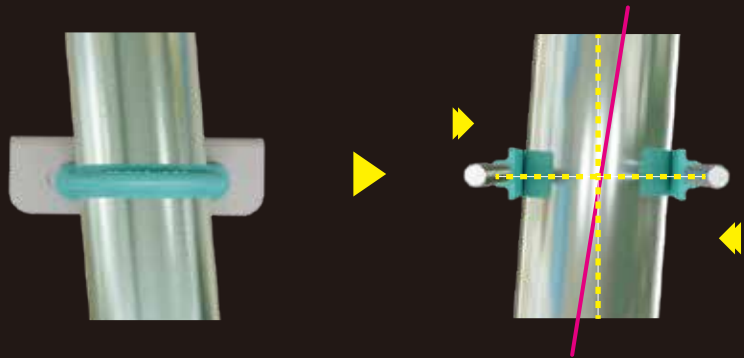
Reliable strength

This FLATUBOLT has a U-bolt shaped base metal, which coated with an elastomer. Therefore, it makes the contact point with the pipes flat, and it can be installed for upside-down without any concern.

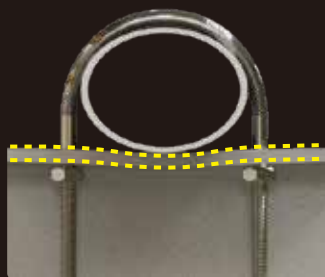
Large contact surface aligns pipe vibration

Pipe inclination

FLATUBOLT aligns the pipe to the original position by elastic force when the pipe swings, vibrates, expands or contracts as shown in the figure.



Prevent from pipe braking by over-tightening

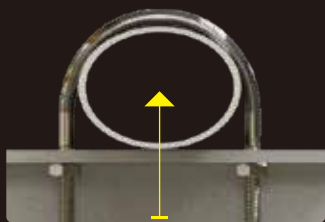


Deformed due to over-tightening

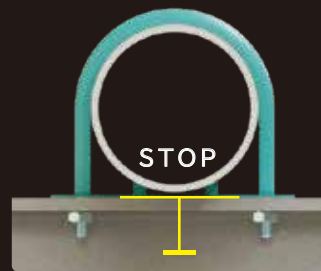
The cause of the accident

The cause is the length of the threaded part of the U-bolt.

Tightening the nut over the proper torque may deform the pipe as shown in the left figure.



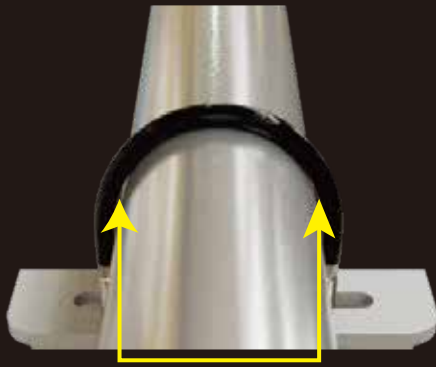
The more stress tightened the pipe unless stopped tighten the screw.



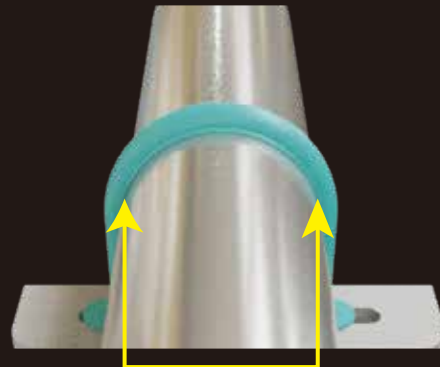
It can visually identify the correct position, and prevents over-tightening by the resistance of the resin and the plate.

Drastic improvement in fitting

FLATUBOLTS are manufactured in a completely different way from original PVC coated U-bolts. FLATUBOLTS designed specifically for various types of pipes, it provides fine fitting ability.



Gaps between the bolt and pipes

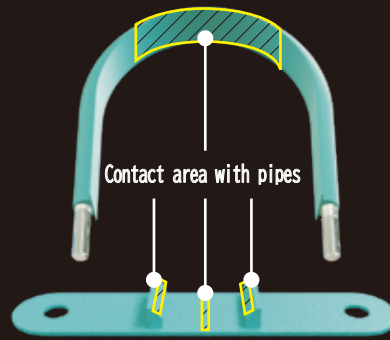


No gaps



Original U-bolt with PVC

While original U-bolts are supported by lines or points, FLATUBOLTS are supported by a surface. It makes possible to firmly fasten to the pipe.

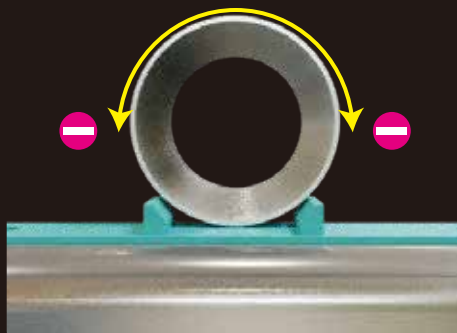


Stabilizer plate

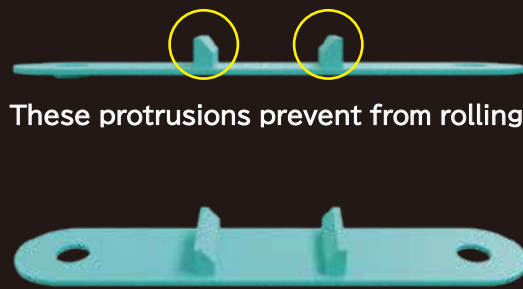
Increase efficiency

Stabilizer plate

The stabilizer plate which provided as a standard accessory with FLATUBOLT prevents the pipes from rolling.



It renamed to "stabilizer plate" from the "stabilizer".

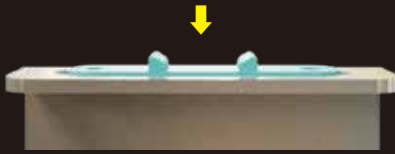


These protrusions prevent from rolling.

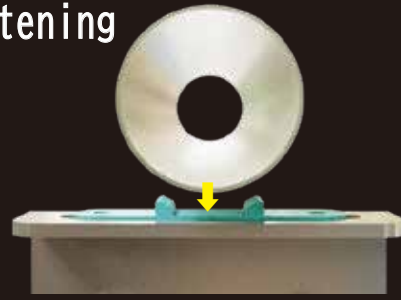
It makes easier to position pipes to place the stabilizer plate in advance since it prevent the pipe from rolling off.

Prevent from pipe braking by over-tightening

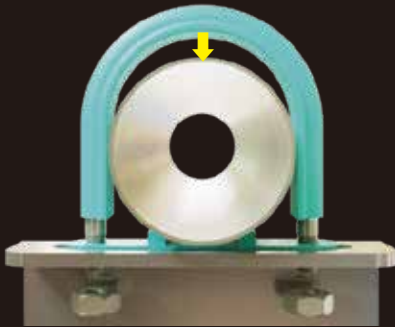
Structure for preventing pipe deformation



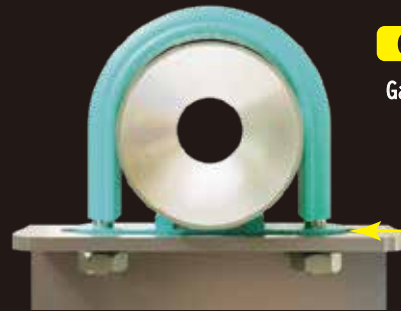
1. Place the plate



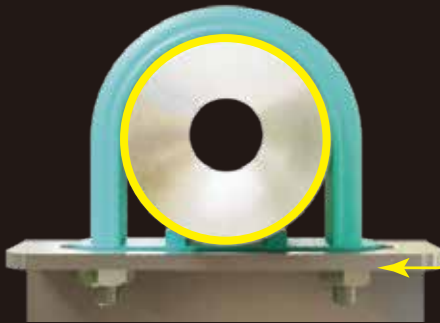
2. Set the pipe on the plate



3. Cover the FLATUBOLT and attach the nut temporarily



4. There will be a gap here at this point which is not torqued to the nut



When the gap here is visually "0 mm", proper tightening pressure to the pipes which protect it. Not too tight, not too loose.

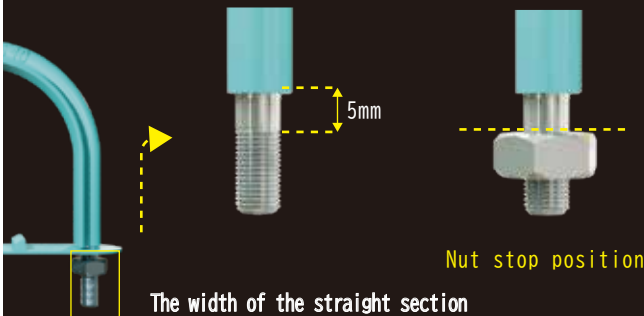


5. Retighten by proper torque

Prevent from pipe braking by over-tightening & **Extra**

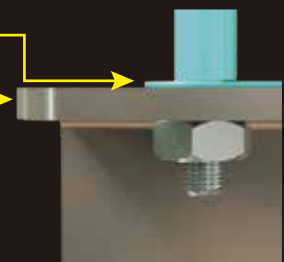
There is a straight section of approx. 5 mm between the resin and the threaded part of the FLATUBOLT, the top of the part is where the nut stops.

The straight section of approx. 5 mm provides "relief" for the thickness of the plate and steel. Even if the nut is tightened to the top, the straight section will stop the nut securely.



The width of the straight section varies depending on the size. +/- 2 mm

Plate: 1.5 mm
Steel: 4-5 mm



The steel thickness is designed based on "4 mm to 5 mm". In case of thinner than it, you can adjust it by washers.

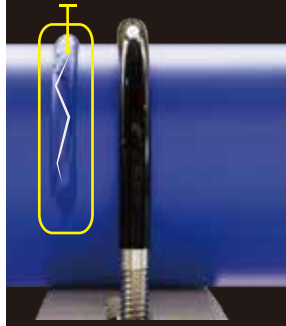
(15A-200A)

Concerns about flexible vinyl chloride and plastic pipes

FLATUBOLT adopted to plastic pipes

Deterioration of plastic pipe in the image

The area where the PVC contacted swells and cracks.



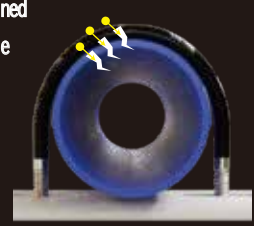
When the PVC plasticizer actually migrates into the plastic pipe, as shown in the left figure, it generates a mark where contacts between the PVC and the pipe. It may cause a rupture where the mark which the plasticizer-absorbed plastic pipe surface swells.



Resin pipes have improved heat resistance and strength, now it often found in construction field due to their ease of handling. However, resin pipes cannot be adopted with PVC-U bolts.

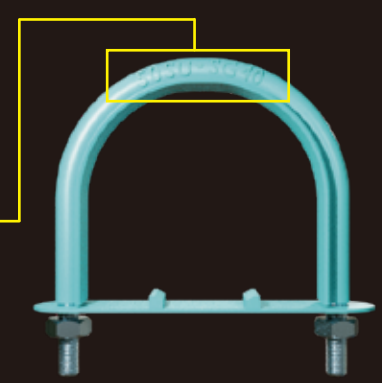
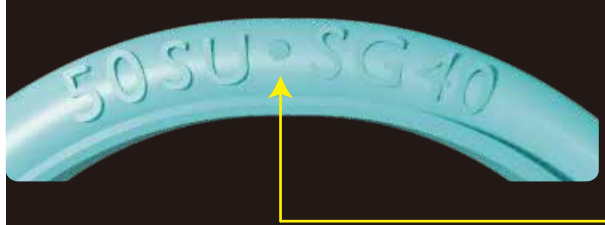
Plasticizers in flexible vinyl chloride deteriorate plastic pipes

The plasticizer softens the resin like rubber which consists of U-Bolt coated by flexible vinyl chloride. However, in a certain period of contact between the plastic pipe and the flexible vinyl chloride, the plasticizer contained is gradually released from the flexible vinyl chloride and begins to migrate into the plastic pipe. Since the plasticizer is very easy-to-mixed with resin, the plasticizer is absorbed from the surface of the resin pipe and deteriorates, causing cracks and breaks.

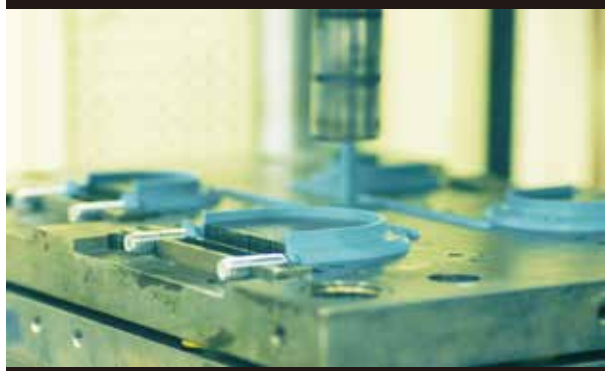


Freely shaped elastomer

Size can be stamped to the body



Elastomer & Insert molding



Flat series are manufactured by insert molding. Both EL FLATBAND and FLATUBOLT are manufactured by injection molding and insert molding. Compared to flexible vinyl chloride U-bolts and pipe hanger and pipe supporter, dimensions can be designed precisely and free shapes can be created.

Chlorine content in Elastomer resin made from

Chlorine FREE

Item / Products	PVC(Dipping) Pipe Hanger	Cross-linking AC Pipe Hanger	EL Flat Pipe Hanger (Nut Holder attached)
			
Operating temperature range (In-house testing)	-20°C to +60°C	-18°C to +90°C	-60°C to +98°C
Resin softening temperature (Molded deformation)	60°C or above	95°C or above	148°C or above
Primary material	Flexible vinyl chloride (PVC)	Acrylic paste (AC)	Elastomer (TPE)
Plasticizer volatility	Volatile over 40°C	Slightly volatile after cross-linking	Very low at 98°C or below
Insulating coating Thickness	Approx. 1.0mm±0.2mm	Approx. 1.0mm±0.2mm	1.2mm
Tensioning Test (size100SU) Shimazu Corp. AG-100KNX plus	7.0 kN	7.0 kN	7.0 kN
Dielectric breakdown strength KV/mm (JIS G 3469)	20Kv/mm	20Kv/mm	23Kv/mm
Volume resistivity Ω (ASTM D 257)	1.6×10^{11}	1.9×10^{16}	1.7×10^{16}
Flame resistance (JIS K 6911)	Self-extinguishing	Late combustion	Late combustion
Weather resistance	Accept	Accept	Excellent Outdoor-use product available
Environmental component	Non	RoHS compliant	RoHS2 compliant
Chlorine content	Presence	Non	Non
Plasticizer	Phthalate ester	Phthalic acid	Mineral oil
Compatibility with other resins (Migration)	Poor	Poor	Excellent
Chemical resistance	Excellent	Good	Good
Resin Tension Mpa, Taring kN/m (JIS K 6251) , (JIS K 6252)	17.8 Mpa 52.5kN/m	-----	27.8 Mpa 103KN/m
Price (Compared with PVC as 100)	100	350 to 450	130 to 200
Piping applications	Water supply	Water/Hot-water supply	Water/Hot-water supply
Manufacturing method	Dip coating	Cross-linking after dip coating	Hybrid insert
Compatible piping	SU/SG	SU/SG	SU/SG/Various resins
Colors	Blue / Gray / Ivory / Black	Gray / Dark blue	AWJ blue / Tough poly blue / Gray

Item / Products	PVC(Dipping) Pipe Supporter	Cross-linking AC Pipe Supporter	EL Flat Pipe Supporter (Nut Holder attached)
			
Operating temperature range (In-house testing)	-20°C to +60°C	-18°C to +90°C	-60°C to +98°C
Resin softening temperature (Molded deformation)	60°C or above	95°C or above	148°C or above
Primary material	Flexible vinyl chloride (PVC)	Acrylic paste (AC)	Elastomer (TPE)
Plasticizer volatility	Volatile over 40°C	Slightly volatile after cross-linking	Very low at 98°C or below
Insulating coating Thickness	Approx. 1.0mm±0.2mm	Approx. 1.0mm±0.2mm	1.2mm
Tensioning Test (size100SU) Shimazu Corp. AG-100KNX plus	7.0 kN	7.0 kN	7.0 kN
Dielectric breakdown strength KV/mm (JIS G 3469)	20Kv/mm	20Kv/mm	23Kv/mm
Volume resistivity Ω (ASTM D 257)	1.6×10^{11}	1.9×10^{16}	1.7×10^{16}
Flame resistance (JIS K 6911)	Self-extinguishing	Late combustion	Late combustion
Weather resistance	Accept	Accept	Excellent Outdoor-use product available
Environmental component	Non	RoHS compliant	RoHS2 compliant
Chlorine content	Presence	Non	Non
Plasticizer	Phthalate ester	Phthalic acid	Mineral oil
Compatibility with other resins (Migration)	Poor	Poor	Excellent
Chemical resistance	Excellent	Good	Good
Resin Tension Mpa, Taring kN/m (JIS K 6251) , (JIS K 6252)	17.8 Mpa 52.5kN/m	-----	27.8 Mpa 103KN/m
Price (Compared with PVC as 100)	100	350 to 450	130 to 200
Piping applications	Water supply	Water/Hot-water supply	Water/Hot-water supply
Manufacturing method	Dip coating	Cross-linking after dip coating	Hybrid insert
Compatible piping	SU / SG	SU / SG	SU / SG / Various resins
Colors	Blue / Gray / Ivory / Black	Gray / Dark blue	AWJ blue / Tough poly blue / Gray

Item / Products	PVC(Dipping) U-Bolt	Cross-linking AC U-Bolt	Flat U-Bolt
			
Operating temperature range (In-house testing)	-20°C to +60°C	-18°C to +90°C	-60°C to +98°C
Resin softening temperature (Molded deformation)	60°C or above	95°C or above	148°C or above
Primary material	Flexible vinyl chloride (PVC)	Acrylic paste (AC)	Elastomer (TPE)
Plasticizer volatility	Volatile over 40°C	Slightly volatile after cross-linking	Very low at 98°C or below
Insulating coating Thickness	Approx. 1.0mm±0.2mm	Approx. 1.0mm±0.2mm	1.2mm
Tensioning Test (size100SU) Shimazu Corp. AG-100KNX plus	7.0 kN	7.0 kN	7.0 kN
Dielectric breakdown strength KV/mm (JIS G 3469)	20Kv/mm	20Kv/mm	23Kv/mm
Volume resistivity Ω (ASTM D 257)	1.6×10^{11}	1.9×10^{16}	1.7×10^{16}
Flame resistance (JIS K 6911)	Self-extinguishing	Late combustion	Late combustion
Weather resistance	Accept	Accept	Excellent Outdoor-use product available
Environmental component	Non	RoHS compliant	RoHS2 compliant
Chlorine content	Presence	Non	Non
Plasticizer	Phthalate ester	Phthalic acid	Mineral oil
Compatibility with other resins (Migration)	Poor	Poor	Excellent
Chemical resistance	Excellent	Good	Good
Resin Tension Mpa, Taring kN/m (JIS K 6251), (JIS K 6252)	17.8 Mpa 52.5kN/m	-----	27.8 Mpa 103KN/m
Price (Compared with PVC as 100)	100	350 to 450	130 to 200
Piping applications	Water supply	Water/Hot-water supply	Water/Hot-water supply
Manufacturing method	Dip coating	Cross-linking after dip coating	Hybrid insert
Compatible piping	SU/SG	SU/SG	SU/SG/Various resins
Colors	Blue / Gray / Ivory / Black	Gray / Dark blue	AWJ blue / Tough poly blue / Gray

FLAT Series

Compatible Pipe Supports Lineup for FLAT Series

SU				VP			
Stainless steel pipe thin-walled				Rigid polyvinyl chloride pipe	VP / VU	[JIS K6741]	
				Rigid polyvinyl chloride pip for water supply	VP / HIVP	[JIS K6742]	
				Rigid polyvinyl chloride pipe for heat-resistant	HT	[JIS K6776]	
				Recycled Rigid polyvinyl chloride pipe		[JIS K9798]	
Size				Size			
13SU [15.88]	✓	✓	✓	VP13 [18.0]	-	-	-
20SU [22.22]	✓	✓	✓	VP16 [22.0]	-	-	✓
25SU [28.58]	✓	✓	✓	VP20 [26.0]	-	-	✓
30SU [34.0]	✓	✓	✓	VP25 [32.0]	-	-	✓
40SU [42.7]	✓	✓	✓	VP30 [38.0]	-	-	✓
50SU [48.6]	✓	✓	✓	VP40 [48.0]	✓	✓	✓
60SU [60.5]	✓	✓	✓	VP50 [60.0]	✓	✓	✓
75SU [76.3]	✓	✓	✓	VP65 [76.0]	✓	✓	✓
80SU [89.1]	✓	✓	✓	VP75 [89.0]	✓	✓	✓
100SU [114.3]	✓	✓	✓	VP100 [114.0]	✓	✓	✓
125SU [139.8]	✓	✓	✓	VP125 [140.0]	✓	✓	✓
150SU [165.2]	✓	✓	✓	VP150 [165.0]	✓	✓	✓
200SU [216.3]	✓	✓	✓	VP200 [216.0]	✓	✓	✓
250SU [267.4]	✓	✓	✓	VP250 [267.0]	✓	✓	✓
300SU [318.5]	✓	✓	✓	VP300 [318.0]	✓	✓	✓

✓ To be released in 2025

FLAT Series

Compatible Pipe Supports Lineup for FLAT Series

Compatible Pipe Supports Lineup for FLAT Series

SGP Stainless steel pipe thick-walled [JIS]				PE General polyethylene pipe [Class 1/ Class 2]			
				PE ESLON HYPER AW [JIS]			
Size				Size			
GP15 [21.7]	✓	✓	✓	PE20 [27.0]	✓	✓	✓
GP20 [27.2]	✓	✓	✓	PE25 [34.0]	✓	✓	✓
GP25 [34.0]	✓	✓	✓	PE30 [42.0]	✓	✓	✓
GP32 [42.7]	✓	✓	✓	PE40 [48.0]	✓	✓	✓
GP40 [48.6]	✓	✓	✓	PE50 [60.0]	✓	✓	✓
GP50 [60.5]	✓	✓	✓	PE65 [76.0]	✓	✓	✓
GP65 [76.3]	✓	✓	✓	PE75 [89.0]	✓	✓	✓
GP80 [89.1]	✓	✓	✓	PE100 [114.0]	✓	✓	✓
GP100 [114.3]	✓	✓	✓	PE125 [140.0]	✓	✓	✓
GP125 [139.8]	✓	✓	✓	PE150 [165.0]	✓	✓	✓
GP150 [165.2]	✓	✓	✓	PE200 [216.0]	✓	✓	✓
GP200 [216.3]	✓	✓	✓				
GP250 [267.4]	✓	✓	✓				
GP300 [318.5]	✓	✓	✓				

To be released in 2025

FLAT Series

Compatible Pipe Supports Lineup for FLAT Series

TP Super Tough Poly [JWWA K144/JP K001(Class 3)] General polyethylene pipe [Class 3] [JIS K6761/JP K 003] Polyethylene pipe for water supply [Class 3 double layer] [JIS K6762/JP K 002]				PB Polybutene pipe [JIS K 6778 Class J]			
Size				Size			
TP20 [27.0]	✓	✓	✓	PB16 [22.0]	✓	✓	✓
TP25 [32.0]	✓	✓	✓	PB20 [27.0]	✓	✓	✓
TP30 [40.0]	✓	✓	✓	PB25 [34.0]	✓	✓	✓
TP40 [50.0]	✓	✓	✓	PB30 [42.0]	✓	✓	✓
TP50 [63.0]	✓	✓	✓	PB40 [48.0]	✓	✓	✓
TP65 [75.0]	✓	✓	✓	PB50 [60.0]	✓	✓	✓
TP75 [90.0]	✓	✓	✓	PB65 [76.0]	✓	✓	✓
TP100 [125.0]	✓	✓	✓	PB75 [89.0]	✓	✓	✓
TP125 [160.0]	✓	✓	✓	PB100 [114.0]	✓	✓	✓
TP150 [180.0]	✓	✓	✓				
TP200 [250.0]	✓	✓	✓				
TP250 [315.0]	✓	✓	✓				

To be released in 2025

EL FLATBAND® EL Flat Pipe Hanger NH attached

9000

SU pipe for water supply [Stainless pipe thin-walled]

SU pipe for hot-water supply [Stainless pipe thin-walled]

Stainless pipe thin-walled

SU

PAT. 7253926 D. 1639482
PAT. 7343447

Unichrome EL Flat Pipe Hanger for outdoor use

✓RoHS2 Elastomer

2D CAD 3D CAD

-60°C +98°C

- ✓ Turnbuckle: Trivalent unichromate plating
- ✓ Bolt: Trivalent unichromate plating
- ✓ Band body: SUS 430
- ✓ Insulating resin: Elastomer (TPE)
- ✓ Resin color: AWJ blue

Chlorine FREE in main material

EL FLATBAND trademarked by AWJ co., Ltd.

Flat U-Bolt

Stabilizer plate

Unichrome Product No.	SU Type	Pipe Diameter	Plate WDH (W)	Plate THK (t)	Hanging Bolt	Bolt & Nut B,N	C	H	Inner (t')	Resin (W')	Weight	Qty.	Shipping Unit	MSRP per PCS
SU10110-0013	13SU	15.88	25	0.6	W3/8	M6×25	27	61.8	1.2	28	72g	200	1 Box	
SU10110-0020	20SU	22.22						65.3			76g	200		
SU10110-0025	25SU	28.58						68.6			80g	200		
SU10110-0030	30SU	34.0						72.0	1.5		85g	200		
SU10110-0040	40SU	42.7						76.4			93g	160		
SU10110-0050	50SU	48.6						79.4			95g	140		
SU10110-0060	60SU	60.5						85.4	1.7		105g	100		
SU10110-0075	75SU	76.3		1.0		M8×25		95.4	2.0		156g	80		
SU10110-0080	80SU	89.1						101.8			165g	60		
SU10110-0100	100SU	114.3						114.4			192g	40		
SU10110-0125	125SU	139.8			W1/2	M10×35	45	153.3	2.5	35	385g	20		
SU10110-0150	150SU	165.2	32	1.5				166.1			423g	15		

Stainless steel Outdoor use EL Flat Pipe Hanger **Hot-dip galvanized Outdoor use** EL Flat Pipe Hanger **Stainless steel Outdoor use** EL FLAT Pipe Hanger

- ✓ Turnbuckle: SUS304
- ✓ Bolt, Nut: SUS304
- ✓ Band Body: SUS304
- ✓ Insulating resin: Elastomer (TPE)
- ✓ Resin color: AWJ Blue



- ✓ Turnbuckle: Hot-dip galvanized
- ✓ Bolt, Nut: Hot-dip galvanized
- ✓ Band body: SPCC Hot-dip galvanized
- ✓ Insulating resin: Elastomer (TPE)
- ✓ Resin color: Outdoor Black



- ✓ Turnbuckle: SUS304
- ✓ Bolt, Nut: SUS304
- ✓ Band body: SUS304
- ✓ Insulating resin: Elastomer (TPE)
- ✓ Resin color: Outdoor Black



Stainless steel Product No.	SU Type	Shipping Unit	MSRP per PCS
SU10112-0013	13SU	200	
SU10112-0020	20SU	200	
SU10112-0025	25SU	200	
SU10112-0030	30SU	200	
SU10112-0040	40SU	160	
SU10112-0050	50SU	140	
SU10112-0060	60SU	100	
SU10112-0075	75SU	80	
SU10112-0080	80SU	60	
SU10112-0100	100SU	40	
SU10112-0125	125SU	20	
SU10112-0150	150SU	15	

Hot-dip galvanized Product No.	SU Type	Shipping Unit	MSRP per PCS
SU10115-0013	13SU	200	
SU10115-0020	20SU	200	
SU10115-0025	25SU	200	
SU10115-0030	30SU	200	
SU10115-0040	40SU	160	
SU10115-0050	50SU	140	
SU10115-0060	60SU	100	
SU10115-0075	75SU	80	
SU10115-0080	80SU	60	
SU10115-0100	100SU	40	
SU10115-0125	125SU	20	
SU10115-0150	150SU	15	

Outdoor use Stainless Product No.	SU Type	Shipping Unit	MSRP per PCS
SU10114-0013	13SU	200	
SU10114-0020	20SU	200	
SU10114-0025	25SU	200	
SU10114-0030	30SU	200	
SU10114-0040	40SU	160	
SU10114-0050	50SU	140	
SU10114-0060	60SU	100	
SU10114-0075	75SU	80	
SU10114-0080	80SU	60	
SU10114-0100	100SU	40	
SU10114-0125	125SU	20	
SU10114-0150	150SU	15	

EL FLATBAND® EL Flat Pipe Supporter NH attached

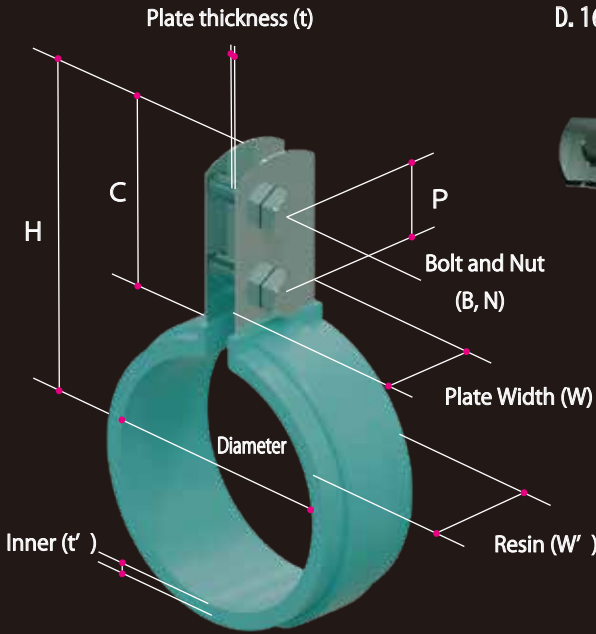
9001

Unichrome EL Flat Pipe Supporter for outdoor use

PAT. 7253926
PAT. 7343447
D. 1639482

Stainless pipe thin-walled

SU



Elastomer

✓RoHS2

-60°C +98°C

- ✓ Bolt: Trivalent unichromate plating
- ✓ Band body: SUS 430
- ✓ Insulating resin: Elastomer (TPE)
- ✓ Resin color: AWJ blue

2D CAD

3D CAD

Chlorine FREE in main material

EL FLATBAND trademarked by AWJ co., Ltd.

Unichrome Product No.	SU Type	Pipe Diameter	Plate WD (W)	Plate THK (t)	Hanging Bolt	Bolt & Nut B,N	C	H	Inner (t')	Resin (W')	Weight	Qty.	Shipping Unit	MSRP per PCS
SU10210-0013	13SU	15.88	25	0.6	20	M6×20	47	55.0	1.2	28	39g	200	1 Box	
SU10210-0020	20SU	22.22						58.5			44g	200		
SU10210-0025	25SU	28.58						61.8			47g	200		
SU10210-0030	30SU	34.0						64.9	1.5		52g	200		
SU10210-0040	40SU	42.7						69.4			60g	160		
SU10210-0050	50SU	48.6						72.4			63g	140		
SU10210-0060	60SU	60.5						78.6	1.7		72g	100		
SU10210-0075	75SU	76.3		1.0				87.8			112g	60		
SU10210-0080	80SU	89.1						94.3	2.0		125g	50		
SU10210-0100	100SU	114.3						106.9			149g	30		
SU10210-0125	125SU	139.8	32	1.5	25	M10×35	65	138.3	2.5	35	314g	20		
SU10210-0150	150SU	165.2						151.0			350g	15		

Stainless steel Outdoor use EL Flat Pipe Supporter **Hot-dip galvanized Outdoor use** EL Flat Pipe Supporter **Stainless steel Outdoor use** EL FLAT Pipe Supporter

- ✓ Bolt, Nut: SUS304
- ✓ Band Body: SUS304
- ✓ Insulating resin: Elastomer (TPE)
- ✓ Resin color: AWJ Blue

- ✓ Bolt, Nut: Hot-dip galvanized
- ✓ Band body: SPCC Hot-dip galvanized
- ✓ Insulating resin: Elastomer (TPE)
- ✓ Resin color: Outdoor Black

- ✓ Bolt, Nut: SUS304
- ✓ Band body: SUS304
- ✓ Insulating resin: Elastomer (TPE)
- ✓ Resin color: Outdoor Black



Stainless steel Product No.	SU Type	Shipping Unit	MSRP per PCS
SU10211-0013	13SU	200	
SU10211-0020	20SU	200	
SU10211-0025	25SU	200	
SU10211-0030	30SU	180	
SU10211-0040	40SU	160	
SU10211-0050	50SU	140	
SU10211-0060	60SU	100	
SU10211-0075	75SU	60	
SU10211-0080	80SU	50	
SU10211-0100	100SU	30	
SU10211-0125	125SU	20	
SU10211-0150	150SU	15	

Hot-dip galvanized Product No.	SU Type	Shipping Unit	MSRP per PCS
SU10215-0013	13SU	200	
SU10215-0020	20SU	200	
SU10215-0025	25SU	200	
SU10215-0030	30SU	180	
SU10215-0040	40SU	160	
SU10215-0050	50SU	140	
SU10215-0060	60SU	100	
SU10215-0075	75SU	60	
SU10215-0080	80SU	50	
SU10215-0100	100SU	30	
SU10215-0125	125SU	20	
SU10215-0150	150SU	15	

Outdoor use Stainless Product No.	SU Type	Shipping Unit	MSRP per PCS
SU10214-0013	13SU	200	
SU10214-0020	20SU	200	
SU10214-0025	25SU	200	
SU10214-0030	30SU	180	
SU10214-0040	40SU	160	
SU10214-0050	50SU	140	
SU10214-0060	60SU	100	
SU10214-0075	75SU	60	
SU10214-0080	80SU	50	
SU10214-0100	100SU	30	
SU10214-0125	125SU	20	
SU10214-0150	150SU	15	

SU pipe for water supply [Stainless pipe thin-walled] SU pipe for hot-water supply [Stainless pipe thin-walled]

FLATUBOLT® Flat U-Bolt High length +30, +50

9003

Unichrome Flat U-Bolt High length +30, +50 PAT. 7057244 *Stainless pipe thin-walled*

SU

Elastomer ✓RoHS2

Temperature range: -60°C to +98°C

- ✓ U-Bolt body: Trivalent unichromate plating
- ✓ Nut: Trivalent unichromate plating
- ✓ Insulating resin: Elastomer (TPE)
- ✓ Resin color: AWJ blue

2D CAD 3D CAD

Chlorine FREE in main material

FLATUBOLT trademarked by AWJ co., Ltd.

Unichrome		SU Type	Flat U-Bolt High length				+30		+50		Weight	Qty.	Shipping Unit	MSRP per PCS	
Product No. [+30]	[+50]		D	P	d	W	H	A	H	A				[+30]	[+50]
SU10349-0203	-0205	20SU	22.22	34	W3/8	25	74	50	94	50	g	200			
SU10349-0253	-0255	25SU	28.58	40			79		99	66	g	200			
SU10349-0303	-0305	30SU	34.0	46			87		107		g	200			
SU10349-0403	-0405	40SU	42.7	56			96		116		g	180			
SU10349-0503	-0505	50SU	48.7	62			102		122		g	150			
SU10349-0603	-0605	60SU	60.5	74			113		133		g	120			
SU10349-0753	-0755	75SU	76.3	88			135	55	155		g	100			
SU10349-0803	-0805	80SU	89.1	101			145		165		g	80			
SU10349-1003	-1005	100SU	114.3	126			173		193		g	50			
SU10349-1253	-1255	125SU	139.8	154	W1/2	30	204	65	224	65	g	30			
SU10349-1503	-1505	150SU	165.2	182			228		248		g	25			
SU10349-2003	-2005	200SU	216.3	232			280		300		g	20			
SU10349-2503	-2505	250SU	267.4	286	W5/8	40	336	80	356	80	g	15			
SU10349-3003	-3005	300SU	318.5	341			396	90	416	90	g	10			

Outdoor use Flat U-Bolt High length +30, +50

- Stainless steel**
- ✓ U-bolt Body: SUS304
 - ✓ Nut: SUS304
 - ✓ Insulating resin: Elastomer (TPE)
 - ✓ Resin color: AWJ Blue



Stainless steel		MSRP per PCS	
Product No. [+30]	[+50]	[+30]	[+50]
SU10350-0203	-0205		
SU10350-0253	-0255		
SU10350-0303	-0305		
SU10350-0403	-0405		
SU10350-0503	-0505		
SU10350-0603	-0605		
SU10350-0753	-0755		
SU10350-0803	-0805		
SU10350-1003	-1005		
SU10350-1253	-1255		
SU10350-1503	-1505		
SU10350-2003	-2005		
SU10350-2503	-2505		
SU10350-3003	-3005		

Outdoor use Flat U-Bolt High length +30, +50

- Hot-dip galvanized**
- ✓ U-bolt Body: Hot-dip galvanized
 - ✓ Nut: Hot-dip galvanized
 - ✓ Insulating resin: Elastomer (TPE)
 - ✓ Resin color: Outdoor Black



Hot-dip galvanized		MSRP per PCS	
Product No. [+30]	[+50]	[+30]	[+50]
SU10359-0203	-0205		
SU10359-0253	-0255		
SU10359-0303	-0305		
SU10359-0403	-0405		
SU10359-0503	-0505		
SU10359-0603	-0605		
SU10359-0753	-0755		
SU10359-0803	-0805		
SU10359-1003	-1005		
SU10359-1253	-1255		
SU10359-1503	-1505		
SU10359-2003	-2005		
SU10359-2503	-2505		
SU10359-3003	-3005		

Outdoor use Flat U-Bolt High length +30, +50

- Stainless steel**
- ✓ U-bolt Body: SUS304
 - ✓ Nut: SUS304
 - ✓ Insulating resin: Elastomer (TPE)
 - ✓ Resin color: Outdoor Black



Outdoor use Stainless		MSRP per PCS	
Product No. [+30]	[+50]	[+30]	[+50]
SU10354-0203	-0205		
SU10354-0253	-0255		
SU10354-0303	-0305		
SU10354-0403	-0405		
SU10354-0503	-0505		
SU10354-0603	-0605		
SU10354-0753	-0755		
SU10354-0803	-0805		
SU10354-1003	-1005		
SU10354-1253	-1255		
SU10354-1503	-1505		
SU10354-2003	-2005		
SU10354-2503	-2505		
SU10354-3003	-3005		

SU pipe for water supply [Stainless pipe thin-walled] SU pipe for hot-water supply [Stainless pipe thin-walled]

EL FLATBAND[®] EL Flat Pipe Hanger NH attached

9004

Rigid PVC Pipe

PAT. 7253926 D. 1639482
PAT. 7343447

Unichrome EL Flat pipe hanger for outdoor use

VP

✓RoHS2

Elastomer

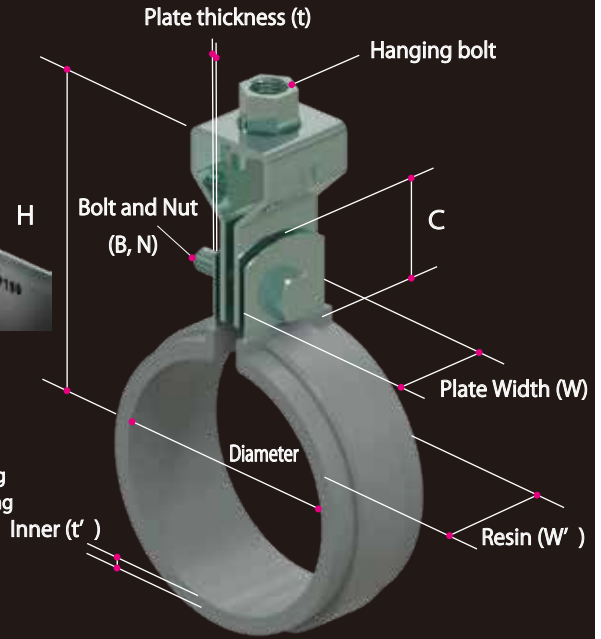
Rebro

-60°C +98°C

2D CAD 3D CAD

Chlorine FREE in main material

- ✓ Turnbuckle: Trivalent unichromate plating
- ✓ Bolt and nut: Trivalent unichromate plating
- ✓ Band body: SUS 430
- ✓ Insulating resin: Elastomer (TPE)
- ✓ Resin color: VP Gray



FLATBAND trademarked by AWJ co., Ltd.

Unichrome Product No.	SU Type	Pipe Diameter	Plate WDH (W)	Plate THK (t)	Hanging Bolt	Bolt & Nut B,N	C	H	Inner (t')	Resin (W')	Weight	Qty.	Shipping Unit	MSRP per PCS
VP10110-0040	40	48	25	0.6	W3/8	M6×25	27	79.4	1.5	28	95g	140	1 Box	
VP10110-0050	50	60	↑	↑	↑	↑	↑	85.4	1.7	↑	105g	100		
VP10110-0065	65	76	↑	1.0	↑	M8×25	↑	95.4	2.0	↑	156g	80		
VP10110-0075	75	89	↑	↑	↑	↑	↑	101.8	↑	↑	165g	60		
VP10110-0100	100	114	↑	↑	↑	↑	↑	114.4	↑	↑	192g	40		
VP10110-0125	125	139	32	1.5	W1/2	M10×35	45	153.3	2.5	35	385g	20		
VP10110-0150	150	165	↑	↑	↑	↑	↑	166.1	↑	↑	423g	15		

Stainless steel Outdoor use EL Flat Pipe Hanger **Hot-dip galvanized Outdoor use** EL Flat Pipe Hanger **Stainless steel Outdoor use** EL FLAT Pipe Hanger

- ✓ Turnbuckle: SUS304
- ✓ Bolt, Nut: SUS304
- ✓ Band Body: SUS304
- ✓ Insulating resin: Elastomer (TPE)
- ✓ Resin color: VP Gray

- ✓ Turnbuckle: Hot-dip galvanized
- ✓ Bolt, Nut: Hot-dip galvanized
- ✓ Band body: SPCC Hot-dip galvanized
- ✓ Insulating resin: Elastomer (TPE)
- ✓ Resin color: Outdoor Black

- ✓ Turnbuckle: SUS304
- ✓ Bolt, Nut: SUS304
- ✓ Band body: SUS304
- ✓ Insulating resin: Elastomer (TPE)
- ✓ Resin color: Outdoor Black



Stainless steel Product No.	SU Type	Shipping Unit	MSRP per PCS
VP10112-0040	40	140	
VP10112-0050	50	100	
VP10112-0065	65	80	
VP10112-0075	75	60	
VP10112-0100	100	40	
VP10112-0125	125	20	
VP10112-0150	150	15	

Hot-dip galvanized Product No.	SU Type	Shipping Unit	MSRP per PCS
VP10115-0040	40	140	
VP10115-0050	50	100	
VP10115-0065	65	80	
VP10115-0075	75	60	
VP10115-0100	100	40	
VP10115-0125	125	20	
VP10115-0150	150	15	

Outdoor use Stainless Product No.	SU Type	Shipping Unit	MSRP per PCS
VP10114-0040	40	140	
VP10114-0050	50	100	
VP10114-0065	65	80	
VP10114-0075	75	60	
VP10114-0100	100	40	
VP10114-0125	125	20	
VP10114-0150	150	15	

EL FLATBAND® EL Flat Pipe Supporter NH attached

9005

Unichrome EL Flat pipe supporter for outdoor use PAT. 7253926 PAT. 7343447 D. 1639482

Rigid PVC Pipe
VP

Temperature range: -60°C to +98°C

- ✓ Bolt and Nut: Trivalent unichromate plating
- ✓ Band body: SUS430
- ✓ Insulating resin: Elastomer (TPE)
- ✓ Resin color: VP Gray

Elastomer ✓RoHS2
Rebro
2D CAD 3D CAD
Chlorine FREE in main material

FLATBAND trademarked by AWJ co., Ltd.

Unichrome Product No.	SU Type	Pipe Diameter	Plate WDH (W)	Plate THK (t)	Hanging Bolt	Bolt & Nut B,N	C	H	Inner (t')	Resin (W')	Weight	Qty.	Shipping Unit	MSRP per PCS
VP10210-0040	40	48	25	0.6	20	M6×20	47	72.4	1.5	28	63g	140	1 Box	
VP10210-0050	50	60	↑	↑	↑	↑	↑	78.6	1.7	↑	72g	100	↑	
VP10210-0065	65	76	↑	1.0	↑	↑	↑	87.8	2.0	↑	112g	60	↑	
VP10210-0075	75	89	↑	↑	↑	↑	↑	94.3	↑	↑	125g	50	↑	
VP10210-0100	100	114	↑	↑	↑	↑	↑	106.9	↑	↑	149g	30	↑	
VP10210-0125	125	139	32	1.5	25	M10×35	65	138.3	2.5	35	314g	20	↑	
VP10210-0150	150	165	↑	↑	↑	↑	↑	151.0	↑	↑	350g	15	↑	

Stainless steel Outdoor use EL Flat Pipe Supporter **Hot-dip galvanized** Outdoor use EL Flat Pipe Supporter **Stainless steel** Outdoor use EL FLAT Pipe Supporter

- ✓ Bolt, Nut: SUS304
- ✓ Band Body: SUS304
- ✓ Insulating resin: Elastomer (TPE)
- ✓ Resin color: VP Gray

- ✓ Bolt, Nut: Hot-dip galvanized
- ✓ Band body: SPCC Hot-dip galvanized
- ✓ Insulating resin: Elastomer (TPE)
- ✓ Resin color: Outdoor Black

- ✓ Bolt, Nut: SUS304
- ✓ Band body: SUS304
- ✓ Insulating resin: Elastomer (TPE)
- ✓ Resin color: Outdoor Black



Stainless steel Product No.	SU Type	Shipping Unit	MSRP per PCS
VP10211-0040	40	140	
VP10211-0050	50	100	
VP10211-0065	65	60	
VP10211-0075	75	50	
VP10211-0100	100	30	
VP10211-0125	125	20	
VP10211-0150	150	15	

Hot-dip galvanized Product No.	SU Type	Shipping Unit	MSRP per PCS
VP10215-0040	40	140	
VP10215-0050	50	100	
VP10215-0065	65	60	
VP10215-0075	75	50	
VP10215-0100	100	30	
VP10215-0125	125	20	
VP10215-0150	150	15	

Outdoor use Stainless Product No.	SU Type	Shipping Unit	MSRP per PCS
VP10214-0040	40	140	
VP10214-0050	50	100	
VP10214-0065	65	60	
VP10214-0075	75	50	
VP10214-0100	100	30	
VP10214-0125	125	20	
VP10214-0150	150	15	

FLATUBOLT® Flat U-Bolt

9006

Rigid PVC Pipe

VP

✓RoHS2 Elastomer

Rebro

-60°C +98°C

- ✓ U-bolt body: Trivalent unichromate plating
- ✓ Nut: Trivalent unichromate plating
- ✓ Insulating resin: Elastomer (TPE)
- ✓ Stabilizer Plate: Elastomer (TPE)
- ✓ Resin color: VP Gray

2D CAD 3D CAD

Chlorine FREE in main material

Unichrome Flat U-Bolt for outdoor use

FLATUBOLT trademarked by AWJ co., Ltd.

Unichrome Product No.	SU Type	Flat U-Bolt						Stabilizer plate			Weight	Qty.	Shipping Unit	MSRP per PCS
		D	P	d	H	A	W	b	C	t				
VP10340-0016	16	22	34	W3/8	54	26	25	59.7	7	1.5	9	300	1 Box	
VP10340-0020	20	26	40		60			66.5			9	200		
VP10340-0025	25	32	46		66			72.5			9	200		
VP10340-0030	30	38	49		70	25		75.5	7.5		9	150		
VP10340-0040	40	48	62		81			89			9	120		
VP10340-0050	50	60	74		93			101			9	90		
VP10340-0065	65	76	88		113	30		116			9	70		
VP10340-0075	75	89	101		126			129	8.5		9	55		
VP10340-0100	100	114	126		151			154			9	40		
VP10340-0125	125	139	154	W1/2	187	40	30	190	9.8	1.8	9	15		
VP10340-0150	150	165	182		214			218			9	15		
VP10340-0200	200	216	232		264			268			9	7		
VP10340-0250	250	267	286	W5/8	330	55	40	331	11	2.0	9	8		
VP10340-0300	300	318	341		391	65		386			9	7		

Stainless steel Outdoor use Flat U-Bolt

- ✓ U-bolt Body: SUS304
- ✓ Nut: SUS304
- ✓ Insulating resin: Elastomer (TPE)
- ✓ Stabilizer plate: Elastomer (TPE)
- ✓ Resin color: VP Gray

Hot-dip galvanized Outdoor use Flat U-Bolt

- ✓ U-bolt Body: Hot-dip galvanized
- ✓ Nut: Hot-dip galvanized
- ✓ Insulating resin: Elastomer (TPE)
- ✓ Stabilizer plate: Elastomer (TPE)
- ✓ Resin color: Outdoor Black

Stainless steel Outdoor use FLAT U-BOLT

- ✓ U-bolt Body: SUS304
- ✓ Nut: SUS304
- ✓ Insulating resin: Elastomer (TPE)
- ✓ Stabilizer plate: Elastomer (TPE)
- ✓ Resin color: Outdoor Black

Stainless steel Product No.	SU Type	Shipping Unit	MSRP per PCS
VP10342-0016	16	300	
VP10342-0020	20	200	
VP10342-0025	25	200	
VP10342-0030	30	150	
VP10342-0040	40	120	
VP10342-0050	50	90	
VP10342-0065	65	70	
VP10342-0075	75	55	
VP10342-0100	100	40	
VP10342-0125	125	15	
VP10342-0150	150	15	
VP10342-0200	200	7	
VP10342-0250	250	8	
VP10342-0300	300	7	

Hot-dip galvanized Product No.	SU Type	Shipping Unit	MSRP per PCS
VP10358-0016	16	300	
VP10358-0020	20	200	
VP10358-0025	25	200	
VP10358-0030	30	150	
VP10358-0040	40	120	
VP10358-0050	50	90	
VP10358-0065	65	70	
VP10358-0075	75	55	
VP10358-0100	100	40	
VP10358-0125	125	15	
VP10358-0150	150	15	
VP10358-0200	200	7	
VP10358-0250	250	8	
VP10358-0300	300	7	

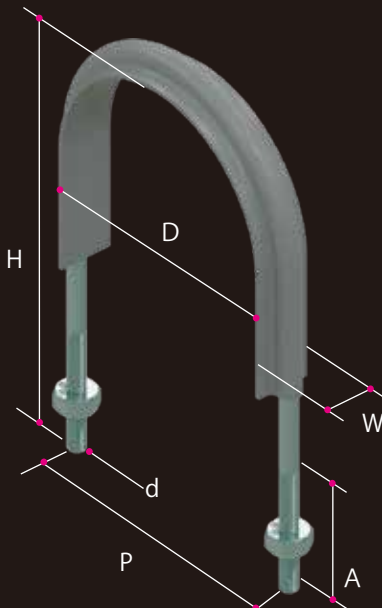

Outdoor use Stainless Product No.	SU Type	Shipping Unit	MSRP per PCS
VP10343-0016	16	300	
VP10343-0020	20	200	
VP10343-0025	25	200	
VP10343-0030	30	150	
VP10343-0040	40	120	
VP10343-0050	50	90	
VP10343-0065	65	70	
VP10343-0075	75	55	
VP10343-0100	100	40	
VP10343-0125	125	15	
VP10343-0150	150	15	
VP10343-0200	200	7	
VP10343-0250	250	8	
VP10343-0300	300	7	


FLATUBOLT® Flat U-Bolt High length +30, +50

9007

Unichrome Flat U-Bolt High length +30, +50
PAT. 7057244
Rigid PVC Pipe




VP








-60°C + 98°C

- ✓ U-Bolt body: Trivalent unichromate plating
- ✓ Nut: Trivalent unichromate plating
- ✓ Insulating resin: Elastomer (TPE)
- ✓ Resin color: VP Gray

Chlorine FREE in main material

FLATUBOLT trademarked by AWJ co., Ltd.

Unichrome		SU Type V P	Flat U-Bolt High length								Weight	Qty.	Shipping Unit	MSRP per PCS	
Product No. [+30]	[+50]		D	P	d	W	H	A	H	A				[+30]	[+50]
VP10349-0163	-0165	16	22	34	W3/8	25	73	50	93	50	9	200			
VP10349-0203	-0205	20	26	40			78		98	66	9	200			
VP10349-0253	-0255	25	32	46			87		107		9	200			
VP10349-0303	-0305	30	38	49			91		111		9	180			
VP10349-0403	-0405	40	48	62			102		122		9	150			
VP10349-0503	-0505	50	60	74			113		133		9	120			
VP10349-0653	-0655	65	76	88			135	55	155		9	100			
VP10349-0753	-0755	75	89	101			145		165		9	80			
VP10349-1003	-1005	100	114	126			173		193		9	50			
VP10349-1253	-1255	125	139	154	W1/2	30	204	65	224	65	9	30			
VP10349-1503	-1505	150	165	182			228		248		9	25			
VP10349-2003	-2005	200	216	232			280		300		9	20			
VP10349-2503	-2505	250	267	286	W5/8	40	336	80	356	80	9	15			
VP10349-3003	-3005	300	318	341			396	90	416	90	9	10			

Outdoor use Flat U-Bolt High length +30, +50

- Stainless steel**
- ✓ U-bolt Body: SUS304
 - ✓ Nut: SUS304
 - ✓ Insulating resin: Elastomer (TPE)
 - ✓ Resin color: VP Gray



Stainless steel		MSRP per PCS	
Product No. [+30]	[+50]	[+30]	[+50]
VP10350-0163	-0165		
VP10350-0203	-0205		
VP10350-0253	-0255		
VP10350-0303	-0305		
VP10350-0403	-0405		
VP10350-0503	-0505		
VP10350-0653	-0655		
VP10350-0753	-0755		
VP10350-1003	-1005		
VP10350-1253	-1255		
VP10350-1503	-1505		
VP10350-2003	-2005		
VP10350-2503	-2505		
VP10350-3003	-3005		

Outdoor use Flat U-Bolt High length +30, +50

- Hot-dip galvanized**
- ✓ U-bolt Body: Hot-dip galvanized
 - ✓ Nut: Hot-dip galvanized
 - ✓ Insulating resin: Elastomer (TPE)
 - ✓ Resin color: Outdoor Black



Hot-dip galvanized		MSRP per PCS	
Product No. [+30]	[+50]	[+30]	[+50]
VP10359-0163	-0165		
VP10359-0203	-0205		
VP10359-0253	-0255		
VP10359-0303	-0305		
VP10359-0403	-0405		
VP10359-0503	-0505		
VP10359-0653	-0655		
VP10359-0753	-0755		
VP10359-1003	-1005		
VP10359-1253	-1255		
VP10359-1503	-1505		
VP10359-2003	-2005		
VP10359-2503	-2505		
VP10359-3003	-3005		

Outdoor use Flat U-Bolt High length +30, +50

- Stainless steel**
- ✓ U-bolt Body: SUS304
 - ✓ Nut: SUS304
 - ✓ Insulating resin: Elastomer (TPE)
 - ✓ Resin color: Outdoor Black



Outdoor use Stainless		MSRP per PCS	
Product No. [+30]	[+50]	[+30]	[+50]
VP10354-0163	-0165		
VP10354-0203	-0205		
VP10354-0253	-0255		
VP10354-0303	-0305		
VP10354-0403	-0405		
VP10354-0503	-0505		
VP10354-0653	-0655		
VP10354-0753	-0755		
VP10354-1003	-1005		
VP10354-1253	-1255		
VP10354-1503	-1505		
VP10354-2003	-2005		
VP10354-2503	-2505		
VP10354-3003	-3005		

FLATBAND® EL Flat Pipe Hanger NH attached

9008

SGP pipe for water supply [Stainless pipe]

SGP pipe for hot-water supply [Stainless pipe]

Stainless pipe

SG

✓RoHS2 Elastomer

Rebro

2D
CAD

3D
CAD

Chlorine FREE in main material

PAT. 7253926 D. 1639482
PAT. 7343447

Unichrome EL Flat Pipe Hanger for outdoor use

Temperature range: ● -60°C ● +98°C

- ✓ Turnbuckle: Trivalent unichromate plating
- ✓ Bolt and nut: Trivalent unichromate plating
- ✓ Band body: SUS 430
- ✓ Insulating resin: Elastomer (TPE)
- ✓ Resin color: AWJ Blue

FLATBAND trademarked by AWJ co., Ltd.

Unichrome Product No.	SU Type	Pipe Diameter	Plate WDH (W)	Plate THK (t)	Hanging Bolt	Bolt & Nut B,N	C	H	Inner (t')	Resin (W')	Weight	Qty.	Shipping Unit	MSRP per PCS
SG10110-0015	15A	21.7	25	0.6	W3/8	M6×25	27	65.3	1.2	28	76g	200	1 Box	
SG10110-0020	20A	27.2	↑	↑	↑	↑	↑	68.6	↑	↑	80g	200	↑	
SG10110-0025	25A	34.0	↑	↑	↑	↑	↑	72.0	1.5	↑	85g	200	↑	
SG10110-0032	32A	42.7	↑	↑	↑	↑	↑	76.4	↑	↑	93g	160	↑	
SG10110-0040	40A	48.6	↑	↑	↑	↑	↑	79.4	↑	↑	95g	140	↑	
SG10110-0050	50A	60.5	↑	↑	↑	↑	↑	85.4	1.7	↑	105g	100	↑	
SG10110-0065	65A	76.3	↑	1.0	↑	M8×25	↑	95.4	2.0	↑	156g	80	↑	
SG10110-0080	80A	89.1	↑	↑	↑	↑	↑	101.8	↑	↑	165g	60	↑	
SG10110-0100	100A	114.3	↑	↑	↑	↑	↑	114.4	↑	↑	192g	40	↑	
SG10110-0125	125A	139.8	32	1.5	W1/2	M10×35	45	153.3	2.5	35	385g	20	↑	
SG10110-0150	150A	165.2	↑	↑	↑	↑	↑	166.1	↑	↑	423g	15	↑	

- Stainless steel Outdoor use** EL Flat Pipe Hanger

 - ✓ Turnbuckle: SUS304
 - ✓ Bolt, Nut: SUS304
 - ✓ Band Body: SUS304
 - ✓ Insulating resin: Elastomer (TPE)
 - ✓ Resin color: AWJ Blue

Hot-dip galvanized Outdoor use EL Flat Pipe Hanger

 - ✓ Turnbuckle: Hot-dip galvanized
 - ✓ Bolt, Nut: Hot-dip galvanized
 - ✓ Band body: SPCC Hot-dip galvanized
 - ✓ Insulating resin: Elastomer (TPE)
 - ✓ Resin color: Outdoor Black

Stainless steel Outdoor use EL FLAT Pipe Hanger

 - ✓ Turnbuckle: SUS304
 - ✓ Bolt, Nut: SUS304
 - ✓ Band body: SUS304
 - ✓ Insulating resin: Elastomer (TPE)
 - ✓ Resin color: Outdoor Black



Stainless steel Product No.	SU Type	Shipping Unit	MSRP per PCS
SG10112-0015	15A	200	
SG10112-0020	20A	200	
SG10112-0025	25A	200	
SG10112-0032	32A	160	
SG10112-0040	40A	140	
SG10112-0050	50A	100	
SG10112-0060	65A	80	
SG10112-0080	80A	60	
SG10112-0100	100A	40	
SG10112-0125	125A	20	
SG10112-0150	150A	15	

Hot-dip galvanized Product No.	SU Type	Shipping Unit	MSRP per PCS
SG10115-0015	15A	200	
SG10115-0020	20A	200	
SG10115-0025	25A	200	
SG10115-0032	32A	160	
SG10115-0040	40A	140	
SG10115-0050	50A	100	
SG10115-0065	65A	80	
SG10115-0080	80A	60	
SG10115-0100	100A	40	
SG10115-0125	125A	20	
SG10115-0150	150A	15	

Outdoor use Stainless Product No.	SU Type	Shipping Unit	MSRP per PCS
SG10114-0015	15A	200	
SG10114-0020	20A	200	
SG10114-0025	25A	200	
SG10114-0032	32A	160	
SG10114-0040	40A	140	
SG10114-0050	50A	100	
SG10114-0065	65A	80	
SG10114-0080	80A	60	
SG10114-0100	100A	40	
SG10114-0125	125A	20	
SG10114-0150	150A	15	

EL FLATBAND[®] EL Flat Pipe Supporter NH attached

9010

Unichrome EL Flat Pipe Supporter for outdoor use PAT. 7253926
PAT. 7343447
D. 1639482

Stainless pipe
SG

Resin color: AWJ blue

Temperature range: -60°C to +98°C

- ✓ Bolt: Trivalent unichromate plating
- ✓ Band body: SUS 430
- ✓ Insulating resin: Elastomer (TPE)
- ✓ Resin color: AWJ blue

Chlorine FREE in main material

Elastomer ✓RoHS2

2D CAD 3D CAD

Rebro

EL FLATBAND trademarked by AWJ co., Ltd.

Unichrome Product No.	SU Type	Pipe Diameter	Plate WDTH (W)	Plate THK (t)	Hanging Bolt	Bolt & Nut B,N	C	H	Inner (t')	Resin (W')	Weight	Qty.	Shipping Unit	MSRP per PCS
SG10210-0015	15A	21.7	25	0.6	20	M6×20	47	58.2	1.2	28	44g	200	1 Box	
SG10210-0020	20A	27.2	↑	↑	↑	↑	↑	61.1	↑	↑	47g	200	↑	
SG10210-0025	25A	34.0	↑	↑	↑	↑	↑	64.9	1.5	↑	52g	200	↑	
SG10210-0032	32A	42.7	↑	↑	↑	↑	↑	69.4	↑	↑	60g	160	↑	
SG10210-0040	40A	48.6	↑	↑	↑	↑	↑	72.4	↑	↑	63g	140	↑	
SG10210-0050	50A	60.5	↑	↑	↑	↑	↑	78.6	1.7	↑	72g	100	↑	
SG10210-0065	65A	76.3	↑	1.0	↑	↑	↑	87.8	2.0	↑	112g	60	↑	
SG10210-0080	80A	89.1	↑	↑	↑	↑	↑	94.3	↑	↑	125g	50	↑	
SG10210-0100	100A	114.3	↑	↑	↑	↑	↑	106.9	↑	↑	149g	30	↑	
SG10210-0125	125A	139.8	32	1.5	25	M10×35	65	138.3	2.5	35	314g	20	↑	
SG10210-0150	150A	165.2	↑	↑	↑	↑	↑	151.0	↑	↑	350g	15	↑	

- | | | |
|---|--|--|
| <p>Stainless steel Outdoor use EL Flat Pipe Supporter</p> <ul style="list-style-type: none"> ✓ Bolt, Nut: SUS304 ✓ Band Body: SUS304 ✓ Insulating resin: Elastomer (TPE) ✓ Resin color: AWJ Blue | <p>Hot-dip galvanized Outdoor use EL Flat Pipe Supporter</p> <ul style="list-style-type: none"> ✓ Bolt, Nut: Hot-dip galvanized ✓ Band body: SPCC Hot-dip galvanized ✓ Insulating resin: Elastomer (TPE) ✓ Resin color: Outdoor Black | <p>Stainless steel Outdoor use EL FLAT Pipe Supporter</p> <ul style="list-style-type: none"> ✓ Bolt, Nut: SUS304 ✓ Band body: SUS304 ✓ Insulating resin: Elastomer (TPE) ✓ Resin color: Outdoor Black |
|---|--|--|



Stainless steel Product No.	SU Type	Shipping Unit	MSRP per PCS
SG10211-0015	15A	200	
SG10211-0020	20A	200	
SG10211-0025	25A	180	
SG10211-0032	32A	160	
SG10211-0040	40A	140	
SG10211-0050	50A	100	
SG10211-0065	65A	60	
SG10211-0080	80A	50	
SG10211-0100	100A	30	
SG10211-0125	125A	20	
SG10211-0150	150A	15	

Hot-dip galvanized Product No.	SU Type	Shipping Unit	MSRP per PCS
SG10215-0015	15A	200	
SG10215-0020	20A	200	
SG10215-0025	25A	180	
SG10215-0032	32A	160	
SG10215-0040	40A	140	
SG10215-0050	50A	100	
SG10215-0065	65A	60	
SG10215-0080	80A	50	
SG10215-0100	100A	30	
SG10215-0125	125A	20	
SG10215-0150	150A	15	

Outdoor use Stainless Product No.	SU Type	Shipping Unit	MSRP per PCS
SG10214-0015	15A	200	
SG10214-0020	20A	200	
SG10214-0025	25A	180	
SG10214-0032	32A	160	
SG10214-0040	40A	140	
SG10214-0050	50A	100	
SG10214-0065	65A	60	
SG10214-0080	80A	50	
SG10214-0100	100A	30	
SG10214-0125	125A	20	
SG10214-0150	150A	15	

FLATUBOLT® Flat U-Bolt

9010

Stainless pipe

PAT. 7057244
PAT. 7254015

Unichrome Flat U-Bolt for outdoor use

SG

✓RoHS2

Elastomer

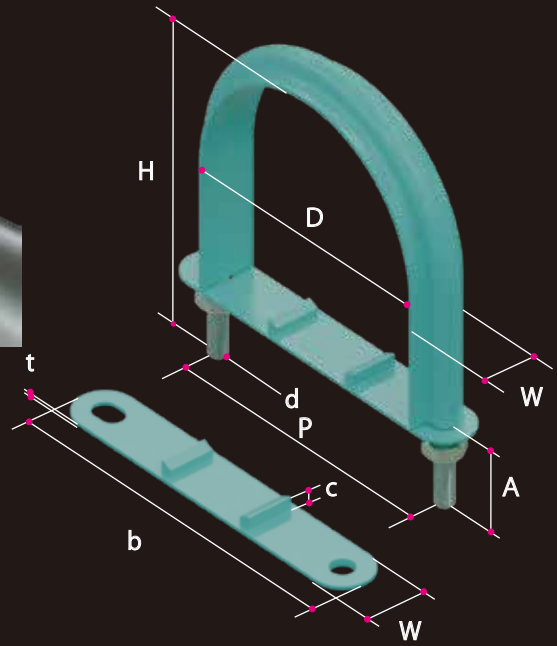
Rebro

2D CAD 3D CAD

Chlorine FREE in main material

- -60°C ● +98°C
- ✓ U-Bolt body: Trivalent unichromate plating
- ✓ Nut: Trivalent unichromate plating
- ✓ Insulating resin: Elastomer (TPE)
- ✓ Stabilizer plate: Elastomer (TPE)
- ✓ Resin color: AWJ blue

FLATUBOLT is the Trademark of AWJ Co., Ltd.



Unichrome Product No.	SU Type	Flat U-Bolt						Stabilizer plate			Weight	Qty.	Shipping Unit	MSRP per PCS
		D	P	d	H	A	W	b	C	t				
SG10340-0015	15A	21.7	34	W3/8	54	26	25	59.5	7	1.5	9	300	1 Box	
SG10340-0020	20A	27.2	40	↑	60	↑	↑	66.5	↑	↑	9	200		
SG10340-0025	25A	34.0	46	↑	66	↑	↑	72.5	↑	↑	9	200		
SG10340-0032	32A	42.7	56	↑	75	25	↑	83	7.5	↑	9	150		
SG10340-0040	40A	48.7	62	↑	81	↑	↑	89	↑	↑	9	120		
SG10340-0050	50A	60.5	74	↑	93	↑	↑	101	↑	↑	9	90		
SG10340-0065	65A	76.3	88	↑	113	30	↑	116	↑	↑	9	70		
SG10340-0080	80A	89.1	101	↑	126	↑	↑	129	8.5	↑	9	55		
SG10340-0100	100A	114.3	126	↑	151	↑	↑	154	↑	↑	9	40		
SG10340-0125	125A	139.8	154	W1/2	187	40	30	190	9.8	1.8	9	15		
SG10340-0150	150A	165.2	182	↑	214	↑	↑	218	↑	↑	9	15		
SG10340-0200	200A	216.3	232	↑	264	↑	↑	268	↑	↑	9	7		
SG10340-0250	250A	267.4	286	W5/8	330	55	40	331	11	2.0	9	8		
SG10340-0300	300A	318.5	341	↑	391	65	↑	386	↑	↑	9	7		

Stainless steel Outdoor use Flat U-Bolt

- ✓ U-bolt Body: SUS304
- ✓ Nut: SUS304
- ✓ Insulating resin: Elastomer (TPE)
- ✓ Stabilizer plate: Elastomer (TPE)
- ✓ Resin color: AWJ Blue



Hot-dip galvanized Outdoor use Flat U-Bolt

- ✓ U-bolt Body: Hot-dip galvanized
- ✓ Nut: Hot-dip galvanized
- ✓ Insulating resin: Elastomer (TPE)
- ✓ Stabilizer plate: Elastomer (TPE)
- ✓ Resin color: Outdoor Black



Stainless steel Outdoor use FLAT U-BOLT

- ✓ U-bolt Body: SUS304
- ✓ Nut: SUS304
- ✓ Insulating resin: Elastomer (TPE)
- ✓ Stabilizer plate: Elastomer (TPE)
- ✓ Resin color: Outdoor Black



Stainless steel Product No.	SU Type	Shipping Unit	MSRP per PCS
SG10342-0015	15A	300	
SG10342-0020	20A	200	
SG10342-0025	25A	200	
SG10342-0032	32A	150	
SG10342-0040	40A	120	
SG10342-0050	50A	90	
SG10342-0065	65A	70	
SG10342-0080	80A	55	
SG10342-0100	100A	40	
SG10342-0125	125A	15	
SG10342-0150	150A	15	
SG10342-0200	200A	7	
SG10342-0250	250A	8	
SG10342-0300	300A	7	

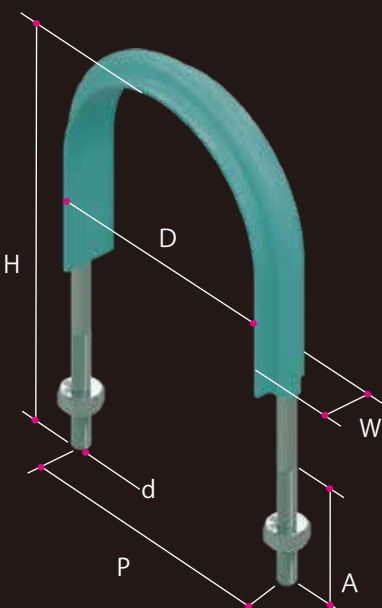
Hot-dip galvanized Product No.	SU Type	Shipping Unit	MSRP per PCS
SG10358-0015	15A	300	
SG10358-0020	20A	200	
SG10358-0025	25A	200	
SG10358-0032	32A	150	
SG10358-0040	40A	120	
SG10358-0050	50A	90	
SG10358-0065	65A	70	
SG10358-0080	80A	55	
SG10358-0100	100A	40	
SG10358-0125	125A	15	
SG10358-0150	150A	15	
SG10358-0200	200A	7	
SG10358-0250	250A	8	
SG10358-0300	300A	7	

Outdoor use Stainless Product No.	SU Type	Shipping Unit	MSRP per PCS
SG10343-0015	15A	300	
SG10343-0020	20A	200	
SG10343-0025	25A	200	
SG10343-0032	32A	150	
SG10343-0040	40A	120	
SG10343-0050	50A	90	
SG10343-0065	65A	70	
SG10343-0080	80A	55	
SG10343-0100	100A	40	
SG10343-0125	125A	15	
SG10343-0150	150A	15	
SG10343-0200	200A	7	
SG10343-0250	250A	8	
SG10343-0300	300A	7	

FLATUBOLT® Flat U-Bolt High length +30, +50

9011


Unichrome Flat U-Bolt High length +30, +50



PAT. 7057244

Stainless pipe

S G



Elastomer ✓RoHS2

●
●
●
●
●
●
●
●
●
●

-60°C +98°C

- ✓ U-Bolt body: Trivalent unichromate plating
- ✓ Nut: Trivalent unichromate plating
- ✓ Insulating resin: Elastomer (TPE)
- ✓ Resin color: AWJ blue

2D
CAD

3D
CAD

Chlorine FREE in main material

FLATUBOLT trademarked by AWJ co., Ltd.

Unichrome		SU Type	Flat U-Bolt High length				+30		+50		Weight	Qty.	Shipping Unit	MSRP per PCS	
Product No. [+30]	[+50]		D	P	d	W	H	A	H	A				[+30]	[+50]
SG10349-0153	-0155	15A	21.7	34	W3/8	25	74	50	94	50	g	200			
SG10349-0203	-0205	20A	27.2	40			79		99	66	g	200			
SG10349-0253	-0255	25A	34.0	46			87		107		g	200			
SG10349-0323	-0325	32A	42.7	56			96		116		g	180			
SG10349-0403	-0405	40A	48.7	62			102		122		g	150			
SG10349-0503	-0505	50A	60.5	74			113		133		g	120			
SG10349-0653	-0655	65A	76.3	88			135	55	155		g	100			
SG10349-0803	-0805	80A	89.1	101			145		165		g	80			
SG10349-1003	-1005	100A	114.3	126			173		193		g	50			
SG10349-1253	-1255	125A	139.8	154	W1/2	30	204	65	224	65	g	30			
SG10349-1503	-1505	150A	165.2	182			228		248		g	25			
SG10349-2003	-2005	200A	216.3	232			280		300		g	20			
SG10349-2503	-2505	250A	267.4	286	W5/8	40	336	80	356	80	g	15			
SG10349-3003	-3005	300A	318.5	341			396	90	416	90	g	10			

Outdoor use Flat U-Bolt High length +30, +50

Stainless steel

- ✓ U-bolt Body: SUS304
- ✓ Nut: SUS304
- ✓ Insulating resin: Elastomer (TPE)
- ✓ Resin color: AWJ Blue



Stainless steel		MSRP per PCS	
Product No. [+30]	[+50]	[+30]	[+50]
SG10350-0153	-0155		
SG10350-0203	-0205		
SG10350-0253	-0255		
SG10350-0323	-0325		
SG10350-0403	-0405		
SG10350-0503	-0505		
SG10350-0653	-0655		
SG10350-0803	-0805		
SG10350-1003	-1005		
SG10350-1253	-1255		
SG10350-1503	-1505		
SG10350-2003	-2005		
SG10350-2503	-2505		
SG10350-3003	-3005		

Outdoor use Flat U-Bolt High length +30, +50

Hot-dip galvanized

- ✓ U-bolt Body: Hot-dip galvanized
- ✓ Nut: Hot-dip galvanized
- ✓ Insulating resin: Elastomer (TPE)
- ✓ Resin color: Outdoor Black



Hot-dip galvanized		MSRP per PCS	
Product No. [+30]	[+50]	[+30]	[+50]
SG10359-0153	-0155		
SG10359-0203	-0205		
SG10359-0253	-0255		
SG10359-0323	-0325		
SG10359-0403	-0405		
SG10359-0503	-0505		
SG10359-0653	-0655		
SG10359-0803	-0805		
SG10359-1003	-1005		
SG10359-1253	-1255		
SG10359-1503	-1505		
SG10359-2003	-2005		
SG10359-2503	-2505		
SG10359-3003	-3005		

Outdoor use Flat U-Bolt High length +30, +50

Stainless steel

- ✓ U-bolt Body: SUS304
- ✓ Nut: SUS304
- ✓ Insulating resin: Elastomer (TPE)
- ✓ Resin color: Outdoor Black



Outdoor use Stainless		MSRP per PCS	
Product No. [+30]	[+50]	[+30]	[+50]
SG10354-0153	-0155		
SG10354-0203	-0205		
SG10354-0253	-0255		
SG10354-0323	-0325		
SG10354-0403	-0405		
SG10354-0503	-0505		
SG10354-0653	-0655		
SG10354-0803	-0805		
SG10354-1003	-1005		
SG10354-1253	-1255		
SG10354-1503	-1505		
SG10354-2003	-2005		
SG10354-2503	-2505		
SG10354-3003	-3005		

EL FLATBAND® EL Flat Pipe Hanger NH attached

9012

Super Tough-Poly

PAT. 7253926 D. 1639482
PAT. 7343447

Unichrome EL Flat Pipe Hanger for outdoor use

TP

✓RoHS2

Elastomer

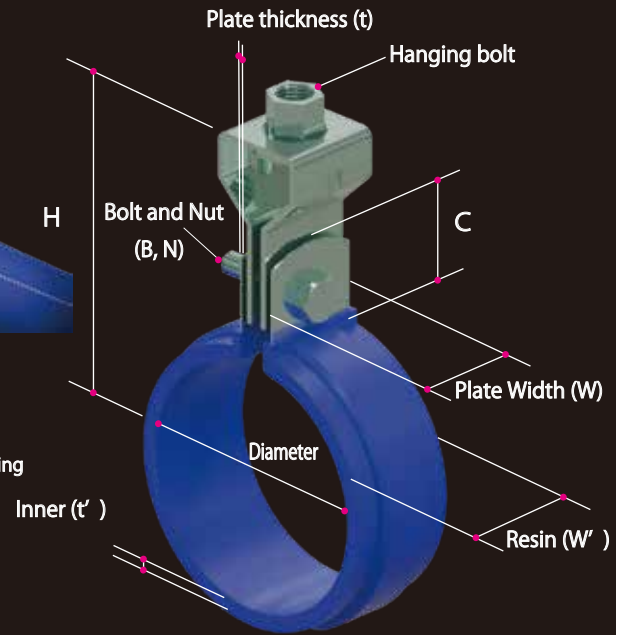
Rebro

-60°C +98°C

2D CAD 3D CAD

Chlorine FREE in main material

- ✓ Turnbuckle: Trivalent unichromate plating
- ✓ Bolt: Trivalent unichromate plating
- ✓ Band body: SUS 430
- ✓ Insulating resin: Elastomer (TPE)
- ✓ Resin color: Super Tough-Poly Blue



EL FLATBAND trademarked by AWJ co., Ltd.

Unichrome Product No.	SU Type	Pipe Diameter	Plate WDH (W)	Plate THK (t)	Hanging Bolt	Bolt & Nut B,N	C	H	Inner (t')	Resin (W')	Weight	Qty.	Shipping Unit	MSRP per PCS
TP10110-0020	20	27	25	0.6	W3/8	M6×25	27	68.6	1.2	28	80g	200	1 Box	
TP10110-0025	25	32	↑	↑	↑	↑	↑	72.0	2.5	↑	85g	200	↑	
TP10110-0030	30	40	↑	↑	↑	↑	↑	76.4	2.8	↑	93g	160	↑	
TP10110-0040	40	50	↑	↑	↑	↑	↑	80.5	1.5	↑	95g	140	↑	
TP10110-0050	50	63	↑	↑	↑	↑	↑	85.4	1.7	↑	105g	100	↑	
TP10110-0065	65	75	↑	1.0	↑	M8×25	↑	95.4	2.6	↑	156g	80	↑	
TP10110-0075	75	90	↑	↑	↑	↑	↑	101.8	1.5	↑	165g	60	↑	
TP10110-0100	100	125	↑	↑	↑	↑	↑	120.1	2.5	↑	192g	40	↑	
TP10110-0125	125	160	32	1.5	W1/2	M10×35	45	163.4	↑	35	385g	20	↑	
TP10110-0150	150	180	↑	↑	↑	↑	↑	174.5	↑	↑	423g	15	↑	

Stainless steel Outdoor use EL Flat Pipe Hanger **Hot-dip galvanized Outdoor use** EL Flat Pipe Hanger **Stainless steel Outdoor use** EL FLAT Pipe Hanger

- ✓ Turnbuckle: SUS304
- ✓ Bolt, Nut: SUS304
- ✓ Band Body: SUS304
- ✓ Insulating resin: Elastomer (TPE)
- ✓ Resin color: Tough-Poly Blue

- ✓ Turnbuckle: Hot-dip galvanized
- ✓ Bolt, Nut: Hot-dip galvanized
- ✓ Band body: SPCC Hot-dip galvanized
- ✓ Insulating resin: Elastomer (TPE)
- ✓ Resin color: Outdoor Black

- ✓ Turnbuckle: SUS304
- ✓ Bolt, Nut: SUS304
- ✓ Band body: SUS304
- ✓ Insulating resin: Elastomer (TPE)
- ✓ Resin color: Outdoor Black



Stainless steel Product No.	SU Type	Shipping Unit	MSRP per PCS
TP10112-0020	20	200	
TP10112-0025	25	200	
TP10112-0030	30	160	
TP10112-0040	40	140	
TP10112-0050	50	100	
TP10112-0065	65	80	
TP10112-0075	75	60	
TP10112-0100	100	40	
TP10112-0125	125	20	
TP10112-0150	150	15	

Hot-dip galvanized Product No.	SU Type	Shipping Unit	MSRP per PCS
TP10115-0020	20	200	
TP10115-0025	25	200	
TP10115-0030	30	160	
TP10115-0040	40	140	
TP10115-0050	50	100	
TP10115-0065	65	80	
TP10115-0075	75	60	
TP10115-0100	100	40	
TP10115-0125	125	20	
TP10115-0150	150	15	

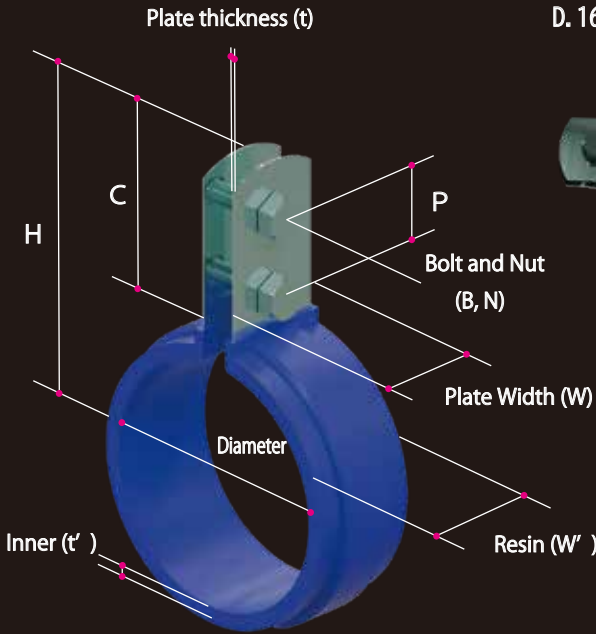
Outdoor use Stainless Product No.	SU Type	Shipping Unit	MSRP per PCS
TP10114-0020	20	200	
TP10114-0025	25	200	
TP10114-0030	30	160	
TP10114-0040	40	140	
TP10114-0050	50	100	
TP10114-0065	65	80	
TP10114-0075	75	60	
TP10114-0100	100	40	
TP10114-0125	125	20	
TP10114-0150	150	15	

EL FLATBAND[®] EL Flat Pipe Supporter NH attached

9013

Unichrome EL Flat Pipe Supporter for outdoor use PAT. 7253926
PAT. 7343447
D. 1639482

Super Tough-Poly
TP



Elastomer

✓RoHS2

Rebro

-60°C +98°C

2D CAD

3D CAD

- ✓ Bolt: Trivalent unichromate plating
- ✓ Band body: SUS 430
- ✓ Insulating resin: Elastomer (TPE)
- ✓ Resin color: Super Tough-Poly blue

Chlorine FREE in main material

EL FLATBAND trademarked by AWJ co., Ltd.

Unichrome Product No.	SU Type	Pipe Diameter	Plate WDH (W)	Plate THK (t)	Hanging Bolt	Bolt & Nut B,N	C	H	Inner (t')	Resin (W')	Weight	Qty.	Shipping Unit	MSRP per PCS
TP10210-0020	20	27	25	0.6	20	M6×20	47	61.0	1.2	28	9	200	1 Box	
TP10210-0025	25	32	↑	↑	↑	↑	↑	64.9	1.5	↑	9	180	↑	
TP10210-0030	30	40	↑	↑	↑	↑	↑	69.4	↑	↑	9	160	↑	
TP10210-0040	40	50	↑	↑	↑	↑	↑	72.4	↑	↑	9	140	↑	
TP10210-0050	50	63	↑	↑	↑	↑	↑	78.6	1.7	↑	9	100	↑	
TP10210-0065	65	75	↑	1.0	↑	↑	↑	87.8	2.0	↑	9	60	↑	
TP10210-0075	75	90	↑	↑	↑	↑	↑	94.3	↑	↑	9	50	↑	
TP10210-0100	100	125	↑	↑	↑	↑	↑	106.9	↑	↑	9	30	↑	
TP10210-0125	125	160	32	1.5	25	M10×35	65	138.3	2.5	35	9	20	↑	
TP10210-0150	150	180	↑	↑	↑	↑	↑	151.0	↑	↑	9	15	↑	

Stainless steel Outdoor use EL Flat Pipe Supporter

Hot-dip galvanized Outdoor use EL Flat Pipe Supporter

Stainless steel Outdoor use EL FLAT Pipe Supporter

- ✓ Bolt, Nut: SUS304
- ✓ Band Body: SUS304
- ✓ Insulating resin: Elastomer (TPE)
- ✓ Resin color: Tough-Poly Blue

- ✓ Bolt, Nut: Hot-dip galvanized
- ✓ Band body: SPCC Hot-dip galvanized
- ✓ Insulating resin: Elastomer (TPE)
- ✓ Resin color: Outdoor Black

- ✓ Bolt, Nut: SUS304
- ✓ Band body: SUS304
- ✓ Insulating resin: Elastomer (TPE)
- ✓ Resin color: Outdoor Black



Stainless steel Product No.	SU Type	Shipping Unit	MSRP per PCS
TP10211-0020	20	200	
TP10211-0025	25	180	
TP10211-0030	30	160	
TP10211-0040	40	140	
TP10211-0050	50	100	
TP10211-0065	65	60	
TP10211-0075	75	50	
TP10211-0100	100	30	
TP10211-0125	125	20	
TP10211-0150	150	15	

Hot-dip galvanized Product No.	SU Type	Shipping Unit	MSRP per PCS
TP10215-0020	20	200	
TP10215-0025	25	180	
TP10215-0030	30	160	
TP10215-0040	40	140	
TP10215-0050	50	100	
TP10215-0065	65	60	
TP10215-0075	75	50	
TP10215-0100	100	30	
TP10215-0125	125	20	
TP10215-0150	150	15	

Outdoor use Stainless Product No.	SU Type	Shipping Unit	MSRP per PCS
TP10214-0020	20	200	
TP10214-0025	25	180	
TP10214-0030	30	160	
TP10214-0040	40	140	
TP10214-0050	50	100	
TP10214-0065	65	60	
TP10214-0075	75	50	
TP10214-0100	100	30	
TP10214-0125	125	20	
TP10214-0150	150	15	

Super Tough-Poly

PAT. 7057244
PAT. 7254015

Unichrome Flat U-Bolt for outdoor use

TP

✓RoHS2

Elastomer

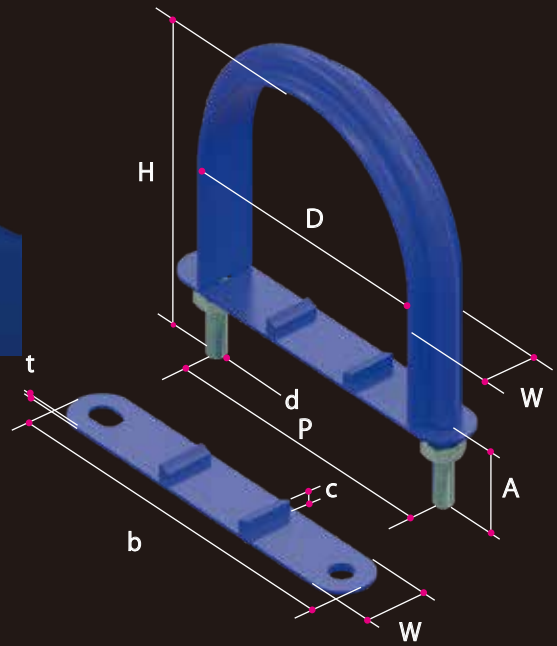
Rebro

2D CAD 3D CAD

Chlorine FREE in main material

-
- ✓ U-Bolt body: Trivalent unichromate plating
- ✓ Nut: Trivalent unichromate plating
- ✓ Insulating resin: Elastomer (TPE)
- ✓ Stabilizer plate: Elastomer (TPE)
- ✓ Resin color: Super Tough-Poly blue

FLATUBOLT is the Trademark of AWJ Co., Ltd.



Unichrome Product No.	SU Type	Flat U-Bolt						Stabilizer plate			Weight	Qty.	Shipping Unit	MSRP per PCS
		D	P	d	H	A	W	b	C	t				
TP10340-0020	20	27	40	W3/8	60	26	25	66.5	7	1.5	g	200	1 Box	
TP10340-0025	25	32	46		66	↑		72.5	↑		g	200		
TP10340-0030	30	40	56		75	25		83	7.5		g	150		
TP10340-0040	40	50	62		81	↑		89	↑		g	120		
TP10340-0050	50	63	74		93			101			g	90		
TP10340-0065	65	75	88		113	30		116			g	70		
TP10340-0075	75	90	101		126			129	8.5		g	55		
TP10340-0100	100	125	137		163	↑		165	↑		g	40		
TP10340-0125	125	160	177	W1/2	208	40	30	214	9.8	1.8	g	15		
TP10340-0150	150	180	195		228	↑		231	↑		g	15		
TP10340-0200	200	250	266		298	↑		302	↑		g	7		
TP10340-0250	250	315	341	W5/8	388	65	40	386	11	2.0	g	7		

Stainless steel Outdoor use Flat U-Bolt

- ✓ U-bolt Body: SUS304
- ✓ Nut: SUS304
- ✓ Insulating resin: Elastomer (TPE)
- ✓ Stabilizer plate: Elastomer (TPE)
- ✓ Resin color: Tough-Poly Blue



Hot-dip galvanized Outdoor use Flat U-Bolt

- ✓ U-bolt Body: Hot-dip galvanized
- ✓ Nut: Hot-dip galvanized
- ✓ Insulating resin: Elastomer (TPE)
- ✓ Stabilizer plate: Elastomer (TPE)
- ✓ Resin color: Outdoor Black



Stainless steel Outdoor use FLAT U-BOLT

- ✓ U-bolt Body: SUS304
- ✓ Nut: SUS304
- ✓ Insulating resin: Elastomer (TPE)
- ✓ Stabilizer plate: Elastomer (TPE)
- ✓ Resin color: Outdoor Black



Stainless steel Product No.	SU Type	Shipping Unit	MSRP per PCS
TP10342-0020	20	200	
TP10342-0025	25	200	
TP10342-0030	30	150	
TP10342-0040	40	120	
TP10342-0050	50	90	
TP10342-0065	65	70	
TP10342-0075	75	55	
TP10342-0100	100	40	
TP10342-0125	125	15	
TP10342-0150	150	15	
TP10342-0200	200	7	
TP10342-0250	250	7	

Hot-dip galvanized Product No.	SU Type	Shipping Unit	MSRP per PCS
TP10358-0020	20	200	
TP10358-0025	25	200	
TP10358-0030	30	150	
TP10358-0040	40	120	
TP10358-0050	50	90	
TP10358-0065	65	70	
TP10358-0075	75	55	
TP10358-0100	100	40	
TP10358-0125	125	15	
TP10358-0150	150	15	
TP10358-0200	200	7	
TP10358-0250	250	7	

Outdoor use Stainless Product No.	SU Type	Shipping Unit	MSRP per PCS
TP10343-0020	20	200	
TP10343-0025	25	200	
TP10343-0030	30	150	
TP10343-0040	40	120	
TP10343-0050	50	90	
TP10343-0065	65	70	
TP10343-0075	75	55	
TP10343-0100	100	40	
TP10343-0125	125	15	
TP10343-0150	150	15	
TP10343-0200	200	7	
TP10343-0250	250	7	

FLATUBOLT® Flat U-Bolt High length +30,+50

9015

Unichrome Flat U-Bolt High length +30,+50 **PAT. 7057244** **Super Tough-Poly**

TP

Elastomer ✓RoHS2

Rebro

-60°C +98°C

- ✓ U-Bolt body: Trivalent unichromate plating
- ✓ Nut: Trivalent unichromate plating
- ✓ Insulating resin: Elastomer (TPE)
- ✓ Resin color: Super Tough-Poly blue

Chlorine FREE in main material

2D CAD 3D CAD

FLATUBOLT trademarked by AWJ co., Ltd.

Unichrome		SU Type	Flat U-Bolt High length				+30		+50		Weight	Qty.	Shipping Unit	MSRP per PCS	
Product No. [+30]	[+50]		D	P	d	W	H	A	H	A					
TP10349-0203	-0205	20	27	40	W3/8	25	79	50	99	66	g	200	1 Box	\$7.17	
TP10349-0253	-0255	25	32	46	↑	↑	87	↑	107	↑	g	200	↑	\$7.76	
TP10349-0303	-0305	30	40	56	↑	↑	96	↑	116	↑	g	150	↑	\$8.08	
TP10349-0403	-0405	40	50	62	↑	↑	102	↑	122	↑	g	120	↑	\$8.25	
TP10349-0503	-0505	50	63	74	↑	↑	113	↑	133	↑	g	90	↑	\$8.58	
TP10349-0653	-0655	65	75	88	↑	↑	135	55	155	↑	g	70	↑	\$9.17	
TP10349-0753	-0755	75	90	101	↑	↑	145	↑	165	↑	g	55	↑	\$9.67	
TP10349-1003	-1005	100	125	137	↑	↑	173	↑	193	↑	g	40	↑	\$10.25	
TP10349-1253	-1255	125	160	177	W1/2	30	224	65	244	65	g	15	↑	\$24.83	
TP10349-1503	-1505	150	180	195	↑	↑	244	↑	264	↑	g	15	↑	\$30.58	
TP10349-2003	-2005	200	250	266	↑	↑	314	↑	334	↑	g	7	↑	\$40.08	
TP10349-2503	-2505	250	315	341	W5/8	40	336	90	416	90	g	7	↑	\$51.00	

Outdoor use Flat U-Bolt High length +30,+50

- ✓ U-bolt Body: SUS304
- ✓ Nut: SUS304
- ✓ Insulating resin: Elastomer (TPE)
- ✓ Resin color: Super Tough-Poly Blue



Stainless steel		MSRP per PCS	
Product No. [+30]	[+50]	[+30]	[+50]
TP10350-0203	-0205		
TP10350-0253	-0255		
TP10350-0303	-0305		
TP10350-0403	-0405		
TP10350-0503	-0505		
TP10350-0653	-0655		
TP10350-0753	-0755		
TP10350-1003	-1005		
TP10350-1253	-1255		
TP10350-1503	-1505		
TP10350-2003	-2005		
TP10350-2503	-2505		

Outdoor use Flat U-Bolt High length +30,+50

- ✓ U-bolt Body: Hot-dip galvanized
- ✓ Nut: Hot-dip galvanized
- ✓ Insulating resin: Elastomer (TPE)
- ✓ Resin color: Outdoor Black



Hot-dip galvanized		MSRP per PCS	
Product No. [+30]	[+50]	[+30]	[+50]
TP10359-0203	-0205		
TP10359-0253	-0255		
TP10359-0303	-0305		
TP10359-0403	-0405		
TP10359-0503	-0505		
TP10359-0653	-0655		
TP10359-0753	-0755		
TP10359-1003	-1005		
TP10359-1253	-1255		
TP10359-1503	-1505		
TP10359-2003	-2005		
TP10359-2503	-2503		

Outdoor use Flat U-Bolt High length +30,+50

- ✓ U-bolt Body: SUS304
- ✓ Nut: SUS304
- ✓ Insulating resin: Elastomer (TPE)
- ✓ Resin color: Outdoor Black



Outdoor use Stainless		MSRP per PCS	
Product No. [+30]	[+50]	[+30]	[+50]
TP10354-0203	-0205		
TP10354-0253	-0255		
TP10354-0303	-0305		
TP10354-0403	-0405		
TP10354-0503	-0505		
TP10354-0653	-0655		
TP10354-0753	-0755		
TP10354-1003	-1005		
TP10354-1253	-1255		
TP10354-1503	-1505		
TP10354-2003	-2005		
TP10354-2503	-2505		

EL FLATBAND[®] EL Flat Pipe Hanger NH attached

9016

PE pipe for water supply [Polyethylene Pipe for water supply]

Polyethylene Pipe

PE

PAT. 7253926 D. 1639482
PAT. 7343447

Unichrome EL Flat Pipe Hanger for outdoor use

✓RoHS2 Elastomer

Rebro'

2D CAD 3D CAD

Chlorine FREE in main material

-60°C +98°C

- ✓ Turnbuckle: Trivalent unichromate plating
- ✓ Bolt: Trivalent unichromate plating
- ✓ Band body: SUS 430
- ✓ Insulating resin: Elastomer (TPE)
- ✓ Resin color: AWJ blue

EL FLATBAND trademarked by AWJ co., Ltd.

Unichrome Product No.	SU Type	Pipe Diameter	Plate WDH (W)	Plate THK (t)	Hanging Bolt	Bolt & Nut B, N	C	H	Inner (t')	Resin (W')	Weight	Qty.	Shipping Unit	MSRP per PCS
PE10110-0020	20	27	25	0.6	W3/8	M6×25	27	68.6	1.2	28	80g	200	1 Box	
PE10110-0025	25	34	↑	↑	↑	↑	↑	72.0	1.5	↑	85g	200		
PE10110-0030	30	42	↑	↑	↑	↑	↑	76.4	↑	↑	93g	160		
PE10110-0040	40	48	↑	↑	↑	↑	↑	79.4	↑	↑	95g	140		
PE10110-0050	50	60	↑	↑	↑	↑	↑	85.4	1.7	↑	105g	100		
PE10110-0065	65	76	↑	1.0	↑	M8×25	↑	95.4	2.0	↑	156g	80		
PE10110-0075	75	89	↑	↑	↑	↑	↑	101.8	↑	↑	165g	60		
PE10110-0100	100	114	↑	↑	↑	↑	↑	114.4	↑	↑	192g	40		
PE10110-0125	125	139	32	1.5	W1/2	M10×35	45	153.3	2.5	35	385g	20		
PE10110-0150	150	165	↑	↑	↑	↑	↑	166.1	↑	↑	423g	15		

Stainless steel Outdoor use EL Flat Pipe Hanger **Hot-dip galvanized Outdoor use** EL Flat Pipe Hanger **Stainless steel Outdoor use** EL FLAT Pipe Hanger

- ✓ Turnbuckle: SUS304
- ✓ Bolt, Nut: SUS304
- ✓ Band Body: SUS304
- ✓ Insulating resin: Elastomer (TPE)
- ✓ Resin color: AWJ Blue

- ✓ Turnbuckle: Hot-dip galvanized
- ✓ Bolt, Nut: Hot-dip galvanized
- ✓ Band body: SPCC Hot-dip galvanized
- ✓ Insulating resin: Elastomer (TPE)
- ✓ Resin color: Outdoor Black

- ✓ Turnbuckle: SUS304
- ✓ Bolt, Nut: SUS304
- ✓ Band body: SUS304
- ✓ Insulating resin: Elastomer (TPE)
- ✓ Resin color: Outdoor Black



Stainless steel Product No.	SU Type	Shipping Unit	MSRP per PCS
PE10112-0020	20	200	
PE10112-0025	25	200	
PE10112-0030	30	160	
PE10112-0040	40	140	
PE10112-0050	50	100	
PE10112-0065	65	80	
PE10112-0075	75	60	
PE10112-0100	100	40	
PE10112-0125	125	20	
PE10112-0150	150	15	

Hot-dip galvanized Product No.	SU Type	Shipping Unit	MSRP per PCS
PE10115-0020	20	200	
PE10115-0025	25	200	
PE10115-0030	30	160	
PE10115-0040	40	140	
PE10115-0050	50	100	
PE10115-0065	65	80	
PE10115-0075	75	60	
PE10115-0100	100	40	
PE10115-0125	125	20	
PE10115-0150	150	15	

Outdoor use Stainless Product No.	SU Type	Shipping Unit	MSRP per PCS
PE10114-0020	20	200	
PE10114-0025	25	200	
PE10114-0030	30	160	
PE10114-0040	40	140	
PE10114-0050	50	100	
PE10114-0065	65	80	
PE10114-0075	75	60	
PE10114-0100	100	40	
PE10114-0125	125	20	
PE10114-0150	150	15	

EL FLATBAND® EL Flat Pipe Supporter NH attached

9017

Unichrome EL Flat Pipe Supporter for outdoor use PAT. 7253926 PAT. 7343447 D. 1639482

Polyethylene Pipe **PE**

✓ Bolt: Trivalent unichromate plating
 ✓ Band body: SUS 430
 ✓ Insulating resin: Elastomer (TPE)
 ✓ Resin color: AWJ blue

Elastomer ✓RoHS2
 Rebro
 2D CAD 3D CAD

Chlorine FREE in main material

EL FLATBAND trademarked by AWJ co., Ltd.

Unichrome Product No.	SU Type	Pipe Diameter	Plate WDH (W)	Plate THK (t)	Hanging Bolt	Bolt & Nut B,N	C	H	Inner (t')	Resin (W')	Weight	Qty.	Shipping Unit	MSRP per PCS
PE10210-0020	20	27	25	0.6	20	M6×20	47	61.8	1.2	28	47g	200	1 Box	
PE10210-0025	25	34	↑	↑	↑	↑	↑	64.9	1.5	↑	52g	180	↑	
PE10210-0030	30	42	↑	↑	↑	↑	↑	69.4	↑	↑	60g	160	↑	
PE10210-0040	40	48	↑	↑	↑	↑	↑	72.4	↑	↑	63g	140	↑	
PE10210-0050	50	60	↑	↑	↑	↑	↑	78.6	1.7	↑	72g	100	↑	
PE10210-0065	65	76	↑	1.0	↑	↑	↑	87.8	2.0	↑	112g	60	↑	
PE10210-0075	75	89	↑	↑	↑	↑	↑	94.3	↑	↑	125g	50	↑	
PE10210-0100	100	114	↑	↑	↑	↑	↑	106.9	↑	↑	149g	30	↑	
PE10210-0125	125	139	32	1.5	25	M10×35	65	138.3	2.5	35	314g	20	↑	
PE10210-0150	150	165	↑	↑	↑	↑	↑	151.0	↑	↑	350g	15	↑	

- | | | |
|---|--|--|
| <p>Stainless steel Outdoor use EL Flat Pipe Supporter</p> <ul style="list-style-type: none"> ✓ Bolt, Nut: SUS304 ✓ Band Body: SUS304 ✓ Insulating resin: Elastomer (TPE) ✓ Resin color: AWJ Blue | <p>Hot-dip galvanized Outdoor use EL Flat Pipe Supporter</p> <ul style="list-style-type: none"> ✓ Bolt, Nut: Hot-dip galvanized ✓ Band body: SPCC Hot-dip galvanized ✓ Insulating resin: Elastomer (TPE) ✓ Resin color: Outdoor Black | <p>Stainless steel Outdoor use EL FLAT Pipe Supporter</p> <ul style="list-style-type: none"> ✓ Bolt, Nut: SUS304 ✓ Band body: SUS304 ✓ Insulating resin: Elastomer (TPE) ✓ Resin color: Outdoor Black |
|---|--|--|



Stainless steel Product No.	SU Type	Shipping Unit	MSRP per PCS
PE10211-0020	20	200	
PE10211-0025	25	180	
PE10211-0030	30	160	
PE10211-0040	40	140	
PE10211-0050	50	100	
PE10211-0065	65	60	
PE10211-0075	75	50	
PE10211-0100	100	30	
PE10211-0125	125	20	
PE10211-0150	150	15	

Hot-dip galvanized Product No.	SU Type	Shipping Unit	MSRP per PCS
PE10215-0020	20	200	
PE10215-0025	25	180	
PE10215-0030	30	160	
PE10215-0040	40	140	
PE10215-0050	50	100	
PE10215-0065	65	60	
PE10215-0075	75	50	
PE10215-0100	100	30	
PE10215-0125	125	20	
PE10215-0150	150	15	

Outdoor use Stainless Product No.	SU Type	Shipping Unit	MSRP per PCS
PE10214-0020	20	200	
PE10214-0025	25	180	
PE10214-0030	30	160	
PE10214-0040	40	140	
PE10214-0050	50	100	
PE10214-0065	65	60	
PE10214-0075	75	50	
PE10214-0100	100	30	
PE10214-0125	125	20	
PE10214-0150	150	15	

FLATUBOLT® Flat U-Bolt

9018

PE pipe for water supply [Polyethylene Pipe for water supply]

Polyethylene Pipe

PE

PAT. 7057244
PAT. 7254015

Unichrome Flat U-Bolt for outdoor use

✓RoHS2 Elastomer

Rebro

-60°C +98°C

- ✓ U-Bolt body: Trivalent unichromate plating
- ✓ Nut: Trivalent unichromate plating
- ✓ Insulating resin: Elastomer (TPE)
- ✓ Stabilizer plate: Elastomer (TPE)
- ✓ Resin color: AWJ blue

Chlorine FREE in main material

FLATUBOLT is the Trademark of AWJ Co., Ltd.

Unichrome Product No.	SU Type	Flat U-Bolt						Stabilizer plate			Weight	Qty.	Shipping Unit	MSRP per PCS
		D	P	d	H	A	W	b	C	t				
PE10340-0020	20	27	40	W3/8	60	26	25	66.5	7	1.5	9	200	1 Box	
PE10340-0025	25	34	46	↑	66	↑	↑	72.5	↑	↑	9	200	↑	
PE10340-0030	30	42	56	↑	75	25	↑	83	7.5	↑	9	150	↑	
PE10340-0040	40	48	62	↑	81	↑	↑	89	↑	↑	9	120	↑	
PE10340-0050	50	60	74	↑	93	↑	↑	101	↑	↑	9	90	↑	
PE10340-0065	65	76	88	↑	113	30	↑	116	↑	↑	9	70	↑	
PE10340-0075	75	89	101	↑	126	↑	↑	129	8.5	↑	9	55	↑	
PE10340-0100	100	114	126	↑	151	↑	↑	154	↑	↑	9	40	↑	
PE10340-0125	125	139	154	W1/2	187	40	30	190	9.8	1.8	9	15	↑	
PE10340-0150	150	165	182	↑	214	↑	↑	218	↑	↑	9	15	↑	
PE10340-0200	200	216	232	↑	264	↑	↑	268	↑	↑	9	7	↑	

Stainless steel Outdoor use Flat U-Bolt

- ✓ U-bolt Body: SUS304
- ✓ Nut: SUS304
- ✓ Insulating resin: Elastomer (TPE)
- ✓ Stabilizer plate: Elastomer (TPE)
- ✓ Resin color: AWJ Blue

Hot-dip galvanized Outdoor use Flat U-Bolt

- ✓ U-bolt Body: Hot-dip galvanized
- ✓ Nut: Hot-dip galvanized
- ✓ Insulating resin: Elastomer (TPE)
- ✓ Stabilizer plate: Elastomer (TPE)
- ✓ Resin color: Outdoor Black

Stainless steel Outdoor use FLAT U-BOLT

- ✓ U-bolt Body: SUS304
- ✓ Nut: SUS304
- ✓ Insulating resin: Elastomer (TPE)
- ✓ Stabilizer plate: Elastomer (TPE)
- ✓ Resin color: Outdoor Black



Stainless steel Product No.	SU Type	Shipping Unit	MSRP per PCS
PE10342-0020	20	200	
PE10342-0025	25	200	
PE10342-0030	30	150	
PE10342-0040	40	120	
PE10342-0050	50	90	
PE10342-0065	65	70	
PE10342-0075	75	55	
PE10342-0100	100	40	
PE10342-0125	125	15	
PE10342-0150	150	15	
PE10342-0200	200	7	

Hot-dip galvanized Product No.	SU Type	Shipping Unit	MSRP per PCS
PE10358-0020	20	200	
PE10358-0025	25	200	
PE10358-0030	30	150	
PE10358-0040	40	120	
PE10358-0050	50	90	
PE10358-0065	65	70	
PE10358-0075	75	55	
PE10358-0100	100	40	
PE10358-0125	125	15	
PE10358-0150	150	15	
PE10358-0200	200	7	

Outdoor use Stainless Product No.	SU Type	Shipping Unit	MSRP per PCS
PE10343-0020	20	200	
PE10343-0025	25	200	
PE10343-0030	30	150	
PE10343-0040	40	120	
PE10343-0050	50	90	
PE10343-0065	65	70	
PE10343-0075	75	55	
PE10343-0100	100	40	
PE10343-0125	125	15	
PE10343-0150	150	15	
PE10343-0200	200	7	

FLATUBOLT® Flat U-Bolt High length +30, +50

9019

Unichrome Flat U-Bolt High length +30, +50
PAT. 7057244
Polyethylene Pipe

PE

-60°C +98°C

- ✓ U-Bolt body: Trivalent unichromate plating
- ✓ Nut: Trivalent unichromate plating
- ✓ Insulating resin: Elastomer (TPE)
- ✓ Resin color: AWJ blue

Elastomer ✓RoHS2

Rebro

2D
CAD

3D
CAD

Chlorine FREE in main material

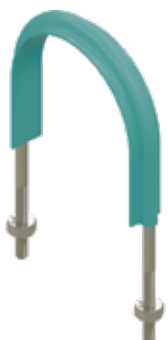
FLATUBOLT trademarked by AWJ co., Ltd.

Unichrome		SU Type	Flat U-Bolt High length								Weight	Qty.	Shipping Unit	MSRP per PCS	
Product No. [+30]	[+50]		D	P	d	W	H	A	H	A				[+30]	[+50]
PE10349-0203	-0205	20	27	40	W3/8	25	79	50	99	66	9	200			
PE10349-0253	-0255	25	34	46	↑	↑	87	↑	107	↑	9	200			
PE10349-0303	-0305	30	42	56	↑	↑	96	↑	116	↑	9	180			
PE10349-0403	-0405	40	48	62	↑	↑	102	↑	122	↑	9	150			
PE10349-0503	-0505	50	60	74	↑	↑	113	↑	133	↑	9	120			
PE10349-0653	-0655	65	76	88	↑	↑	135	55	155	↑	9	100			
PE10349-0753	-0755	75	89	101	↑	↑	145	↑	165	↑	9	80			
PE10349-1003	-1005	100	114	126	↑	↑	173	↑	193	↑	9	50			
PE10349-1253	-1255	125	139	154	W1/2	30	204	65	224	65	9	30			
PE10349-1503	-1505	150	165	182	↑	↑	228	↑	248	↑	9	25			
PE10349-2003	-2005	200	216	232	↑	↑	280	↑	300	↑	9	20			

Outdoor use Flat U-Bolt High length +30, +50

Stainless steel

- ✓ U-bolt Body: SUS304
- ✓ Nut: SUS304
- ✓ Insulating resin: Elastomer (TPE)
- ✓ Resin color: AWJ Blue



Stainless steel		MSRP per PCS	
Product No. [+30]	[+50]	[+30]	[+50]
PE10350-0203	-0205		
PE10350-0253	-0255		
PE10350-0303	-0305		
PE10350-0403	-0405		
PE10350-0503	-0505		
PE10350-0653	-0655		
PE10350-0753	-0755		
PE10350-1003	-1005		
PE10350-1253	-1255		
PE10350-1503	-1505		
PE10350-2003	-2005		

Outdoor use Flat U-Bolt High length +30, +50

Hot-dip galvanized

- ✓ U-bolt Body: Hot-dip galvanized
- ✓ Nut: Hot-dip galvanized
- ✓ Insulating resin: Elastomer (TPE)
- ✓ Resin color: Outdoor Black



Hot-dip galvanized		MSRP per PCS	
Product No. [+30]	[+50]	[+30]	[+50]
PE10359-0203	-0205		
PE10359-0253	-0255		
PE10359-0303	-0305		
PE10359-0403	-0405		
PE10359-0503	-0505		
PE10359-0653	-0655		
PE10359-0753	-0755		
PE10359-1003	-1005		
PE10359-1253	-1255		
PE10359-1503	-1505		
PE10359-2003	-2005		

Outdoor use Flat U-Bolt High length +30, +50

Stainless steel

- ✓ U-bolt Body: SUS304
- ✓ Nut: SUS304
- ✓ Insulating resin: Elastomer (TPE)
- ✓ Resin color: Outdoor Black



Outdoor use Stainless		MSRP per PCS	
Product No. [+30]	[+50]	[+30]	[+50]
PE10354-0203	-0205		
PE10354-0253	-0255		
PE10354-0303	-0305		
PE10354-0403	-0405		
PE10354-0503	-0505		
PE10354-0653	-0655		
PE10354-0753	-0755		
PE10354-1003	-1005		
PE10354-1253	-1255		
PE10354-1503	-1505		
PE10354-2003	-2005		

EL FLATBAND® EL Flat Pipe Hanger NH attached

9020

PB pipe for hot-water supply [Polybutene Pipe]

Polybutene pipe

PB

PAT. 7253926 D. 1639482
PAT. 7343447

Unichrome EL Flat Pipe Hanger for outdoor use

✓RoHS2 Elastomer

Rebro'

2D CAD 3D CAD

-60°C +98°C

- ✓ Turnbuckle: Trivalent unichromate plating
- ✓ Bolt: Trivalent unichromate plating
- ✓ Band body: SUS 430
- ✓ Insulating resin: Elastomer (TPE)
- ✓ Resin color: AWJ green

Chlorine FREE in main material

EL FLATBAND trademarked by AWJ co., Ltd.

Unichrome Product No.	SU Type	Pipe Diameter	Plate WDH (W)	Plate THK (t)	Hanging Bolt	Bolt & Nut B,N	C	H	Inner (t')	Resin (W')	Weight	Qty.	Shipping Unit	MSRP per PCS
PB10110-0016	16	22	25	0.6	W3/8	M6×25	27	65.3	1.2	28	76g	200	1 Box	
PB10110-0020	20	27	↑	↑	↑	↑	↑	68.6	↑	↑	80g	200		
PB10110-0025	25	34	↑	↑	↑	↑	↑	72.0	1.5	↑	85g	200		
PB10110-0030	30	42	↑	↑	↑	↑	↑	76.4	↑	↑	93g	160		
PB10110-0040	40	48	↑	↑	↑	↑	↑	79.4	↑	↑	95g	140		
PB10110-0050	50	60	↑	↑	↑	↑	↑	85.4	1.7	↑	105g	100		
PB10110-0065	65	76	↑	1.0	↑	M8×25	↑	95.4	2.0	↑	156g	80		
PB10110-0075	75	89	↑	↑	↑	↑	↑	101.8	↑	↑	165g	60		
PB10110-0100	100	114	↑	↑	↑	↑	↑	114.4	↑	↑	192g	40		

Stainless steel Outdoor use EL Flat Pipe Hanger

- ✓ Turnbuckle: SUS304
- ✓ Bolt, Nut: SUS304
- ✓ Band Body: SUS304
- ✓ Insulating resin: Elastomer (TPE)
- ✓ Resin color: AWJ Green



Stainless steel Product No.	SU Type	Shipping Unit	MSRP per PCS
PB10112-0016	16	200	
PB10112-0020	20	200	
PB10112-0025	25	200	
PB10112-0030	30	160	
PB10112-0040	40	140	
PB10112-0050	50	100	
PB10112-0065	65	80	
PB10112-0075	75	60	
PB10112-0100	100	40	

EL FLATBAND[®] EL Flat Pipe Supporter NH attached

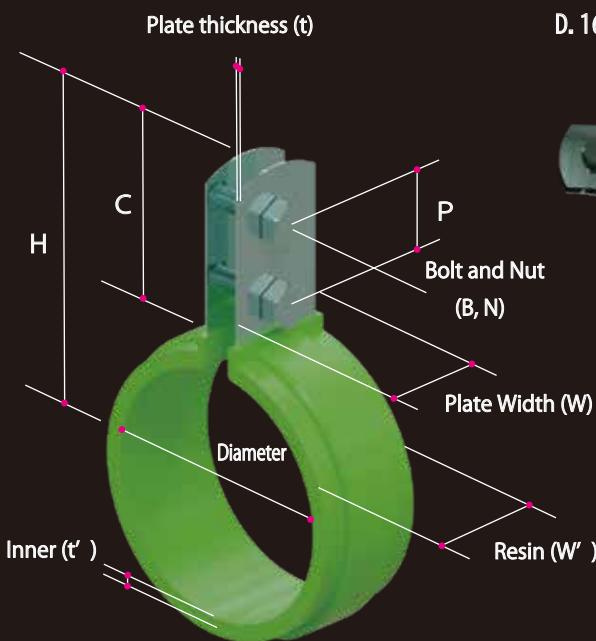
9021

Unichrome EL Flat Pipe Supporter for outdoor use

PAT. 7253926
PAT. 7343447
D. 1639482

Polybutene pipe

PB



✓RoHS2



-60°C +98°C

- ✓ Bolt: Trivalent unichromate plating
- ✓ Band body: SUS 430
- ✓ Insulating resin: Elastomer (TPE)
- ✓ Resin color: AWJ green



Chlorine FREE in main material

EL FLATBAND trademarked by AWJ co., Ltd.

Unichrome Product No.	SU Type	Pipe Diameter	Plate WDH (W)	Plate THK (t)	Hanging Bolt	Bolt & Nut B,N	C	H	Inner (t')	Resin (W')	Weight	Qty.	Shipping Unit	MSRP per PCS
PB10210-0016	16	22	25	0.6	20	M6×20	47	58.3	1.2	28	39g	200	1 Box	
PB10210-0020	20	27						61.8	↑		47g	200		
PB10210-0025	25	34						64.9	1.5		52g	200		
PB10210-0030	30	42						69.4	↑		60g	160		
PB10210-0040	40	48						72.4			63g	140		
PB10210-0050	50	60						78.6	1.7		72g	100		
PB10210-0065	65	76		1.0				87.8	2.0		112g	60		
PB10210-0075	75	89						94.3			125g	50		
PB10210-0100	100	114						106.9	↑		149g	30		

Stainless steel Outdoor use EL Flat Pipe Supporter

- ✓ Bolt, Nut: SUS304
- ✓ Band Body: SUS304
- ✓ Insulating resin: Elastomer (TPE)
- ✓ Resin color: AWJ Green



Stainless steel Product No.	SU Type	Shipping Unit	MSRP per PCS
PB10211-0016	16	200	
PB10211-0020	20	200	
PB10211-0025	25	200	
PB10211-0030	30	160	
PB10211-0040	40	140	
PB10211-0050	50	100	
PB10211-0065	65	60	
PB10211-0075	75	50	
PB10211-0100	100	30	

FLATUBOLT® Flat U-Bolt

9022

Polybutene pipe

PAT. 7057244
PAT. 7254015

Unichrome Flat U-Bolt for outdoor use

PB

✓RoHS2

Elastomer

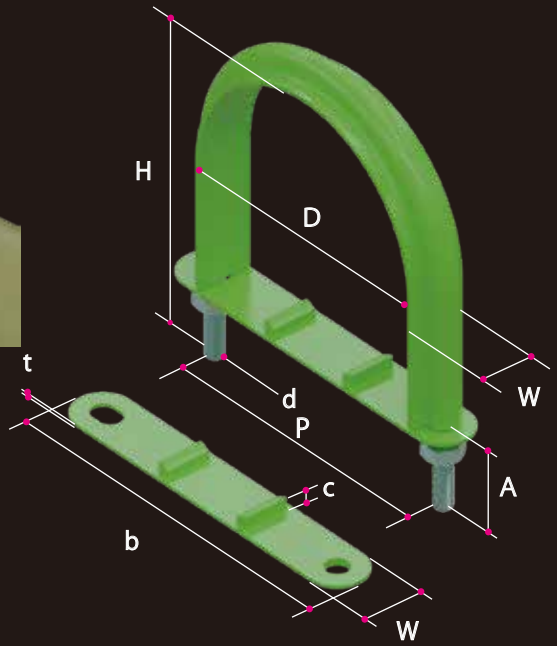
Rebro

2D CAD 3D CAD

Chlorine FREE in main material

-
- ✓ U-Bolt body: Trivalent unichromate plating
- ✓ Nut: Trivalent unichromate plating
- ✓ Insulating resin: Elastomer (TPE)
- ✓ Stabilizer plate: Elastomer (TPE)
- ✓ Resin color: AWJ green

FLAT UBOLT is the Trademark of AWJ Co., Ltd.



Unichrome Product No.	SU Type	Flat U-Bolt						Stabilizer plate			Weight	Qty.	Shipping Unit	MSRP per PCS
		D	P	d	H	A	W	b	C	t				
PB10340-0016	16	22	34	W3/8	54	26	25	59.7	7	1.5	g	200	1 Box	\$4.17
PB10340-0020	20	27	40	↑	60	↑	↑	66.5	↑	↑	g	200	↑	\$4.50
PB10340-0025	25	34	46	↑	66	↑	↑	72.5	↑	↑	g	200	↑	\$4.83
PB10340-0030	30	42	56	↑	75	25	↑	83	7.5	↑	g	150	↑	\$5.33
PB10340-0040	40	48	62	↑	81	↑	↑	89	↑	↑	g	120	↑	\$6.00
PB10340-0050	50	60	74	↑	93	↑	↑	101	↑	↑	g	90	↑	\$6.83
PB10340-0065	65	76	88	↑	113	30	↑	116	↑	↑	g	70	↑	\$7.67
PB10340-0075	75	89	101	↑	126	↑	↑	129	8.5	↑	g	55	↑	\$9.00
PB10340-0100	100	114	126	↑	151	↑	↑	154	↑	↑	g	40	↑	\$11.00

Stainless steel Outdoor use Flat U-Bolt

- ✓ U-bolt Body: SUS304
- ✓ Nut: SUS304
- ✓ Insulating resin: Elastomer (TPE)
- ✓ Stabilizer plate: Elastomer (TPE)
- ✓ Resin color: AWJ Green



Stainless steel Product No.	SU Type	Shipping Unit	MSRP per PCS
PB10342-0016	16	200	\$10.00
PB10342-0020	20	200	\$11.50
PB10342-0025	25	200	\$12.00
PB10342-0030	30	150	\$14.33
PB10342-0040	40	120	\$15.50
PB10342-0050	50	90	\$16.50
PB10342-0065	65	70	\$19.67
PB10342-0075	75	55	\$21.50
PB10342-0100	100	40	\$24.50

FLATUBOLT® Flat U-Bolt High length +30,+50

9030

Unichrome Flat U-Bolt High length +30,+50 PAT. 7057244 Polybutene pipe

P B

Elastomer ✓RoHS2 **Rebro**

Temperature range: -60°C to +98°C

- ✓ U-Bolt body: Trivalent unichromate plating
- ✓ Nut: Trivalent unichromate plating
- ✓ Insulating resin: Elastomer (TPE)
- ✓ Resin color: AWJ green

2D CAD 3D CAD

Chlorine FREE in main material

FLATUBOLT trademarked by AWJ co., Ltd.

PB pipe for hot-water supply [Polybutene Pipe]

Unichrome		SU Type	Flat U-Bolt High length				+30		+50		Weight	Qty.	Shipping Unit	MSRP per PCS	
Product No. [+30]	[+50]		D	P	d	W	H	A	H	A				[+30]	[+50]
PB10349-0163	-0165	16	22	34	W3/8	25	73	50	93	50	g		200		
PB10349-0203	-0205	20	27	40	↑	↑	79	↑	99	66	g		200		
PB10349-0253	-0255	25	34	46	↑	↑	87	↑	107	↑	g		200		
PB10349-0303	-0305	30	42	56	↑	↑	96	↑	116	↑	g		180		
PB10349-0403	-0405	40	48	62	↑	↑	102	↑	122	↑	g		150		
PB10349-0503	-0505	50	60	74	↑	↑	113	↑	133	↑	g		120		
PB10349-0653	-0655	65	76	88	↑	↑	135	55	155	↑	g		100		
PB10349-0753	-0755	75	89	101	↑	↑	145	↑	165	↑	g		80		
PB10349-1003	-1005	100	114	126	↑	↑	173	↑	193	↑	g		50		

Stainless steel Outdoor use Flat U-Bolt High length +30,+50

- ✓ U-bolt Body: SUS304
- ✓ Nut: SUS304
- ✓ Insulating resin: Elastomer (TPE)
- ✓ Resin color: AWJ Green



Stainless steel		MSRP per PCS	
Product No. [+30]	[+50]	[+30]	[+50]
PB10350-0163	-0165		
PB10350-0203	-0205		
PB10350-0253	-0255		
PB10350-0303	-0305		
PB10350-0403	-0405		
PB10350-0503	-0505		
PB10350-0653	-0655		
PB10350-0753	-0755		
PB10350-1003	-1005		

ETFE Pipe Hanger Fluororesin Coated

9023

SU pipe for steam piping [Stainless pipe thin-walled]

Stainless pipe thin-walled

SU

Stainless ETFE Fluororesin coated Pipe Hanger

✓RoHS2 Elastomer

Rebro

2D CAD 3D CAD

-200°C +180°C

- ✓ Turnbuckle: SUS304
- ✓ Bolt: SUS304
- ✓ Band body: SUS304
- ✓ Insulating resin: Fluororesin (ETFE)
- ✓ Resin color: Navy-black

Chlorine FREE in main material

Stainless Product No.	SU Type	Pipe Diameter	Plate WHD (W)	Plate THK (t)	Hanging Bolt	Bolt & Nut B,N	C	H	Weight	Qty.	Shipping Unit	MSRP per PCS
EU10120-0013	13SU	15.88	25	0.6	W3/8	M6×25	27	61.8	9			
EU10120-0020	20SU	22.22						65.3	9			
EU10120-0025	25SU	28.58						68.6	9			
EU10120-0030	30SU	34.0						72.0	9			
EU10120-0040	40SU	42.7						76.4	9			
EU10120-0050	50SU	48.6						79.4	9			
EU10120-0060	60SU	60.5						85.4	9			
EU10120-0075	75SU	76.3		1.0		M8×25		95.4	9			
EU10120-0080	80SU	89.1						101.8	9			
EU10120-0100	100SU	114.3						114.4	9			
EU10120-0125	125SU	139.8	32	1.5	W1/2	M10×35	45	153.3	9			
EU10120-0150	150SU	165.2						166.1	9			

Unichrome ETFE Pipe Hanger Fluororesin Coated

- ✓ Turnbuckle: Trivalent unichromate plating
- ✓ Bolt, Nut: Trivalent unichromate platingS304
- ✓ Band Body: SUS430
- ✓ Insulating resin: Fluororesin (FTFE)
- ✓ Resin color: Navy-black



Stainless steel Product No.	SU Type	Shipping Unit	MSRP per PCS
EU10121-0013	13SU		
EU10121-0020	20SU		
EU10121-0025	25SU		
EU10121-0030	30SU		
EU10121-0040	40SU		
EU10121-0050	50SU		
EU10121-0060	60SU		
EU10121-0075	75SU		
EU10121-0080	80SU		
EU10121-0100	100SU		
EU10121-0125	125SU		
EU10121-0150	150SU		

ETFE Pipe Supporter Fluororesin Coated

9024

SU pipe for steam piping [Stainless pipe thin-walled]

Stainless ETFE Fluororesin coated Pipe Supporter

Stainless pipe thin-walled

SU

Elastomer ✓RoHS2

Rebro

2D CAD 3D CAD

Chlorine FREE in main material

Temperature range: -200°C to +180°C

- ✓ Bolt: SUS304
- ✓ Band body: SUS304
- ✓ Insulating resin: Fluororesin (ETFE)
- ✓ Resin color: Navy-black

Stainless Product No.	SU Type	Pipe Diameter	Plate WDH (W)	Plate THK (t)	Hanging Bolt	Bolt & Nut B,N	C	H	Weight	Qty.	Shipping Unit	MSRP per PCS
EU10220-0013	13SU	15.88	25	0.6	20	M6×20	47	55.0	g			
EU10220-0020	20SU	22.22						58.5	g			
EU10220-0025	25SU	28.58						61.8	g			
EU10220-0030	30SU	34.0						64.9	g			
EU10220-0040	40SU	42.7						69.4	g			
EU10220-0050	50SU	48.6						72.4	g			
EU10220-0060	60SU	60.5						78.6	g			
EU10220-0075	75SU	76.3		1.0				87.8	g			
EU10220-0080	80SU	89.1						94.3	g			
EU10220-0100	100SU	114.3						106.9	g			
EU10220-0125	125SU	139.8	32	1.5	25	M10×35	65	138.3	g			
EU10220-0150	150SU	165.2						151.0	g			

Unichrome ETFE Pipe Supporter Fluororesin Coated

- ✓ Bolt, Nut: Trivalent unichromate plating
- ✓ Band Body: SUS430
- ✓ Insulating resin: Elastomer (TPE)
- ✓ Resin color: Navy-black



Stainless steel Product No.	SU Type	Shipping Unit	MSRP per PCS
EU10221-0013	13SU		
EU10221-0020	20SU		
EU10221-0025	25SU		
EU10221-0030	30SU		
EU10221-0040	40SU		
EU10221-0050	50SU		
EU10221-0060	60SU		
EU10221-0075	75SU		
EU10221-0080	80SU		
EU10221-0100	100SU		
EU10221-0125	125SU		
EU10221-0150	150SU		

ETFE U-Bolt Fluororesin Coated

9025

SU pipe for steam piping [Stainless pipe thin-walled]

Stainless pipe thin-walled

SU

Stainless

ETFE Fluororesin coated U-Bolt

✓RoHS2

Elastomer

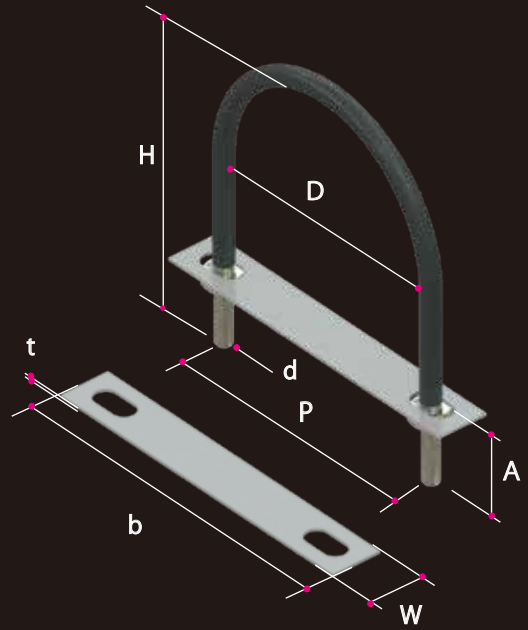


-200°C +180°C

- ✓ U-bolt body: SUS304
- ✓ Nut: SUS304
- ✓ Insulating resin: Fluororesin (ETFE)
- ✓ Insulating plate: Fluororesin (ETFE)
- ✓ Resin color: Navy-black



Chlorine FREE in main material



Stainless Product No.	SU Type	ETFE coated U-Bolt					Stabilizer plate			Weight	Qty.	Shipping Unit	MSRP per PCS
		D	P	d	H	A	b	W	t				
EU10400-0013	13SU	15.88	28	W3/8	43	28	73	25	1.5	g			
EU10400-0020	20SU	22.22	34	↑	46	30	73	↑	↑	g			
EU10400-0025	25SU	28.58	40	↑	51	↑	73	↑	↑	g			
EU10400-0030	30SU	34.0	46	↑	59	↑	73	↑	↑	g			
EU10400-0040	40SU	42.7	56	↑	68	↑	88	↑	↑	g			
EU10400-0050	50SU	48.7	62	↑	74	↑	88	↑	↑	g			
EU10400-0060	60SU	60.5	74	↑	85	↑	114	↑	↑	g			
EU10400-0075	75SU	76.3	88	↑	107	35	114	↑	↑	g			
EU10400-0080	80SU	89.1	101	↑	117	↑	140	↑	↑	g			
EU10400-0100	100SU	114.3	126	↑	145	↑	165	↑	↑	g			
EU10400-0125	125SU	139.8	154	W1/2	175	45	190	30	↑	g			
EU10400-0150	150SU	165.2	182	↑	201	↑	218	↑	↑	g			

ETFE Pipe Supporter Fluororesin Coated

9026

Stainless ETFE Fluororesin coated Pipe Supporter

Stainless pipe

SG

Elastomer ✓RoHS2

2D CAD 3D CAD

Temperature range: -200°C to +180°C

- ✓ Turnbuckle: SUS304
- ✓ Bolt: SUS304
- ✓ Band body: SUS304
- ✓ Insulating resin: Fluororesin (ETFE)
- ✓ Resin color: Navy-black

Chlorine FREE in main material

SGP pipe for steam piping [Stainless pipe]

Stainless Product No.	SU Type	Pipe Diameter	Plate WDH (W)	Plate THK (t)	Hanging Bolt	Bolt & Nut B,N	C	H	Weight	Qty.	Shipping Unit	MSRP per PCS
EG10120-0015	15A	21.7	25	0.6	W3/8	M6×25	27	65.3	9			
EG10120-0020	20A	27.2	25	↑	↑	↑	↑	68.6	9			
EG10120-0025	25A	34.0	25	↑	↑	↑	↑	72.0	9			
EG10120-0032	32A	42.7	25	↑	↑	↑	↑	76.4	9			
EG10120-0040	40A	48.6	25	↑	↑	↑	↑	79.4	9			
EG10120-0050	50A	60.5	25	↑	↑	↑	↑	85.4	9			
EG10120-0065	65A	76.3	25	1.0	↑	M8×25	↑	95.4	9			
EG10120-0080	80A	89.1	25	↑	↑	↑	↑	101.8	9			
EG10120-0100	100A	114.3	25	↑	↑	↑	↑	114.4	9			
EG10120-0125	125A	139.8	35	1.5	W1/2	M10×35	45	153.3	9			
EG10120-0150	150A	165.2	35	↑	↑	↑	↑	166.1	9			

Unichrome ETFE Pipe Hanger Fluororesin Coated

- ✓ Turnbuckle: Trivalent unichromate plating
- ✓ Bolt, Nut: Trivalent unichromate plating
- ✓ Band Body: SUS430
- ✓ Insulating resin: Fluororesin (FTFE)
- ✓ Resin color: Navy-black



Stainless steel Product No.	SU Type	Shipping Unit	MSRP per PCS
EG10121-0015	15A		
EG10121-0020	20A		
EG10121-0025	25A		
EG10121-0032	32A		
EG10121-0040	40A		
EG10121-0050	50A		
EG10121-0065	65A		
EG10121-0080	80A		
EG10121-0100	100A		
EG10121-0125	125A		
EG10121-0150	150A		

ETFE Pipe Supporter Fluororesin Coated

9026

SGP pipe for steam piping [Stainless pipe]

Stainless pipe

SG



✓RoHS2

Elastomer

Rebro

2D CAD 3D CAD

Chlorine FREE in main material

Stainless ETFE Fluororesin coated Pipe Supporter



- ✓ Bolt: SUS304
- ✓ Band body: SUS304
- ✓ Insulating resin: Fluororesin (ETFE)
- ✓ Resin color: Navy-black

-200°C ●●●●●●●●●● ●●●●●●●●●● +180°C

Stainless Product No.	SU Type	Pipe Diameter	Plate WDH (W)	Plate THK (t)	Hanging Bolt	Bolt & Nut B,N	C	H	Weight	Qty.	Shipping Unit	MSRP per PCS
EG10220-0015	15A	21.7	25	0.6	20	M6×20	47	56.9	9			
EG10220-0020	20A	27.2	↑	↑	↑	↑	↑	59.8	9			
EG10220-0025	25A	34.0	↑	↑	↑	↑	↑	63.4	9			
EG10220-0032	32A	42.7	↑	↑	↑	↑	↑	67.9	9			
EG10220-0040	40A	48.6	↑	↑	↑	↑	↑	70.9	9			
EG10220-0050	50A	60.5	↑	↑	↑	↑	↑	76.9	9			
EG10220-0065	65A	76.3	↑	1.0	↑	↑	↑	84.9	9			
EG10220-0080	80A	89.1	↑	↑	↑	↑	↑	91.3	9			
EG10220-0100	100A	114.3	↑	↑	↑	↑	↑	104.0	9			
EG10220-0125	125A	139.8	32	1.5	25	M10×35	65	138.3	9			
EG10220-0150	150A	165.2	↑	↑	↑	↑	↑	151.0	9			

Unichrome ETFE Pipe Supporter Fluororesin Coated

- ✓ Bolt, Nut: Trivalent unichromate plating
- ✓ Band Body: SUS430
- ✓ Insulating resin: Fluororesin (FTFE)
- ✓ Resin color: Navy-black



Stainless steel Product No.	SU Type	Shipping Unit	MSRP per PCS
EG10221-0015	15A		
EG10221-0020	20A		
EG10221-0025	25A		
EG10221-0032	32A		
EG10221-0040	40A		
EG10221-0050	50A		
EG10221-0065	65A		
EG10221-0080	80A		
EG10221-0100	100A		
EG10221-0125	125A		
EG10221-0150	150A		

ETFE U-Bolt Fluororesin Coated

9028

Stainless

ETFE Fluororesin coated U-Bolt

Stainless pipe

SG

Elastomer

✓RoHS2

Rebro

2D CAD 3D CAD

Chlorine FREE in main material

-200°C ● ● ● ● ● ● ● ● ● ● ● ● +180°C

- ✓ U-bolt body: SUS304
- ✓ Nut: SUS304
- ✓ Insulating resin: Fluororesin (ETFE)
- ✓ Insulating plate: Fluororesin (ETFE)
- ✓ Resin color: Navy-black

SGP pipe for steam piping [Stainless pipe]

Stainless Product No.	SU Type	ETFE coated U-Bolt					Stabilizer plate			Weight	Qty.	Shipping Unit	MSRP per PCS
		D	P	d	H	A	b	W	t				
EG10400-0015	15A	21.7	34	W3/8	46	30	73	25	1.5	g			
EG10400-0020	20A	27.2	40	↑	51	↑	73	↑	↑	g			
EG10400-0025	25A	34.0	46	↑	59	↑	73	↑	↑	g			
EG10400-0032	32A	42.7	56	↑	68	↑	88	↑	↑	g			
EG10400-0040	40A	48.7	62	↑	74	↑	88	↑	↑	g			
EG10400-0050	50A	60.5	74	↑	85	↑	114	↑	↑	g			
EG10400-0065	65A	76.3	88	↑	107	35	114	↑	↑	g			
EG10400-0080	80A	89.1	101	↑	117	↑	140	↑	↑	g			
EG10400-0100	100A	114.3	126	↑	145	↑	165	↑	↑	g			
EG10400-0125	125A	139.8	154	W1/2	175	45	190	30	↑	g			
EG10400-0150	150A	165.2	182	↑	201	↑	218	↑	↑	g			

HONEYCOMB SPACER® I&II

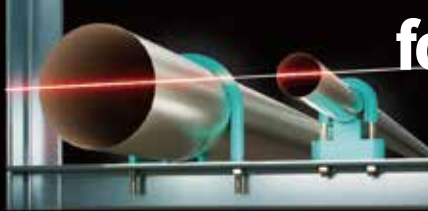
HONEYCOMB spacer Type-I for Flat U-Bolt High-length

HONEYCOMB spacer Type-II for U-Bolt / U Band

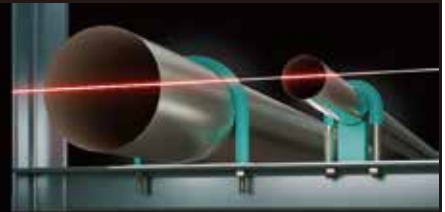
Fine adjustment

for pipe size difference

Type-I



Type-II

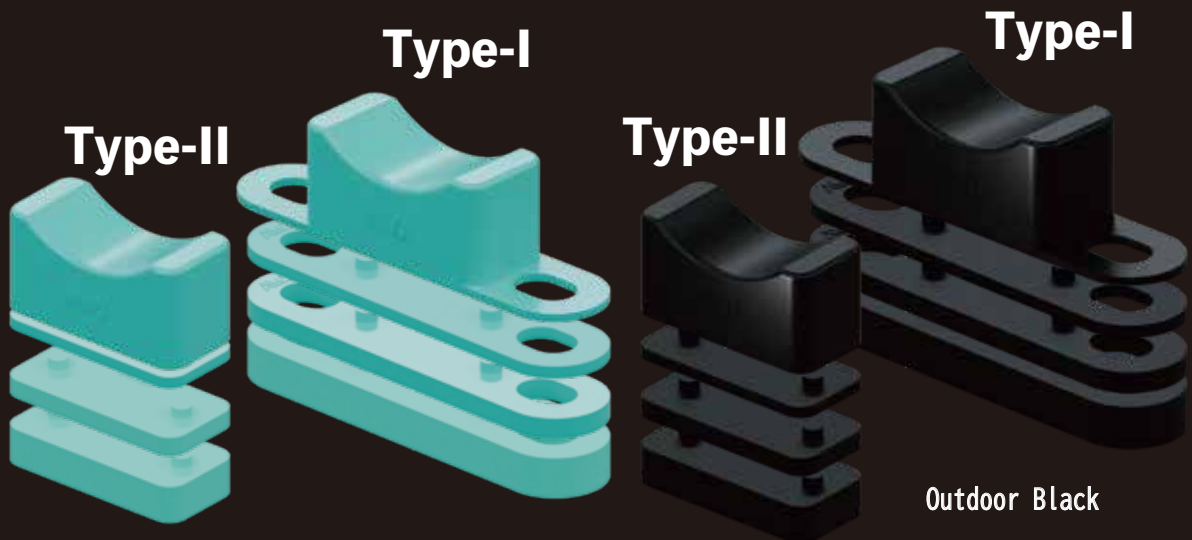


HONEYCOMB spacer Type-I plus Flat U-Bolt High-length
Applies for Flat U-Bolt High-length only.



HONEYCOMB spacer Type-II plus Flat U-Bolt High-length

The height can be adjusted for your choice by the shim plate in three ways.



Outdoor Black

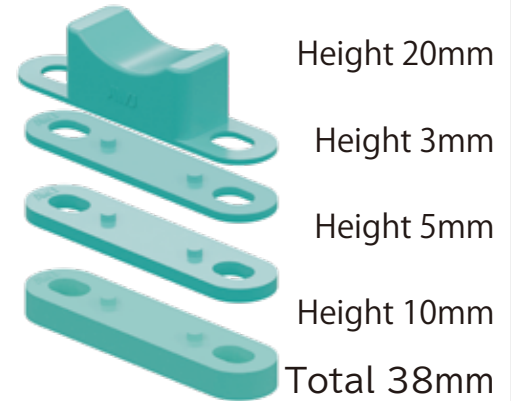
HONEYCOMB SPACER I&II[®]

When to adjust 150A and 80A

$$(165.2/2) - (89.1/2) = 38.05$$

Difference (mm)	25SU	30SU	40SU	50SU	60SU	75SU	80SU	100SU	125SU	150SU	200SU		
200SU	20SU	-3.18	-5.89	-10.24	-13.19	-19.14	-27.04	-33.54	-46.04	-58.79	-71.49	-97.04	
25	150SU	25SU	-2.71	-7.06	-10.01	-15.96	-23.86	-30.36	-42.86	-55.61	-68.31	-93.85	
38	13	125SU	30SU	-4.35	-7.30	-13.25	-21.15	-27.55	-40.15	-52.90	-65.60	-91.15	
51	25	12	100SU	40SU	-2.95	-8.90	-16.80	-23.20	-35.80	-48.58	-61.25	-86.80	
63	38	25	13	80SU	50SU	-5.95	-13.85	-20.25	-32.85	-45.60	-58.30	-83.85	
70	45	31	20	6	75SU	60SU	-7.90	-14.30	-26.90	-39.65	-52.35	-77.90	
78	53	40	26	15	8	3	40SU	75SU	-6.40	-19.00	-31.75	-44.45	-70.00
83	58	45	33	20	13	6	50SU	80SU	-12.60	-25.35	-38.05	-63.60	
86	60	48	36	23	16	8	3	100SU	-12.75	-25.45	-51.00		
91	65	53	40	28	20	13	5	30SU	125SU	-12.70	-38.25		
93	68	55	43	30	23	16	10	8	3	25SU/SG20	150SU	-25.55	
98	70	58	46	33	26	20	13	10	6	3	20SU/SG15	200SU	
200SU	150SU	125SU	100SU	80SU	75SU	60SU	50SU	40SU	30SU	25SU/SG20	Recommended(mm)		

Product No.: HSSU10-08038
The product consists of the following for items.



Please refer to P64/P67 as well for more combination.

Shock Absorption

When a honeycomb structure receives a impact from one direction, "force dispersion" works to disperse the impact in six directions with excellent shock absorption. HONEYCOMB spacer has this feature.

Thermal insulation/retention

The honeycomb structure contains a layer of air which is more than 95% of the total volume, and this air layer prevent air convection with excellent heat insulation and heat retention.

Muffling effect

It has the characteristic of dispersing sound in six directions with its shock-absorbing properties, which has muffling properties to eliminate noise from drainage and water supply pipes.



Light weight

Regular hexagons can be placed without gaps. Therefore, regular hexagons are the most efficient way to create the largest space. It means that can cover a larger space with light weight.



HONEYCOMB SPACER[®] | For Flat U-Bolt

9100

Height adjustment spacer SU pipe [Stainless pipe thin-walled] SG pipe [Stainless pipe]

Stainless pipe thin-walled
SU
Stainless pipe
SG

HONEYCOMB spacer Type-I

✓RoHS2
Elastomer
Rebro
-60°C +98°C
Insulating resin: Elastomer (TPE)
Resin color: AWJ blue
2D CAD 3D CAD
Chlorine FREE in main material
HONEYCOMB Spacer trademarked by AWJ co., Ltd.
D. 1698612

AWJ Blue Product No.	Type SU/SG	Pipe Diameter	P 1	P 2	L 1	L 2	W	H 1	H 2	X	Y	t	Weight	Qty.	Shipping Unit	MSRP per PCS
HSSG10-0015	SG15	21.7	34	6.5	64	17	25	20	22.5	15	11	2	7g	250	250	
HSSG10-0020	SG20	27.2	40	13	70	23			23.0				11g	200	200	
HSSU10-0020	20SU	22.22	34	6.5	64	17			22.5				7g	250	250	
HSSU10-0025	25SU	28.58	40	13	70	23			23.0				9g	200	200	
HSSU10-0030	30SU/SG25	34.0	46	13	76	29			24.0				11g	180	180	
HSSU10-0040	40SU/SG32	42.7	56	26	86	38			24.5				14g	150	150	
HSSU10-0050	50SU/SG40	48.6	62	26	92	42			26.5				18g	130	130	
HSSU10-0060	60SU/SG50	60.5	74	39	104	54			27.0				21g	100	100	
HSSU10-0075	75SU/SG65	76.3	88	52	118	68			28.0				26g	80	80	
HSSU10-0080	80SU/SG80	89.1	101	65	131	81			29.0				31g	60	60	
HSSU10-0100	100SU/SG100	114.3	126	91	156	106			30.0				42g	50	50	

Outdoor Use HONEYCOMB spacer Type-I

- ✓ Insulating resin: Elastomer (TPE)
- ✓ Resin color: Outdoor black



Outdoor black Product No.	SU/SG Type	Shipping Unit	MSRP per PCS
BHSSG10-0015	SG15	250	
BHSSG10-0020	SG20	200	
BHSSU10-0020	SU20	250	
BHSSU10-0025	SU25	200	
BHSSU10-0030	SU30/SG25	180	
BHSSU10-0040	SU40/SG32	150	
BHSSU10-0050	SU50/SG40	130	
BHSSU10-0060	SU60/SG50	100	
BHSSU10-0075	SU75/SG65	80	
BHSSU10-0080	SU80/SG80	60	
BHSSU10-0100	SU100/SG100	50	

HONEYCOMB spacer Type-I

■ 25SU/SG20 ~ 100SU/SG100

■ 20SU/SG15

Insertion point

HONEYCOMB SPACER I[®] For Flat U-Bolt

9102

Shim-Plate for HONEYCOMB spacer Type-I

Stainless pipe thin-walled
SU

Stainless pipe
SG

■ 25SU/SG20 ~ 100SU/SG100

■ 20SU/SG15

Temperature range: -60°C to +98°C

- ✓ Insulating resin: Elastomer (TPE)
- ✓ Resin color: AWJ blue

Elastomer ✓RoHS2

2D CAD 3D CAD

Chlorine FREE in main material

HONEYCOMB Spacer trademarked by AWJ co., Ltd.

D. 1698613

Outdoor Use Shim-plate for HONEYCOMB spacer Type-I

- ✓ Insulating resin: Elastomer (TPE)
- ✓ Resin color: Outdoor black



3mm Shim-plate for Type-I (SU/SG)

AWJ Blue Product No.	SU/SG Type	P1	P2	L	W	D	H	h	X	Y	t	Weight	Qty.	Shipping Unit	MSRP per PCS	Outdoor black Product No.	MSRP per PCS
HSSG10-01503	SG15	34	6.5	64	25	5	2.5	2.6	15	11	3	4g		1,000		BHSSG10-01503	
HSSG10-02003	SG20	40	13	70	↑	↑	↑	↑	↑	↑	↑	4g		1,000		BHSSG10-02003	
HSSU10-02003	20SU	34	6.5	64	↑	↑	↑	↑	↑	↑	↑	3g		1,000		BHSSU10-02003	
HSSU10-02503	25SU	40	13	70	↑	↑	↑	↑	↑	↑	↑	3g		1,000		BHSSU10-02503	
HSSU10-03003	30SU/SG25	46	13	76	↑	↑	↑	↑	↑	↑	↑	4g		1,000		BHSSU10-03003	
HSSU10-04003	40SU/SG32	56	26	86	↑	↑	↑	↑	↑	↑	↑	4g		1,000		BHSSU10-04003	
HSSU10-05003	50SU/SG40	62	26	92	↑	↑	↑	↑	↑	↑	↑	5g		1,000		BHSSU10-05003	
HSSU10-06003	60SU/SG50	74	39	104	↑	↑	↑	↑	↑	↑	↑	6g		1,000		BHSSU10-06003	
HSSU10-07503	75SU/SG65	88	52	118	↑	↑	↑	↑	↑	↑	↑	7g		1,000		BHSSU10-07503	
HSSU10-08003	80SU/SG80	101	65	131	↑	↑	↑	↑	↑	↑	↑	8g		1,000		BHSSU10-08003	
HSSU10-10003	100SU/SG100	126	91	156	↑	↑	↑	↑	↑	↑	↑	11g		1,000		BHSSU10-10003	

5mm Shim-plate for Type-I (SU/SG)

AWJ Blue Product No.	SU/SG Type	P1	P2	L	W	D	H	h	X	Y	t	Weight	Qty.	Shipping Unit	MSRP per PCS	Outdoor black Product No.	MSRP per PCS
HSSG10-01505	SG15	34	6.5	64	25	5	2.5	2.6	15	11	5	5g		1,000		BHSSG10-01505	
HSSG10-02005	SG20	40	13	70	↑	↑	↑	↑	↑	↑	↑	5g		1,000		BHSSG10-02005	
HSSU10-02005	20SU	34	6.5	64	↑	↑	↑	↑	↑	↑	↑	4g		1,000		BHSSU10-02005	
HSSU10-02505	25SU	40	13	70	↑	↑	↑	↑	↑	↑	↑	4g		1,000		BHSSU10-02505	
HSSU10-03005	30SU/SG25	46	13	76	↑	↑	↑	↑	↑	↑	↑	5g		1,000		BHSSU10-03005	
HSSU10-04005	40SU/SG32	56	26	86	↑	↑	↑	↑	↑	↑	↑	6g		1,000		BHSSU10-04005	
HSSU10-05005	50SU/SG40	62	26	92	↑	↑	↑	↑	↑	↑	↑	6g		1,000		BHSSU10-05005	
HSSU10-06005	60SU/SG50	74	39	104	↑	↑	↑	↑	↑	↑	↑	7g		1,000		BHSSU10-06005	
HSSU10-07505	75SU/SG65	88	52	118	↑	↑	↑	↑	↑	↑	↑	8g		1,000		BHSSU10-07505	
HSSU10-08005	80SU/SG80	101	65	131	↑	↑	↑	↑	↑	↑	↑	9g		1,000		BHSSU10-08005	
HSSU10-10005	100SU/SG100	126	91	156	↑	↑	↑	↑	↑	↑	↑	10g		1,000		BHSSU10-10005	

10mm Shim-plate for Type-I (SU/SG)

AWJ Blue Product No.	SU/SG Type	P1	P2	L	W	D	H	h	X	Y	t	Weight	Qty.	Shipping Unit	MSRP per PCS	Outdoor black Product No.	MSRP per PCS
HSSG10-01510	SG15	34	6.5	64	25	5	2.5	2.6	15	11	10	7g		1,000		BHSSG10-01510	
HSSG10-02010	SG20	40	13	70	↑	↑	↑	↑	↑	↑	↑	10g		1,000		BHSSG10-02010	
HSSU10-02010	20SU	34	6.5	64	↑	↑	↑	↑	↑	↑	↑	7g		1,000		BHSSU10-02010	
HSSU10-02510	25SU	40	13	70	↑	↑	↑	↑	↑	↑	↑	8g		1,000		BHSSU10-02510	
HSSU10-03010	30SU/SG25	46	13	76	↑	↑	↑	↑	↑	↑	↑	9g		1,000		BHSSU10-03010	
HSSU10-04010	40SU/SG32	56	26	86	↑	↑	↑	↑	↑	↑	↑	10g		1,000		BHSSU10-04010	
HSSU10-05010	50SU/SG40	62	26	92	↑	↑	↑	↑	↑	↑	↑	11g		1,000		BHSSU10-05010	
HSSU10-06010	60SU/SG50	74	39	104	↑	↑	↑	↑	↑	↑	↑	11g		1,000		BHSSU10-06010	
HSSU10-07510	75SU/SG65	88	52	118	↑	↑	↑	↑	↑	↑	↑	13g		1,000		BHSSU10-07510	
HSSU10-08010	80SU/SG80	101	65	131	↑	↑	↑	↑	↑	↑	↑	16g		1,000		BHSSU10-08010	
HSSU10-10010	100SU/SG100	126	91	156	↑	↑	↑	↑	↑	↑	↑	19g		1,000		BHSSU10-10010	

HONEYCOMB SPACER II[®] For U-bolt, U-band

9101

Height adjustment spacer SU pipe [Stainless pipe thin-walled]

SG pipe [Stainless pipe]



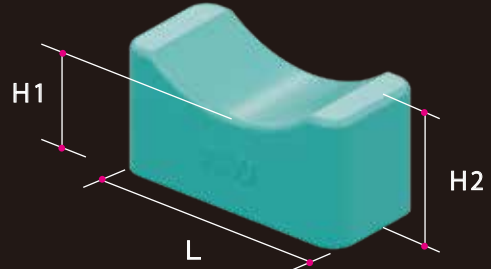
Stainless pipe thin-walled

SU

Stainless pipe

SG

HONEYCOMB spacer Type-II



✓RoHS2

Elastomer



-60°C +98°C



- ✓ Insulating resin: Elastomer (TPE)
- ✓ Resin color: AWJ blue

Chlorine FREE in main material

HONEYCOMB Spacer trademarked by AWJ co., Ltd.

PAT. 7179713

AWJ Blue Product No.	SU/SG Type	Pipe Diameter	P 1	L	W	H1	H2	Weight	Qty.	Shipping Unit	MSRP per PCS	Outdoor black Product No.	MSRP per PCS
HSSG20-0015	SG15	21.7	11.26	17	25	20	22.5	7g	250	250		BHSSG20-0015	
HSSG20-0020	SG20	27.2	13	23	↑	↑	23.0	9g	200	200		BHSSG20-0020	
HSSU20-0020	20SU	22.22	11.26	17	↑	↑	22.5	6g	250	250		BHSSU20-0020	
HSSU20-0025	25SU	28.58	13	23	↑	↑	23.0	9g	200	200		BHSSU20-0025	
HSSU20-0030	30SU/SG25	34.0	13	29	↑	↑	24.0	10g	180	180		BHSSU20-0030	
HSSU20-0040	40SU/SG32	42.7	26	38	↑	↑	24.5	13g	150	150		BHSSU20-0040	
HSSU20-0050	50SU/SG40	48.6	26	42	↑	↑	26.5	16g	130	130		BHSSU20-0050	
HSSU20-0060	60SU/SG50	60.5	39	54	↑	↑	27.0	19g	100	100		BHSSU20-0060	
HSSU20-0075	75SU/SG65	76.3	52	68	↑	↑	28.0	25g	80	80		BHSSU20-0075	
HSSU20-0080	80SU/SG80	89.1	65	81	↑	↑	29.0	33g	60	60		BHSSU20-0080	
HSSU20-0100	100SU/SG100	114.3	91	106	↑	↑	30.0	40g	50	50		BHSSU20-0100	

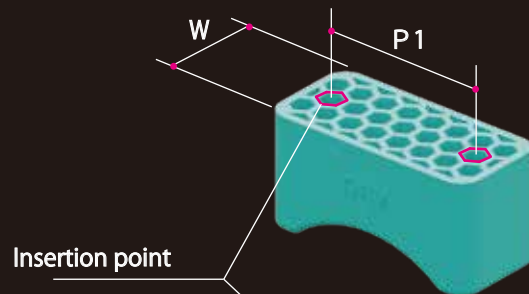
Outdoor Use HONEYCOMB spacer Type-II

- ✓ Insulating resin: Elastomer (TPE)
- ✓ Resin color: Outdoor black

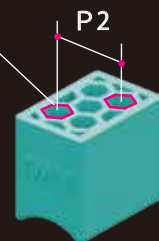


HONEYCOMB spacer Type-II

■ 25SU/SG20 ~ 100SU/SG100



■ 20SU/SG15



HONEYCOMB SPACER II[®] For U-bolt, U-band

9103

Shim-Plate for HONEYCOMB spacer Type-II

Stainless pipe thin-walled
SU

Stainless pipe
SG

■ 25SU/SG20 ~ 100SU/SG100

■ 20SU/SG15

Temperature range: -60°C to +98°C

- ✓ Insulating resin: Elastomer (TPE)
- ✓ Resin color: AWJ blue

Elastomer ✓RoHS2
Rebro
2D CAD 3D CAD

Chlorine FREE in main material

HONEYCOMB Spacer trademarked by AWJ co., Ltd.

Outdoor Use Shim-plate for HONEYCOMB spacer Type-II

- ✓ Insulating resin: Elastomer (TPE)
- ✓ Resin color: Outdoor black



3mm Shim-plate for Type-II (SU/SG)

AWJ Blue Product No.	SU/SG Type	P1	L	W	D	H	h	t	Weight	Qty.	Shipping Unit	MSRP per PCS	Outdoor black Product No.	MSRP per PCS
HSSG20-01503	SG15	34	64	25	5	2.5	2.6	3	2g		1,000		BHSSG20-01503	
HSSG20-02003	SG20	40	70	↑	↑	↑	↑	↑	2g		1,000		BHSSG20-02003	
HSSU20-02003	20SU	34	64	↑	↑	↑	↑	↑	1g		1,000		BHSSU20-02003	
HSSU20-02503	25SU	40	70	↑	↑	↑	↑	↑	2g		1,000		BHSSU20-02503	
HSSU20-03003	30SU/SG25	46	76	↑	↑	↑	↑	↑	2g		1,000		BHSSU20-03003	
HSSU20-04003	40SU/SG32	56	86	↑	↑	↑	↑	↑	2g		1,000		BHSSU20-04003	
HSSU20-05003	50SU/SG40	62	92	↑	↑	↑	↑	↑	3g		1,000		BHSSU20-05003	
HSSU20-06003	60SU/SG50	74	104	↑	↑	↑	↑	↑	3g		1,000		BHSSU20-06003	
HSSU20-07503	75SU/SG65	88	118	↑	↑	↑	↑	↑	4g		1,000		BHSSU20-07503	
HSSU20-08003	80SU/SG80	101	131	↑	↑	↑	↑	↑	5g		1,000		BHSSU20-08003	
HSSU20-10003	100SU/SG100	126	156	↑	↑	↑	↑	↑	7g		1,000		BHSSU20-10003	

5mm Shim-plate for Type-II (SU/SG)

AWJ Blue Product No.	SU/SG Type	P1	L	W	D	H	h	t	Weight	Qty.	Shipping Unit	MSRP per PCS	Outdoor black Product No.	MSRP per PCS
HSSG20-01505	SG15	34	64	25	5	2.5	2.6	5	2g		1,000		BHSSG20-01505	
HSSG20-02005	SG20	40	70	↑	↑	↑	↑	↑	3g		1,000		BHSSG20-02005	
HSSU20-02005	20SU	34	64	↑	↑	↑	↑	↑	1g		1,000		BHSSU20-02005	
HSSU20-02505	25SU	40	70	↑	↑	↑	↑	↑	2g		1,000		BHSSU20-02505	
HSSU20-03005	30SU/SG25	46	76	↑	↑	↑	↑	↑	2g		1,000		BHSSU20-03005	
HSSU20-04005	40SU/SG32	56	86	↑	↑	↑	↑	↑	3g		1,000		BHSSU20-04005	
HSSU20-05005	50SU/SG40	62	92	↑	↑	↑	↑	↑	3g		1,000		BHSSU20-05005	
HSSU20-06005	60SU/SG50	74	104	↑	↑	↑	↑	↑	4g		1,000		BHSSU20-06005	
HSSU20-07505	75SU/SG65	88	118	↑	↑	↑	↑	↑	5g		1,000		BHSSU20-07505	
HSSU20-08005	80SU/SG80	101	131	↑	↑	↑	↑	↑	6g		1,000		BHSSU20-08005	
HSSU20-10005	100SU/SG100	126	156	↑	↑	↑	↑	↑	8g		1,000		BHSSU20-10005	

10mm Shim-plate for Type-II (SU/SG)

AWJ Blue Product No.	SU/SG Type	P1	L	W	D	H	h	t	Weight	Qty.	Shipping Unit	MSRP per PCS	Outdoor black Product No.	MSRP per PCS
HSSG20-01510	SG15	34	64	25	5	2.5	2.6	10	3g		1,000		BHSSG20-01510	
HSSG20-02010	SG20	40	70	↑	↑	↑	↑	↑	4g		1,000		BHSSG20-02010	
HSSU20-02010	20SU	34	64	↑	↑	↑	↑	↑	3g		1,000		BHSSU20-02010	
HSSU20-02510	25SU	40	70	↑	↑	↑	↑	↑	3g		1,000		BHSSU20-02510	
HSSU20-03010	30SU/SG25	46	76	↑	↑	↑	↑	↑	4g		1,000		BHSSU20-03010	
HSSU20-04010	40SU/SG32	56	86	↑	↑	↑	↑	↑	5g		1,000		BHSSU20-04010	
HSSU20-05010	50SU/SG40	62	92	↑	↑	↑	↑	↑	6g		1,000		BHSSU20-05010	
HSSU20-06010	60SU/SG50	74	104	↑	↑	↑	↑	↑	7g		1,000		BHSSU20-06010	
HSSU20-07510	75SU/SG65	88	118	↑	↑	↑	↑	↑	10g		1,000		BHSSU20-07510	
HSSU20-08010	80SU/SG80	101	131	↑	↑	↑	↑	↑	11g		1,000		BHSSU20-08010	
HSSU20-10010	100SU/SG100	126	156	↑	↑	↑	↑	↑	14g		1,000		BHSSU20-10010	

FLATUBOLT® & HONEYCOMB SPACER® I SET

9104

Stainless pipe thin-walled

SU

Stainless pipe

SG

Chlorine FREE in main material

✓RoHS2

Elastomer

Rebro

2D CAD 3D CAD

-60°C +98°C

- ✓ Thermal insulation construction
- ✓ Piping height adjustment
- ✓ Elastomer (TPE)
- ✓ Resin color: AWJ blue
- ✓ Resin color: Outdoor black

PAT. 7057244
PAT. 7254015
PAT. 7179713
D. 1698612
D. 1698613

HONEYCOMB Spacer trademarked by AWJ co., Ltd.

Unichrome		SU/SG Type	MSRP per PCS	
Product No. [+30]	[+50]		[+30]	[+50]
HSG10349-0153	-0155	SG15		
HSG10349-0203	-0205	SG20		
HSU10349-0203	-0205	20SU		
HSU10349-0253	-0255	25SU		
HSU10349-0303	-0305	30SU/SG25		
HSU10349-0403	-0405	40SU/SG32		
HSU10349-0503	-0505	50SU/SG40		
HSU10349-0603	-0605	60SU/SG50		
HSU10349-0753	-0755	75SU/SG65		
HSU10349-0803	-0805	80SU/SG80		
HSU10349-1003	-1005	100SU/SG100		

Stainless		SU/SG Type	MSRP per PCS	
Product No. [+30]	[+50]		[+30]	[+50]
HSU10350-0153	-0155	SG15		
HSG10350-0203	-0205	SG20		
HSU10350-0203	-0205	20SU		
HSU10350-0253	-0255	25SU		
HSU10350-0303	-0305	30SU/SG25		
HSU10350-0403	-0405	40SU/SG32		
HSU10350-0503	-0505	50SU/SG40		
HSU10350-0603	-0605	60SU/SG50		
HSU10350-0753	-0755	75SU/SG65		
HSU10350-0803	-0805	80SU/SG80		
HSU10350-1003	-1005	100SU/SG100		

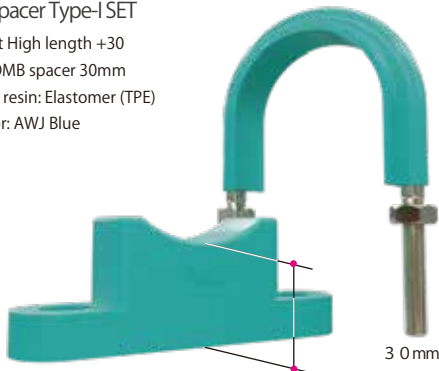
Unichrome

Stainless

Indoor use Flat U-Bolt High length +30, +50

HONEYCOMB spacer Type-I SET

- ✓ Flat U-Bolt High length +30
- ✓ HONEYCOMB spacer 30mm
- ✓ Insulating resin: Elastomer (TPE)
- ✓ Resin color: AWJ Blue



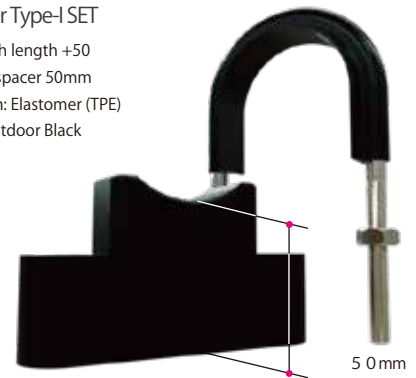
Hotdip galvanizing

Stainless

Outdoor use Flat U-Bolt High length +30, +50

HONEYCOMB spacer Type-I SET

- ✓ Flat U-Bolt High length +50
- ✓ HONEYCOMB spacer 50mm
- ✓ Insulating resin: Elastomer (TPE)
- ✓ Resin color: Outdoor Black



Hot-dip galvanizing		SU/SG Type	MSRP per PCS	
Product No. [+30]	[+50]		[+30]	[+50]
HSG10359-0153	-0155	SG15		
HSG10359-0203	-0205	SG20		
HSU10359-0203	-0205	20SU		
HSU10359-0253	-0255	25SU		
HSU10359-0303	-0305	30SU/SG25		
HSU10359-0403	-0405	40SU/SG32		
HSU10359-0503	-0505	50SU/SG40		
HSU10359-0603	-0605	60SU/SG50		
HSU10359-0753	-0755	75SU/SG65		
HSU10359-0803	-0805	80SU/SG80		
HSU10359-1003	-1005	100SU/SG100		

Stainless for outdoor use		SU/SG Type	MSRP per PCS	
Product No. [+30]	[+50]		[+30]	[+50]
HSG10354-0153	-0155	SG15		
HSG10354-0203	-0205	SG20		
HSU10354-0203	-0205	20SU		
HSU10354-0253	-0255	25SU		
HSU10354-0303	-0305	30SU/SG25		
HSU10354-0403	-0405	40SU/SG32		
HSU10354-0503	-0505	50SU/SG40		
HSU10354-0603	-0605	60SU/SG50		
HSU10354-0753	-0755	75SU/SG65		
HSU10354-0803	-0805	80SU/SG80		
HSU10354-1003	-1005	100SU/SG100		

FLATBOLT® & HONEYCOMB SPACER® II SET

9105

Elastomer ✓RoHS2
 Rebro
 2D CAD 3D CAD
 Chlorine FREE in main material
 Stainless pipe thin-walled
SU
 Stainless pipe
SG

- ✓ U-Bolt body: Trivalent unichromate plating
- ✓ Nut: Trivalent unichromate plating
- ✓ Insulating resin: Elastomer (TPE)
- ✓ Resin color: AWJ blue

PAT. 7057244
 PAT. 7254015
 PAT. 7179713

HONEYCOMB Spacer trademarked by AWJ co., Ltd.

Height adjustment spacer & shim-plate+30+50

SU pipe [Stainless pipe thin-walled]

SG pipe [Stainless pipe]

Unichrome		SU/SG Type	MSRP per PCS	
Product No. [+30]	[+50]		[+30]	[+50]
HSG20349-0153	-0155	SG15		
HSG20349-0203	-0205	SG20		
HSU20349-0203	-0205	20SU		
HSU20349-0253	-0255	25SU		
HSU20349-0303	-0305	30SU/SG25		
HSU20349-0403	-0405	40SU/SG32		
HSU20349-0503	-0505	50SU/SG40		
HSU20349-0603	-0605	60SU/SG50		
HSU20349-0753	-0755	75SU/SG65		
HSU20349-0803	-0805	80SU/SG80		
HSU20349-1003	-1005	100SU/SG100		

Stainless		SU/SG Type	MSRP per PCS	
Product No. [+30]	[+50]		[+30]	[+50]
HSU20350-0153	-0155	SG15		
HSG20350-0203	-0205	SG20		
HSU20350-0203	-0205	20SU		
HSU20350-0253	-0255	25SU		
HSU20350-0303	-0305	30SU/SG25		
HSU20350-0403	-0405	40SU/SG32		
HSU20350-0503	-0505	50SU/SG40		
HSU20350-0603	-0605	60SU/SG50		
HSU20350-0753	-0755	75SU/SG65		
HSU20350-0803	-0805	80SU/SG80		
HSU20350-1003	-1005	100SU/SG100		

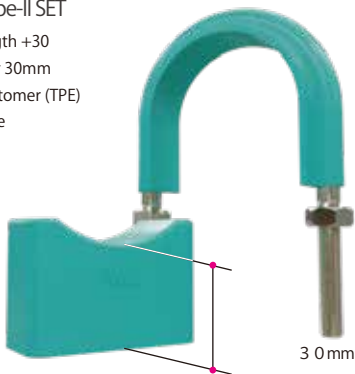
Unichrome

Stainless

Indoor use Flat U-Bolt High length +30, +50

HONEYCOMB spacer Type-II SET

- ✓ Flat U-Bolt High length +30
- ✓ HONEYCOMB spacer 30mm
- ✓ Insulating resin: Elastomer (TPE)
- ✓ Resin color: AWJ Blue



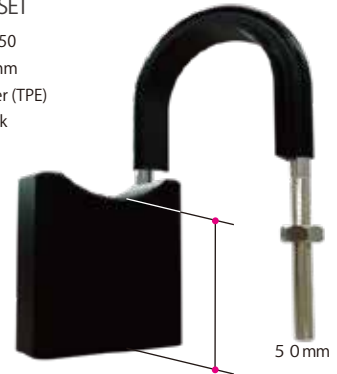
Hotdip galvanizing

Stainless

Outdoor use Flat U-Bolt High length +30, +50

HONEYCOMB spacer Type-II SET

- ✓ Flat U-Bolt High length +50
- ✓ HONEYCOMB spacer 50mm
- ✓ Insulating resin: Elastomer (TPE)
- ✓ Resin color: Outdoor Black



Hot-dip galvanizing		SU/SG Type	MSRP per PCS	
Product No. [+30]	[+50]		[+30]	[+50]
HSG20359-0153	-0155	SG15		
HSG20359-0203	-0205	SG20		
HSU20359-0203	-0205	20SU		
HSU20359-0253	-0255	25SU		
HSU20359-0303	-0305	30SU/SG25		
HSU20359-0403	-0405	40SU/SG32		
HSU20359-0503	-0505	50SU/SG40		
HSU20359-0603	-0605	60SU/SG50		
HSU20359-0753	-0755	75SU/SG65		
HSU20359-0803	-0805	80SU/SG80		
HSU20359-1003	-1005	100SU/SG100		

Stainless for outdoor use		SU/SG Type	MSRP per PCS	
Product No. [+30]	[+50]		[+30]	[+50]
HSG20354-0153	-0155	SG15		
HSG20354-0203	-0205	SG20		
HSU20354-0203	-0205	20SU		
HSU20354-0253	-0255	25SU		
HSU20354-0303	-0305	30SU/SG25		
HSU20354-0403	-0405	40SU/SG32		
HSU20354-0503	-0505	50SU/SG40		
HSU20354-0603	-0605	60SU/SG50		
HSU20354-0753	-0755	75SU/SG65		
HSU20354-0803	-0805	80SU/SG80		
HSU20354-1003	-1005	100SU/SG100		

HONEYCOMB SPACER[®] I & SHIM For Flat U-Bolt

9100

Height adjustment spacer & shim-plate SET SU pipe [Stainless pipe thin-walled] SG pipe [Stainless pipe]

Stainless pipe thin-walled

SU

Stainless pipe

SG

Height adjustment shim

PAT. 7057244
PAT. 7254015
PAT. 7179713
D. 1698612
D. 1698613

✓RoHS2 Elastomer

- ✓ HONEYCOMB spacer: Elastomer (TPE)
- ✓ Shim-plate: Elastomer (TPE)
- ✓ Resin color: AWJ blue
- ✓ Resin color: Outdoor black

Chlorine FREE in main material

HONEYCOMB Spacer trademarked by AWJ co., Ltd.

Difference(mm)	25SU	30SU	40SU	50SU	60SU	75SU	80SU	100SU	125SU	150SU	200SU			
		20SU												
			20SU											
25				150SU										
38	13				125SU									
51	25	13				100SU								
63	38	25	13				80SU							
70	48	31	20	6				75SU						
78	70	40	26	15	8				60SU					
83	78	45	33	20	13	6				50SU				
86	83	48	36	23	16	8	3				40SU			
91	86	53	40	28	20	13	8	5				30SU		
93	91	55	43	30	23	16	10	8	3				25SU	
98	93	58	46	33	26	20	13	10	6	3				20SU
200SU	150SU	125SU	100SU	80SU	75SU	60SU	50SU	40SU	30SU	25SU	Recommended(mm)			

HONEYCOMB SPACER[®] I SET

PAT. 7057244
 PAT. 7254015
 PAT. 7179713
 D. 1698612
 D. 1698613

9106

List of center height adjustment plate combinations for parallel piping

Reference piping 200SU/SG200 Height adjustment

AWJ Blue Product No.	SU/SG Type	Size	HONEYCOMB [®]				Spacer +Shim	Shipping Unit	MSRP per PCS	Outdoor black Product No.	MSRP per PCS
			Spacer	10mm	5mm	3mm					
HSSU10-15025	200SU/SG200 ⇒ 150SU/SG150	25		2	1		25mm	100		BHSSU10-15025	
HSSU10-12538	⇒ 125SU/SG125	38		3	1	1	38mm	100		BHSSU10-12538	
HSSU10-10051	⇒ 100SU/SG100	51	20mm	2	1	2	51mm	50		BHSSU10-10051	
HSSU10-08063	⇒ 80SU/SG80	63	20mm	4		1	63mm	50		BHSSU10-08063	
HSSU10-07570	⇒ 75SU/SG65	70	20mm	5			70mm	50		BHSSU10-07570	
HSSU10-06078	⇒ 60SU/SG50	78	20mm	5	1	1	78mm	50		BHSSU10-06078	
HSSU10-05083	⇒ 50SU/SG40	83	20mm	6		1	83mm	50		BHSSU10-05083	
HSSU10-04086	⇒ 40SU/SG32	86	20mm	6		2	86mm	50		BHSSU10-04086	
HSSU10-03091	⇒ 30SU/SG25	91	20mm	6	1	2	91mm	50		BHSSU10-03091	
HSSU10-02593	⇒ 25SU/SG20	93	20mm	7		1	93mm	50		BHSSU10-02593	
HSSU10-02098	⇒ 20SU/SG15	98	20mm	7	1	1	98mm	50		BHSSU10-02098	

Reference piping 150SU/SG150 Height adjustment

AWJ Blue Product No.	SU/SG Type	Size	HONEYCOMB [®]				Spacer +Shim	Shipping Unit	MSRP per PCS	Outdoor black Product No.	MSRP per PCS
			Spacer	10mm	5mm	3mm					
HSSU10-12513	150SU/SG150 ⇒ 125SU/SG125	13		1		1	13mm	300		BHSSU10-12513	
HSSU10-10025	⇒ 100SU/SG100	25	20mm		1		25mm	100		BHSSU10-10025	
HSSU10-08038	⇒ 80SU/SG80	38	20mm	1	1	1	38mm	50		BHSSU10-08038	
HSSU10-07548	⇒ 75SU/SG65	48	20mm	2	1	1	48mm	50		BHSSU10-07548	
HSSU10-06070	⇒ 60SU/SG50	70	20mm	5			70mm	50		BHSSU10-06070	
HSSU10-05078	⇒ 50SU/SG40	78	20mm	5	1	1	78mm	50		BHSSU10-05078	
HSSU10-04083	⇒ 40SU/SG32	83	20mm	6		1	83mm	50		BHSSU10-04083	
HSSU10-03086	⇒ 30SU/SG25	86	20mm	6		2	86mm	50		BHSSU10-03086	
HSSU10-02591	⇒ 25SU/SG20	91	20mm	6	1	2	91mm	50		BHSSU10-02591	
HSSU10-02093	⇒ 20SU/SG15	93	20mm	7		1	93mm	50		BHSSU10-02093	

Reference piping 125SU/SG125 Height adjustment

AWJ Blue Product No.	SU/SG Type	Size	HONEYCOMB [®]				Spacer +Shim	Shipping Unit	MSRP per PCS	Outdoor black Product No.	MSRP per PCS
			Spacer	10mm	5mm	3mm					
HSSU10-10012	125SU/SG125 ⇒ 100SU/SG100	12				4	12mm	100		BHSSU10-10012	
HSSU10-08025	⇒ 80SU/SG80	25	20mm		1		25mm	100		BHSSU10-08025	
HSSU10-07531	⇒ 75SU/SG65	31	20mm		1	2	31mm	100		BHSSU10-07531	
HSSU10-06040	⇒ 60SU/SG50	40	20mm	2			40mm	100		BHSSU10-06040	
HSSU10-05045	⇒ 50SU/SG40	45	20mm	2	1		45mm	100		BHSSU10-05045	
HSSU10-04048	⇒ 40SU/SG32	48	20mm	2	1	1	48mm	100		BHSSU10-04048	
HSSU10-03053	⇒ 30SU/SG25	53	20mm	3		1	53mm	100		BHSSU10-03053	
HSSU10-02555	⇒ 25SU/SG20	55	20mm	3	1		55mm	100		BHSSU10-02555	
HSSU10-02058	⇒ 20SU/SG15	58	20mm	3	1	1	58mm	100		BHSSU10-02058	

Reference piping 100SU/SG100 Height adjustment

AWJ Blue Product No.	SU/SG Type	Size	HONEYCOMB [®]				Spacer +Shim	Shipping Unit	MSRP per PCS	Outdoor black Product No.	MSRP per PCS
			Spacer	10mm	5mm	3mm					
HSSU10-08013	100SU/SG100 ⇒ 80SU/SG80	13		1		1	13mm	200		BHSSU10-08013	
HSSU10-07520	⇒ 75SU/SG65	20	20mm				20mm	200		BHSSU10-07520	
HSSU10-06026	⇒ 60SU/SG50	26	20mm			2	26mm	200		BHSSU10-06026	
HSSU10-05033	⇒ 50SU/SG40	33	20mm	1		1	33mm	200		BHSSU10-05033	
HSSU10-04036	⇒ 40SU/SG32	36	20mm	1		2	36mm	200		BHSSU10-04036	
HSSU10-03040	⇒ 30SU/SG25	40	20mm	2			40mm	200		BHSSU10-03040	
HSSU10-02543	⇒ 25SU/SG20	43	20mm	2		1	43mm	200		BHSSU10-02543	
HSSU10-02046	⇒ 20SU/SG15	46	20mm	2		2	46mm	200		BHSSU10-02046	

Height adjustment spacer & shim-plate SET SU pipe [Stainless pipe thin-walled] SG pipe [Stainless pipe]

HONEYCOMB SPACER[®] I SET

PAT. 7057244
 PAT. 7254015
 PAT. 7179713
 D. 1698612
 D. 1698613

9106

List of center height adjustment plate combinations for parallel piping

Reference piping 80SU/SG80 Height adjustment

AWJ Blue Product No.	SU/SG Type	Size	HONEYCOMB	Shim-plate			Spacer +Shim	Shipping Unit	MSRP per PCS	Outdoor black Product No.	MSRP per PCS
			Spacer	10mm	5mm	3mm					
HSSU10-07506	80SU/SG80 ⇨ 75SU/SG65	6				2	6mm	500		BHSSU10-07506	
HSSU10-06015	↑ ⇨ 60SU/SG50	15		1	1		15mm	300		BHSSU10-06015	
HSSU10-05020	⇨ 50SU/SG40	20	20mm				20mm	200		BHSSU10-05020	
HSSU10-04023	⇨ 40SU/SG32	23	20mm			1	23mm	300		BHSSU10-04023	
HSSU10-03028	⇨ 30SU/SG25	28	20mm		1	1	28mm	300		BHSSU10-03028	
HSSU10-02530	⇨ 25SU/SG20	30	20mm	1			30mm	300		BHSSU10-02530	
HSSU10-02033	⇨ 20SU/SG15	33	20mm	1		1	33mm	300		BHSSU10-02033	

Reference piping 75SU/SG65 Height adjustment

AWJ Blue Product No.	SU/SG Type	Size	HONEYCOMB	Shim-plate			Spacer +Shim	Shipping Unit	MSRP per PCS	Outdoor black Product No.	MSRP per PCS
			Spacer	10mm	5mm	3mm					
HSSU10-06008	75SU/SG65 ⇨ 60SU/SG50	8			1	1	8mm	500		BHSSU10-06008	
HSSU10-05013	↑ ⇨ 50SU/SG40	13		1		1	13mm	300		BHSSU10-05013	
HSSU10-04016	⇨ 40SU/SG32	16		1		2	16mm	300		BHSSU10-04016	
HSSU10-03020	⇨ 30SU/SG25	20	20mm				20mm	300		BHSSU10-03020	
HSSU10-02523	⇨ 25SU/SG20	23	20mm			1	23mm	300		BHSSU10-02523	
HSSU10-02026	⇨ 20SU/SG15	26	20mm			2	26mm	300		BHSSU10-02026	

Reference piping 60SU/SG50 Height adjustment

AWJ Blue Product No.	SU/SG Type	Size	HONEYCOMB	Shim-plate			Spacer +Shim	Shipping Unit	MSRP per PCS	Outdoor black Product No.	MSRP per PCS
			Spacer	10mm	5mm	3mm					
HSSU10-05006	60SU/SG50 ⇨ 50SU/SG40	6				2	6mm	500		BHSSU10-05006	
HSSU10-04008	↑ ⇨ 40SU/SG32	8			1	1	8mm	500		BHSSU10-04008	
HSSU10-03013	⇨ 30SU/SG25	13		1		1	13mm	300		BHSSU10-03013	
HSSU10-02516	⇨ 25SU/SG20	16		1		2	16mm	300		BHSSU10-02516	
HSSU10-02020	⇨ 20SU/SG15	20	20mm				20mm	300		BHSSU10-02020	

Reference piping 50SU/SG40 Height adjustment

AWJ Blue Product No.	SU/SG Type	Size	HONEYCOMB	Shim-plate			Spacer +Shim	Shipping Unit	MSRP per PCS	Outdoor black Product No.	MSRP per PCS
			Spacer	10mm	5mm	3mm					
HSSU10-04003	50SU/SG40 ⇨ 40SU/SG32	3				1	3mm	400		BHSSU10-04003	
HSSU10-03008	↑ ⇨ 30SU/SG25	8			1	1	8mm	500		BHSSU10-03008	
HSSU10-02510	⇨ 25SU/SG20	10		1			10mm	500		BHSSU10-02510	
HSSU10-02013	⇨ 20SU/SG15	13		1		1	13mm	500		BHSSU10-02013	

Reference piping 40SU/SG32 Height adjustment

AWJ Blue Product No.	SU/SG Type	Size	HONEYCOMB	Shim-plate			Spacer +Shim	Shipping Unit	MSRP per PCS	Outdoor black Product No.	MSRP per PCS
			Spacer	10mm	5mm	3mm					
HSSU10-03005	40SU/SG32 ⇨ 30SU/SG25	5			1		5mm	400		BHSSU10-03005	
HSSU10-02508	↑ ⇨ 25SU/SG20	8			1	1	8mm	500		BHSSU10-02508	
HSSU10-02010	⇨ 20SU/SG15	10		1			10mm	500		BHSSU10-02010	

Reference piping 30SU/SG20 Height adjustment

AWJ Blue Product No.	SU/SG Type	Size	HONEYCOMB	Shim-plate			Spacer +Shim	Shipping Unit	MSRP per PCS	Outdoor black Product No.	MSRP per PCS
			Spacer	10mm	5mm	3mm					
HSSU10-02503	30SU/SG25 ⇨ 25SU/SG20	3				1	3mm	500		BHSSU10-02503	
HSSU10-02006	↑ ⇨ 20SU/SG15	6				2	6mm	500		BHSSU10-02006	

Reference piping 25SU/SG15 Height adjustment

AWJ Blue Product No.	SU/SG Type	Size	HONEYCOMB	Shim-plate			Spacer +Shim	Shipping Unit	MSRP per PCS	Outdoor black Product No.	MSRP per PCS
			Spacer	10mm	5mm	3mm					
HSSU10-02003	25SU/SG20 ⇨ 20SU/SG15	3				1	3mm	500		BHSSU10-02003	

PAT. 7179713

HONEYCOMB Spacer trademarked by AWJ co., Ltd.

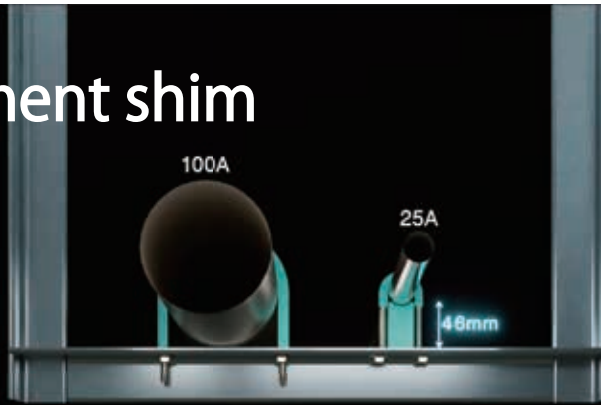
HONEYCOMB SPACER® II & SHIM

9107

Height adjustment spacer & shim-plate SET SU pipe [Stainless pipe thin-walled] SG pipe [Stainless pipe]

Height adjustment shim

PAT. 7179713



Stainless pipe thin-walled
SU
Stainless pipe
SG

✓RoHS2

Elastomer

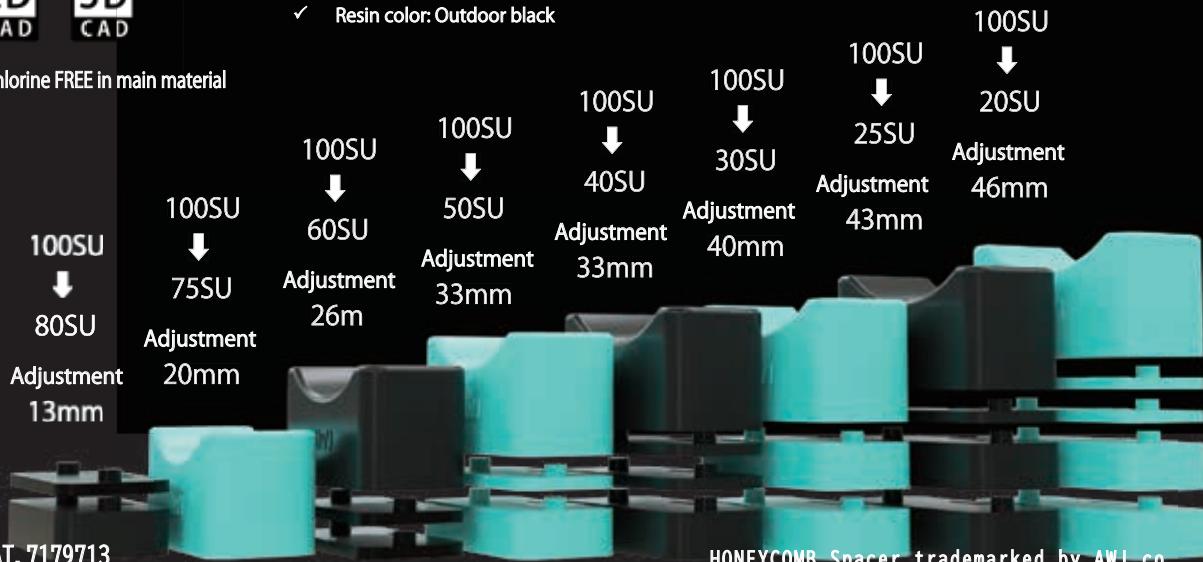
Rebro

-60°C ●●●●● ●●●●● +98°C

- ✓ HONEYCOMB spacer: Elastomer (TPE)
- ✓ Shim-plate: Elastomer (TPE)
- ✓ Resin color: AWJ blue
- ✓ Resin color: Outdoor black

2D CAD 3D CAD

Chlorine FREE in main material



PAT. 7179713

HONEYCOMB Spacer trademarked by AWJ co., Ltd.

Diameter(mm)	25SU	30SU	40SU	50SU	60SU	75SU	80SU	100SU	125SU	150SU	200SU	
	20SU	-3.18	-5.89	-10.24	-13.19	-19.14	-27.04	-33.54	-46.04	-58.79	-71.49	-97.04
200SU		25SU	-2.71	-7.06	-10.01	-15.96	-23.86	-30.36	-42.86	-55.61	-68.31	-93.85
25	150SU		30SU	-4.35	-7.30	-13.25	-21.15	-27.55	-40.15	-52.90	-65.60	-91.15
38	13	125SU		40SU	-2.95	-8.90	-16.80	-23.20	-35.80	-48.58	-61.25	-86.80
51	25	13	100SU		50SU	-5.95	-13.85	-20.25	-32.85	-45.60	-58.30	-83.85
63	38	25	13	80SU		60SU	-7.90	-14.30	-26.90	-39.65	-52.35	-77.90
70	48	31	20	6	75SU		75SU	-6.40	-19.00	-31.75	-44.45	-70.00
78	70	40	26	15	8	60SU		80SU	-12.60	-25.35	-38.05	-63.60
83	78	45	33	20	13	6	50SU		100SU	-12.75	-25.45	-51.00
86	83	48	36	23	16	8	3	40SU		125SU	-12.70	-38.25
91	86	53	40	28	20	13	8	5	30SU		150SU	-25.55
93	91	55	43	30	23	16	10	8	3	25SU		200SU
98	93	58	46	33	26	20	13	10	6	3	20SU	
200SU	150SU	125SU	100SU	80SU	75SU	60SU	50SU	40SU	30SU	25SU	Recommended(mm)	

HONEYCOMB SPACER® II SET

9107

List of center height adjustment plate combinations for parallel piping

Reference piping 200SU/SG200 Height adjustment

PAT. 7179713

AWJ Blue Product No.	SU/SG Type	Size	HONEYCOMB	Shim-plate			Spacer +Shim	Shipping Unit	MSRP per PCS	Outdoor black Product No.	MSRP per PCS
			Spacer	10mm	5mm	3mm					
HSSU20-15025	200SU/SG200 ⇒ 150SU/SG150	25		2	1		25mm	100		BHSSU20-15025	
HSSU20-12538	⇒ 125SU/SG125	38		3	1	1	38mm	100		BHSSU20-12538	
HSSU20-10051	⇒ 100SU/SG100	51	20mm	2	1	2	51mm	50		BHSSU20-10051	
HSSU20-08063	⇒ 80SU/SG80	63	20mm	4		1	63mm	50		BHSSU20-08063	
HSSU20-07570	⇒ 75SU/SG65	70	20mm	5			70mm	50		BHSSU20-07570	
HSSU20-06078	⇒ 60SU/SG50	78	20mm	5	1	1	78mm	50		BHSSU20-06078	
HSSU20-05083	⇒ 50SU/SG40	83	20mm	6		1	83mm	50		BHSSU20-05083	
HSSU20-04086	⇒ 40SU/SG32	86	20mm	6		2	86mm	50		BHSSU20-04086	
HSSU20-03091	⇒ 30SU/SG25	91	20mm	6	1	2	91mm	50		BHSSU20-03091	
HSSU20-02593	⇒ 25SU/SG20	93	20mm	7		1	93mm	50		BHSSU20-02593	
HSSU20-02098	⇒ 20SU/SG15	98	20mm	7	1	1	98mm	50		BHSSU20-02098	

Reference piping 150SU/SG150 Height adjustment

AWJ Blue Product No.	SU/SG Type	Size	HONEYCOMB	Shim-plate			Spacer +Shim	Shipping Unit	MSRP per PCS	Outdoor black Product No.	MSRP per PCS
			Spacer	10mm	5mm	3mm					
HSSU20-12513	150SU/SG150 ⇒ 125SU/SG125	13		1		1	13mm	300		BHSSU20-12513	
HSSU20-10025	⇒ 100SU/SG100	25	20mm		1		25mm	100		BHSSU20-10025	
HSSU20-08038	⇒ 80SU/SG80	38	20mm	1	1	1	38mm	50		BHSSU20-08038	
HSSU20-07548	⇒ 75SU/SG65	48	20mm	2	1	1	48mm	50		BHSSU20-07548	
HSSU20-06070	⇒ 60SU/SG50	70	20mm	5			70mm	50		BHSSU20-06070	
HSSU20-05078	⇒ 50SU/SG40	78	20mm	5	1	1	78mm	50		BHSSU20-05078	
HSSU20-04083	⇒ 40SU/SG32	83	20mm	6		1	83mm	50		BHSSU20-04083	
HSSU20-03086	⇒ 30SU/SG25	86	20mm	6		2	86mm	50		BHSSU20-03086	
HSSU20-02591	⇒ 25SU/SG20	91	20mm	6	1	2	91mm	50		BHSSU20-02591	
HSSU20-02093	⇒ 20SU/SG15	93	20mm	7		1	93mm	50		BHSSU20-02093	

Reference piping 125SU/SG125 Height adjustment

AWJ Blue Product No.	SU/SG Type	Size	HONEYCOMB	Shim-plate			Spacer +Shim	Shipping Unit	MSRP per PCS	Outdoor black Product No.	MSRP per PCS
			Spacer	10mm	5mm	3mm					
HSSU20-10012	125SU/SG125 ⇒ 100SU/SG100	12				4	12mm	100		BHSSU20-10012	
HSSU20-08025	⇒ 80SU/SG80	25	20mm		1		25mm	100		BHSSU20-08025	
HSSU20-07531	⇒ 75SU/SG65	31	20mm		1	2	31mm	100		BHSSU20-07531	
HSSU20-06040	⇒ 60SU/SG50	40	20mm	2			40mm	100		BHSSU20-06040	
HSSU20-05045	⇒ 50SU/SG40	45	20mm	2	1		45mm	100		BHSSU20-05045	
HSSU20-04048	⇒ 40SU/SG32	48	20mm	2	1	1	48mm	100		BHSSU20-04048	
HSSU20-03053	⇒ 30SU/SG25	53	20mm	3		1	53mm	100		BHSSU20-03053	
HSSU20-02555	⇒ 25SU/SG20	55	20mm	3	1		55mm	100		BHSSU20-02555	
HSSU20-02058	⇒ 20SU/SG15	58	20mm	3	1	1	58mm	100		BHSSU20-02058	

Reference piping 100SU/SG100 Height adjustment

AWJ Blue Product No.	SU/SG Type	Size	HONEYCOMB	Shim-plate			Spacer +Shim	Shipping Unit	MSRP per PCS	Outdoor black Product No.	MSRP per PCS
			Spacer	10mm	5mm	3mm					
HSSU20-08013	100SU/SG100 ⇒ 80SU/SG80	13		1		1	13mm	200		BHSSU20-08013	
HSSU20-07520	⇒ 75SU/SG65	20	20mm				20mm	200		BHSSU20-07520	
HSSU20-06026	⇒ 60SU/SG50	26	20mm			2	26mm	200		BHSSU20-06026	
HSSU20-05033	⇒ 50SU/SG40	33	20mm	1		1	33mm	200		BHSSU20-05033	
HSSU20-04036	⇒ 40SU/SG32	36	20mm	1		2	36mm	200		BHSSU20-04036	
HSSU20-03040	⇒ 30SU/SG25	40	20mm	2			40mm	200		BHSSU20-03040	
HSSU20-02543	⇒ 25SU/SG20	43	20mm	2		1	43mm	200		BHSSU20-02543	
HSSU20-02046	⇒ 20SU/SG15	46	20mm	2		2	46mm	200		BHSSU20-02046	

HONEYCOMB SPACER[®] II SET

9107

List of center height adjustment plate combinations for parallel piping

Reference piping 80SU/SG80 Height adjustment

PAT. 7179713

AWJ Blue Product No.	SU/SG Type	Size	HONEYCOMB	Shim-plate			Spacer +Shim	Shipping Unit	MSRP per PCS	Outdoor black Product No.	MSRP per PCS
			Spacer	10mm	5mm	3mm					
HSSU20-07506	80SU/SG80 ⇒ 75SU/SG65	6				2	6mm	500		BHSSU20-07506	
HSSU20-06015	↑ ⇒ 60SU/SG50	15		1	1		15mm	300		BHSSU20-06015	
HSSU20-05020	⇒ 50SU/SG40	20	20mm				20mm	200		BHSSU20-05020	
HSSU20-04023	⇒ 40SU/SG32	23	20mm			1	23mm	300		BHSSU20-04023	
HSSU20-03028	⇒ 30SU/SG25	28	20mm		1	1	28mm	300		BHSSU20-03028	
HSSU20-02530	⇒ 25SU/SG20	30	20mm	1			30mm	300		BHSSU20-02530	
HSSU20-02033	⇒ 20SU/SG15	33	20mm	1		1	33mm	300		BHSSU20-02033	

Reference piping 75SU/SG65 Height adjustment

AWJ Blue Product No.	SU/SG Type	Size	HONEYCOMB	Shim-plate			Spacer +Shim	Shipping Unit	MSRP per PCS	Outdoor black Product No.	MSRP per PCS
			Spacer	10mm	5mm	3mm					
HSSU20-06008	75SU/SG65 ⇒ 60SU/SG50	8			1	1	8mm	500		BHSSU20-06008	
HSSU20-05013	↑ ⇒ 50SU/SG40	13		1		1	13mm	500		BHSSU20-05013	
HSSU20-04016	⇒ 40SU/SG32	16		1		2	16mm	500		BHSSU20-04016	
HSSU20-03020	⇒ 30SU/SG25	20	20mm				20mm	200		BHSSU20-03020	
HSSU20-02523	⇒ 25SU/SG20	23	20mm			1	23mm	500		BHSSU20-02523	
HSSU20-02026	⇒ 20SU/SG15	26	20mm			2	26mm	500		BHSSU20-02026	

Reference piping 60SU/SG50 Height adjustment

AWJ Blue Product No.	SU/SG Type	Size	HONEYCOMB	Shim-plate			Spacer +Shim	Shipping Unit	MSRP per PCS	Outdoor black Product No.	MSRP per PCS
			Spacer	10mm	5mm	3mm					
HSSU20-05006	60SU/SG50 ⇒ 50SU/SG40	6				2	6mm	500		BHSSU20-05006	
HSSU20-04008	↑ ⇒ 40SU/SG32	8			1	1	8mm	500		BHSSU20-04008	
HSSU20-03013	⇒ 30SU/SG25	13		1		1	13mm	300		BHSSU20-03013	
HSSU20-02516	⇒ 25SU/SG20	16		1		2	16mm	500		BHSSU20-02516	
HSSU20-02020	⇒ 20SU/SG15	20	20mm				20mm	300		BHSSU20-02020	

Reference piping 50SU/SG40 Height adjustment

AWJ Blue Product No.	SU/SG Type	Size	HONEYCOMB	Shim-plate			Spacer +Shim	Shipping Unit	MSRP per PCS	Outdoor black Product No.	MSRP per PCS
			Spacer	10mm	5mm	3mm					
HSSU20-04003	50SU/SG40 ⇒ 40SU/SG32	3				1	3mm	400		BHSSU20-04003	
HSSU20-03008	↑ ⇒ 30SU/SG25	8			1	1	8mm	500		BHSSU20-03008	
HSSU20-02510	⇒ 25SU/SG20	10		1			10mm	500		BHSSU20-02510	
HSSU20-02013	⇒ 20SU/SG15	13		1		1	13mm	500		BHSSU20-02013	

Reference piping 40SU/SG32 Height adjustment

AWJ Blue Product No.	SU/SG Type	Size	HONEYCOMB	Shim-plate			Spacer +Shim	Shipping Unit	MSRP per PCS	Outdoor black Product No.	MSRP per PCS
			Spacer	10mm	5mm	3mm					
HSSU20-03005	40SU/SG32 ⇒ 30SU/SG25	5			1		5mm	400		BHSSU20-03005	
HSSU20-02508	↑ ⇒ 25SU/SG20	8			1	1	8mm	500		BHSSU20-02508	
HSSU20-02010	⇒ 20SU/SG15	10		1			10mm	500		BHSSU20-02010	

Reference piping 30SU/SG20 Height adjustment

AWJ Blue Product No.	SU/SG Type	Size	HONEYCOMB	Shim-plate			Spacer +Shim	Shipping Unit	MSRP per PCS	Outdoor black Product No.	MSRP per PCS
			Spacer	10mm	5mm	3mm					
HSSU20-02503	30SU/SG25 ⇒ 25SU/SG20	3				1	3mm	400		BHSSU20-02503	
HSSU20-02006	↑ ⇒ 20SU/SG15	6				2	6mm	500		BHSSU20-02006	

Reference piping 25SU/SG15 Height adjustment

AWJ Blue Product No.	SU/SG Type	Size	HONEYCOMB	Shim-plate			Spacer +Shim	Shipping Unit	MSRP per PCS	Outdoor black Product No.	MSRP per PCS
			Spacer	10mm	5mm	3mm					
HSSU20-02013	25SU/SG20 ⇒ 20SU/SG15	3				1	3mm	500		BHSSU20-02003	

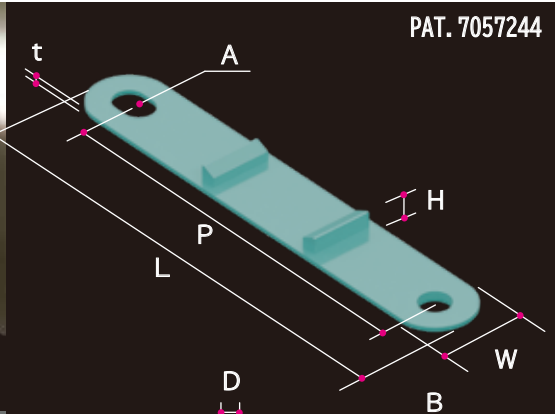
INSULATING PLATE Stabilizer Plate

9032 9033

PAT. 7057244

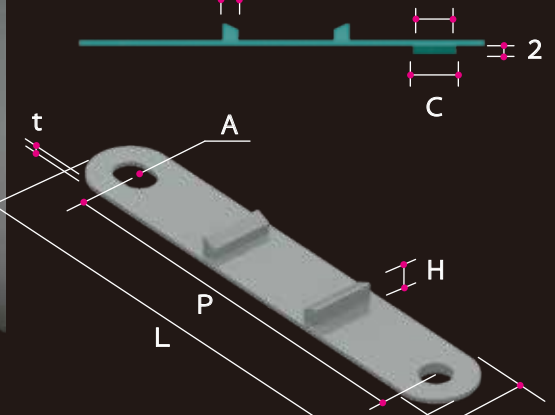
Stainless pipe thin-walled

SU



Rigid PVC pipe

VP



✓RoHS2

Elastomer



-60°C +98°C

- ✓ Insulating Resin: Elastomer (TPE)
- ✓ Resin color: AWJ blue
- ✓ Resin color: VP gray
- ✓ Resin color: Outdoor black

Chlorine FREE in main material



S U Outdoor black



V P Outdoor black

Stabilizer plate [For SU]

Unichrome Product No.	SU Type	A	L	P	W	t	B	C	D	H	Shipping Unit	MSRP per PCS	Outdoor black Product No.	MSRP per PCS
E11115-0013	13SU	10×11	53.5	28	25	1.5	10	10.8	4	3.5	200		EB11115-0013	
E11115-0020	20SU	↑	59.5	34	↑	↑	↑	↑	↑	↑	200		EB11115-0020	
E11115-0025	25SU	10×12	66.5	40.5	↑	↑	↑	↑	↑	↑	200		EB11115-0025	
E11115-0030	30SU	↑	72.5	46.5	↑	↑	↑	↑	↑	↑	150		EB11115-0030	
E11115-0040	40SU	10×13	83	56.5	↑	↑	↑	↑	↑	4	150		EB11115-0040	
E11115-0050	50SU	↑	89	62.5	↑	↑	↑	↑	↑	↑	150		EB11115-0050	
E11115-0060	60SU	↑	101	74.5	↑	↑	↑	↑	↑	↑	100		EB11115-0060	
E11115-0075	75SU	10×14	116	89	↑	↑	↑	↑	↑	↑	100		EB11115-0075	
E11115-0080	80SU	↑	129	102	↑	↑	↑	↑	5	5	100		EB11115-0080	
E11115-0100	100SU	↑	154	127	↑	↑	↑	↑	↑	↑	100		EB11115-0100	
E11115-0125	125SU	13×19	190	154	30	1.8	12.8	13.8	6	6	100		EB11115-0125	
E11115-0150	150SU	↑	218	182	↑	↑	↑	↑	↑	↑	100		EB11115-0150	
E11115-0200	200SU	↑	268	232	↑	↑	↑	↑	↑	↑	100		EB11115-0200	
E11115-0250	250SU	16×24	331	286	40	↑	16	17.8	7	7	100		EB11115-0250	
E11115-0300	300SU	↑	386	341	↑	↑	↑	↑	↑	↑	100		EB11115-0300	

Stabilizer plate [For VP]

Unichrome Product No.	VP Type	A	L	P	W	t	B	C	D	H	Shipping Unit	MSRP per PCS	Outdoor black Product No.	MSRP per PCS
E11116-0016	VP16	10×11	59.5	34	25	1.5	10	10.8	4	3.5	200		EB11116-0016	
E11116-0020	VP20	10×12	66.5	40.5	↑	↑	↑	↑	↑	↑	200		EB11116-0020	
E11116-0025	VP25	↑	72.5	46.5	↑	↑	↑	↑	↑	↑	150		EB11116-0025	
E11116-0030	VP30	10×13	83	56.5	↑	↑	↑	↑	↑	4	150		EB11116-0030	
E11116-0040	VP40	↑	89	62.5	↑	↑	↑	↑	↑	↑	150		EB11116-0040	
E11116-0050	VP50	↑	101	74.5	↑	↑	↑	↑	↑	↑	100		EB11116-0050	
E11116-0065	VP65	10×14	116	89	↑	↑	↑	↑	↑	↑	100		EB11116-0065	
E11116-0075	VP75	↑	129	102	↑	↑	↑	↑	5	5	100		EB11116-0075	
E11116-0100	VP100	↑	154	127	↑	↑	↑	↑	↑	↑	100		EB11116-0100	
E11116-0125	VP125	13×19	190	154	30	1.8	12.8	13.8	6	6	100		EB11116-0125	
E11116-0150	VP150	↑	218	182	↑	↑	↑	↑	↑	↑	100		EB11116-0150	
E11116-0200	VP200	↑	268	232	↑	↑	↑	↑	↑	↑	100		EB11116-0200	
E11116-0250	VP250	16×24	331	286	40	↑	16	17.8	7	7	100		EB11116-0250	
E11116-0300	VP300	↑	386	341	↑	↑	↑	↑	↑	↑	100		EB11116-0300	

INSULATING PLATE Stabilizer Plate

9034 9035

PAT. 7057244

Stainless pipe
SG

Polyethylene pipe
TP

Elastomer **RoHS2**

Rebro

2D CAD 3D CAD

-60°C +98°C

- ✓ Insulating Resin: Elastomer (TPE)
- ✓ Resin color: AWJ blue
- ✓ Resin color: Super Tough-Poly blue

Chlorine FREE in main material

SG Outdoor black

TP Outdoor black

Stabilizer plate [For SG]

Unichrome Product No.	SG Type	A	L	P	W	t	B	C	D	H	Shipping Unit	MSRP per PCS	Outdoor black Product No.	MSRP per PCS
E11117-0015	SG15	↑	59.5	34	25	1.5	10	10.8	4	3.5	200		EB11117-0015	
E11117-0020	SG20	10×12	66.5	40.5	↑	↑	↑	↑	↑	↑	200		EB11117-0020	
E11117-0025	SG25	↑	72.5	46.5	↑	↑	↑	↑	↑	↑	150		EB11117-0025	
E11117-0032	SG32	10×13	83	56.5	↑	↑	↑	↑	↑	4	150		EB11117-0032	
E11117-0040	SG40	↑	89	62.5	↑	↑	↑	↑	↑	↑	150		EB11117-0040	
E11117-0050	SG50	↑	101	74.5	↑	↑	↑	↑	↑	↑	100		EB11117-0050	
E11117-0065	SG65	10×14	116	89	↑	↑	↑	↑	↑	↑	100		EB11117-0065	
E11117-0080	SG80	↑	129	102	↑	↑	↑	↑	5	5	100		EB11117-0080	
E11117-0100	SG100	↑	154	127	↑	↑	↑	↑	↑	↑	100		EB11117-0100	
E11117-0125	SG125	13×19	190	154	30	1.8	12.8	13.8	6	6	100		EB11117-0125	
E11117-0150	SG150	↑	218	182	↑	↑	↑	↑	↑	↑	100		EB11117-0150	
E11117-0200	SG200	↑	268	232	↑	↑	↑	↑	↑	↑	100		EB11117-0200	
E11117-0250	SG250	16×24	331	286	40	↑	16	17.8	7	7	100		EB11117-0250	
E11117-0300	SG300	↑	386	341	↑	↑	↑	↑	↑	↑	100		EB11117-0300	

Stabilizer plate[For TP]

Unichrome Product No.	SG Type	A	L	P	W	t	B	C	D	H	Shipping Unit	MSRP per PCS	Outdoor black Product No.	MSRP per PCS
E11118-0020	TP20	10×12	66.5	40.5	25	1.5	10	10.8	4	3.5	200		EB11118-0020	
E11118-0025	TP25	↑	72.5	46.5	↑	↑	↑	↑	↑	↑	150		EB11118-0025	
E11118-0030	TP30	10×13	83	56.5	↑	↑	↑	↑	↑	4	150		EB11118-0030	
E11118-0040	TP40	↑	89	62.5	↑	↑	↑	↑	↑	↑	150		EB11118-0040	
E11118-0050	TP50	↑	101	74.5	↑	↑	↑	↑	↑	↑	100		EB11118-0050	
E11118-0065	TP65	10×14	116	89	↑	↑	↑	↑	↑	↑	100		EB11118-0065	
E11118-0075	TP75	↑	129	102	↑	↑	↑	↑	5	5	100		EB11118-0075	
E11118-0100	TP100	↑	165	138	↑	↑	↑	↑	↑	↑	100		EB11118-0100	
E11118-0125	TP125	13×19	190	154	30	1.8	12.8	13.8	6	6	100		EB11118-0125	
E11118-0150	TP150	↑	231	195	↑	↑	↑	↑	↑	↑	100		EB11118-0150	
E11118-0200	TP200	↑	302	226	↑	↑	↑	↑	↑	↑	100		EB11118-0200	
E11118-0250	TP250	16×24	386	341	40	↑	16	17.8	7	7	100		EB11118-0250	

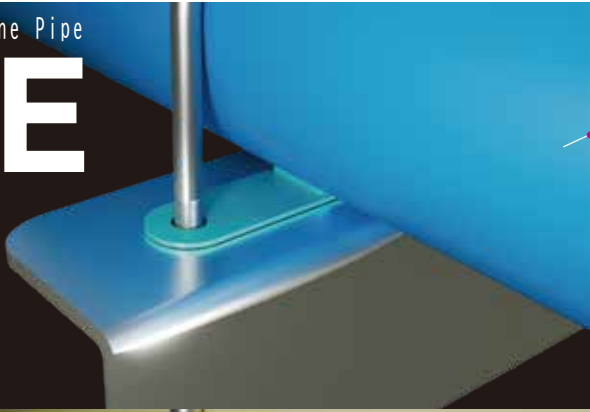
INSULATING PLATE Stabilizer Plate

9036 9037

PAT. 7057244

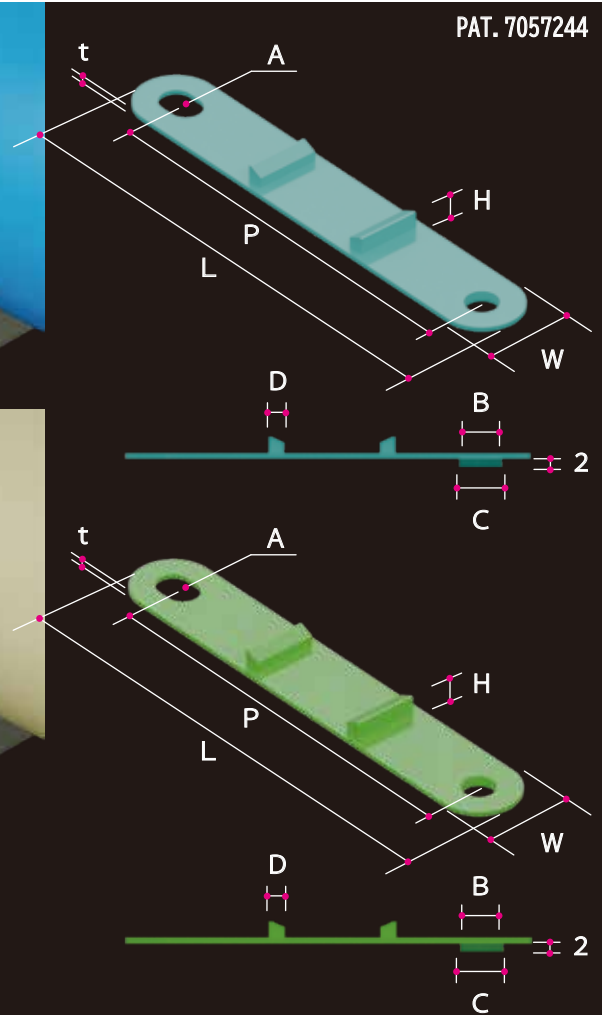
Polyethylene Pipe

PE



Polybutene Pipe

PB



✓RoHS2 Elastomer



-60°C +98°C



- ✓ Insulating Resin: Elastomer (TPE)
- ✓ Resin color: AWJ blue
- ✓ Resin color: AWJ green

Chlorine FREE in main material



PE Outdoor black

Stabilizer plate [For PE]

Unichrome Product No.	PE Type	A	L	P	W	t	B	C	D	H	Shipping Unit	MSRP per PCS	Outdoor black Product No.	MSRP per PCS
E11119-0020	PE20	10×12	66.5	40.5	25	1.5	10	10.8	4	3.5	200		EB11119-0020	
E11119-0025	PE25	↑	72.5	46.5	↑	↑	↑	↑	↑	↑	150		EB11119-0025	
E11119-0030	PE30	10×13	83	56.5	↑	↑	↑	↑	↑	4	150		EB11119-0030	
E11119-0040	PE40	↑	89	62.5	↑	↑	↑	↑	↑	↑	150		EB11119-0040	
E11119-0050	PE50	↑	101	74.5	↑	↑	↑	↑	↑	↑	100		EB11119-0050	
E11119-0065	PE65	10×14	116	89	↑	↑	↑	↑	↑	↑	100		EB11119-0065	
E11119-0075	PE75	↑	129	102	↑	↑	↑	↑	5	5	100		EB11119-0080	
E11119-0100	PE100	↑	154	127	↑	↑	↑	↑	↑	↑	100		EB11119-0100	
E11119-0125	PE125	13×19	190	154	30	1.8	12.8	13.8	6	6	100		EB11119-0125	
E11119-0150	PE150	↑	218	182	↑	↑	↑	↑	↑	↑	100		EB11119-0150	
E11119-0200	PE200	↑	268	232	↑	↑	↑	↑	↑	↑	100		EB11119-0200	

Stabilizer plate [For PB]

Unichrome Product No.	PB Type	A	L	P	W	t	B	C	D	H	Shipping Unit	MSRP per PCS	Outdoor black Product No.	MSRP per PCS
E11120-0016	PB16	10×11	59.5	34	25	1.5	10	10.8	4	3.5	200			
E11120-0020	PB20	10×12	66.5	40.5	↑	↑	↑	↑	↑	↑	200			
E11120-0025	PB25	↑	72.5	46.5	↑	↑	↑	↑	↑	↑	150			
E11120-0030	PB30	10×13	83	56.5	↑	↑	↑	↑	↑	4	150			
E11120-0040	PB40	↑	89	62.5	↑	↑	↑	↑	↑	↑	150			
E11120-0050	PB50	↑	101	74.5	↑	↑	↑	↑	↑	↑	100			
E11120-0065	PB65	10×14	116	89	↑	↑	↑	↑	↑	↑	100			
E11120-0075	PB75	↑	129	102	↑	↑	↑	↑	5	5	100			
E11120-0100	PB100	↑	154	127	↑	↑	↑	↑	↑	↑	100			

Insulating Plate Stabilizer Plate PE pipe [Polyethylene pipe] PB pipe [Polybutene pipe]

INSULATING PLATE PP Plate, ETFE Plate

9039 9040

Polypropylene resin plate

Insulating plate for U-Bolt
PP

✓ Insulating Resin: Polypropylene (PP)
✓ Resin color: Milky white

-30°C +80°C

Fluoro resin plate

Insulating plate for U-Bolt
ETFE

✓ Insulating Resin: Fluoro resin (ETFE)
✓ Resin color: White

-60°C +180°C

Chlorine FREE in main material

Insulating Plate
PP Plate [Polypropylene resin]
ETFE Plate [Fluoro resin]

M6 [W1/4]

PP Insulating plate for U-Bolt

ETFE Insulating plate for U-Bolt

PP Plate Product No.	Size	Type	Diameter	P	L	W	A	a	b	t	Shipping Unit	MSRP per PCS	ETFE Plate Product No.	t	Shipping Unit	MSRP per PCS	
A11120-0008	M6 (W1/4)	8A	13.8	21	42	14	7×11	5	3.5	1.5	500		A11128-0008	1.5	5		
A11120-0010		10A	17.3	25	46						500		A11128-0010				
A11120-0015		15A	21.7	29.5	50.5						500		A11128-0015				
A11120-0020		20A	27.2	34	55						500		A11128-0020				
A11120-0025		25A	34.0	41	62						500		A11128-0025				
A11120-0032		32A	42.7	50.5	71.5						500		A11128-0032				
A11120-0040		40A	48.6	57	78						500		A11128-0040				
A11120-0050		50A	60.5	70	91						500		A11128-0050				

M8 [W5/16]

PP Insulating plate for U-Bolt

ETFE Insulating plate for U-Bolt

PP Plate Product No.	Size	Type	Diameter	P	L	W	A	a	b	t	Shipping Unit	MSRP per PCS	ETFE Plate Product No.	t	Shipping Unit	MSRP per PCS	
A11121-0010	M8 (W5/16)	10A	17.3	27	50	15	9×13	5	3	1.5	500		A11129-0010	1.5	5		
A11121-0015		15A	21.7	31	54						500		A11129-0015				
A11121-0020		20A	27.2	37	60						500		A11129-0020				
A11121-0025		25A	34.0	44	67						500		A11129-0025				
A11121-0032		32A	42.7	52	75						500		A11129-0032				
A11121-0040		40A	48.6	59	82						500		A11129-0040				
A11121-0050		50A	60.5	72	95						500		A11129-0050				
A11121-0065		65A	76.3	86	109						500		A11129-0065				
A11121-0080	80A	89.1	99	122						500		A11129-0080					

INSULATING PLATE PP Plate, ETFE Plate

9039 9040

M10 [W3/8]

PP Insulating plate for U-Bolt

ETFE Insulating plate for U-Bolt

PP Plate Product No.	Size	Type	Diameter	P	L	W	A	a	b	t	Shipping Unit	MSRP per PCS	ETFE Plate Product No.	t	Shipping Unit	MSRP per PCS
A11122-0010	M10 (W3/8)	10A	17.3	28	57	14	7×11	7	7	1.5	500		A11130-0010	1.5	50	
A11122-0015	↑	15A	21.7	34	63	↑	↑	↑	↑	↑	500		A11130-0015	↑	50	
A11122-0020		20A	27.2	40	69	↑	↑	↑	↑	↑	500		A11130-0020	↑	50	
A11122-0025		25A	34.0	46	75	↑	↑	↑	↑	↑	500		A11130-0025	↑	50	
A11122-0032		32A	42.7	56	85	↑	↑	↑	↑	↑	500		A11130-0032	↑	50	
A11122-0040		40A	48.6	62	91	↑	↑	↑	↑	↑	500		A11130-0040	↑	50	
A11122-0050		50A	60.5	74	103	↑	↑	↑	↑	↑	500		A11130-0050	↑	50	
A11122-0065		65A	76.3	88	117	↑	↑	↑	↑	↑	500		A11130-0065	↑	50	
A11122-0080		80A	89.1	101	130	↑	↑	↑	↑	↑	500		A11130-0080	↑	50	
A11122-0090		90A	101.6	115	144	↑	↑	↑	↑	↑	500		A11130-0090	↑	50	
A11122-0100		100A	114.3	126	161	↑	↑	10	↑	↑	500		A11130-0100	↑	30	
A11122-0125		125A	139.8	152	187	↑	↑	↑	↑	↑	500		A11130-0125	↑	30	
A11122-0150		150A	165.2	180	215	↑	↑	↑	↑	↑	500		A11130-0150	↑	30	
A11122-0200		200A	216.3	230	275	↑	↑	↑	↑	2	500		A11130-0200	↑	30	
A11121-0250		250A	267.4	280	325	↑	↑	↑	↑	↑	500		A11130-0250	↑	30	

M12 [W1/2]

PP Insulating plate for U-Bolt

ETFE Insulating plate for U-Bolt

PP Plate Product No.	Size	Type	Diameter	P	L	W	A	a	b	t	Shipping Unit	MSRP per PCS	ETFE Plate Product No.	t	Shipping Unit	MSRP per PCS
A11123-0025	M12 (W1/2)	25A	34.0	48	84	30	13×16	10	8.5	1.5	500		A11131-0025	1.5	50	
A11123-0032	↑	32A	42.7	57	93	↑	↑	↑	↑	↑	500		A11131-0032	↑	50	
A11123-0040		40A	48.6	63	99	↑	↑	↑	↑	↑	500		A11131-0040	↑	50	
A11123-0050		50A	60.5	76	112	↑	↑	↑	↑	↑	500		A11131-0050	↑	50	
A11123-0065		65A	76.3	90	126	↑	↑	↑	↑	↑	500		A11131-0065	↑	30	
A11123-0080		80A	89.1	103	139	↑	↑	↑	↑	↑	500		A11131-0080	↑	30	
A11123-0090		90A	101.6	116	152	↑	↑	↑	↑	↑	500		A11131-0090	↑	30	
A11123-0100		100A	114.3	129	165	↑	↑	↑	↑	↑	500		A11131-0100	↑	30	
A11123-0125		125A	139.8	154	190	↑	↑	↑	↑	↑	500		A11131-0125	↑	30	
A11123-0150		150A	165.2	182	218	↑	↑	↑	↑	↑	500		A11131-0150	↑	30	
A11123-0200		200A	216.3	232	278	↑	↑	10	↑	2	500		A11131-0200	↑	30	
A11123-0250		250A	267.4	282	328	↑	↑	↑	↑	↑	500		A11131-0250	↑	30	
A11123-0300		300A	318.5	332	378	↑	↑	↑	↑	↑	500		A11131-0300	↑	30	

M16 [W5/8]

PP Insulating plate for U-Bolt

ETFE Insulating plate for U-Bolt

PP Plate Product No.	Size	Type	Diameter	P	L	W	A	a	b	t	Shipping Unit	MSRP per PCS	ETFE Plate Product No.	t	Shipping Unit	MSRP per PCS
A11124-0100	M16 (W5/8)	100A	114.3	134	197	30	17×23	20	6.5	1.5	300		A11132-0100	1.5	20	
A11124-0125	↑	125A	139.8	160	223	↑	↑	↑	↑	↑	300		A11132-0125	↑	20	
A11124-0150		150A	165.2	186	249	↑	↑	↑	↑	↑	200		A11132-0150	↑	20	
A11124-0200		200A	216.3	236	299	35	↑	↑	9	2	100		A11132-0200	↑	10	
A11124-0250		250A	267.4	286	349	↑	↑	↑	↑	↑	100		A11132-0250	↑	10	
A11124-0300		300A	318.5	341	404	↑	↑	↑	↑	↑	100		A11132-0300	↑	10	
A11124-0350		350A	355.6	376	439	40	↑	↑	11.5	3	100		A11132-0350	↑	10	
A11124-0400		400A	406.4	426	489	↑	↑	↑	↑	↑	100		A11132-0400	↑	10	
A11124-0450		450A	457.2	478	541	↑	↑	↑	↑	↑	100		A11132-0450	↑	10	
A11124-0500		500A	508.0	529	592	↑	↑	↑	↑	↑	100		A11132-0500	↑	10	

M20

PP Insulating plate for U-Bolt

ETFE Insulating plate for U-Bolt

PP Plate Product No.	Size	Type	Diameter	P	L	W	A	a	b	t	Shipping Unit	MSRP per PCS	ETFE Plate Product No.	t	Shipping Unit	MSRP per PCS
A11125-0200	M20	200A	216.3	239	304	40	21×25	20	9.5	2	100		A11133-0200	1.5	10	
A11125-0250	↑	250A	267.4	289	354	↑	↑	↑	↑	↑	100		A11133-0250	↑	10	
A11125-0300		300A	318.5	344	409	↑	↑	↑	↑	↑	100		A11133-0300	↑	10	
A11125-0350		350A	355.6	377	452	↑	↑	25	↑	3	50		A11133-0350	↑	10	
A11125-0400		400A	406.4	429	504	↑	↑	↑	↑	↑	50		A11133-0400	↑	10	
A11125-0450		450A	457.2	481	556	↑	↑	↑	↑	↑	50		A11133-0450	↑	10	
A11125-0500		500A	508.0	532	607	↑	↑	↑	↑	↑	50		A11133-0500	↑	10	

INSULATING PLATE PP Plate, ETFE Plate

9039 9040

M10 [W3/8] PP Insulating plate for U-Bolt

ETFE Insulating plate for U-Bolt

PP Plate Product No.	Size	Type	Diameter	P	L	W	A	a	b	t	Shipping Unit	MSRP per PCS	ETFE Plate Product No.	t	Shipping Unit	MSRP per PCS
A11126-0300	M24	300A	318.5	346	425	50	25 × 29	25	12.5	3	50		A11134-0300	1.5	10	
A11126-0350	↑	350A	355.6	383	462	↑	↑	↑	↑	↑	50		A11134-0350	↑	10	
A11126-0400	↑	400A	406.4	434	513	↑	↑	↑	↑	↑	50		A11134-0400	↑	10	
A11126-0450	↑	450A	457.2	484	563	↑	↑	↑	↑	↑	50		A11134-0450	↑	10	
A11126-0500	↑	500A	508.0	539	618	↑	↑	↑	↑	↑	50		A11134-0500	↑	10	
A11126-0550	↑	550A	558.8	591	670	↑	↑	↑	↑	↑	50		A11134-0550	↑	10	
A11126-0600	↑	600A	609.6	642	721	↑	↑	↑	↑	↑	50		A11134-0600	↑	10	

M10 [W3/8] PP Insulating plate for U-Bolt

ETFE Insulating plate for U-Bolt

PP Plate Product No.	Size	Type	Diameter	P	L	W	A	a	b	t	Shipping Unit	MSRP per PCS	ETFE Plate Product No.	t	Shipping Unit	MSRP per PCS
A11127-0450	M30	450A	457.2	496	591	50	31 × 35	30	9.5	3	30		A11135-0450	1.5	10	
A11127-0500	↑	500A	508.0	548	643	↑	↑	↑	↑	↑	30		A11135-0500	↑	10	
A11127-0550	↑	550A	558.8	598	693	↑	↑	↑	↑	↑	30		A11135-0550	↑	10	
A11127-0600	↑	600A	609.6	650	745	↑	↑	↑	↑	↑	30		A11135-0600	↑	10	
A11127-0650	↑	650A	660.4	700	795	↑	↑	↑	↑	↑	30		A11135-0650	↑	10	

KITZ

株式会社キッツ

Valve Handle Cover

2D CAD 3D CAD

0°C +60°C

- ✓ Valve type: Gate valve
- ✓ Insulating resin: Flexible vinyl chloride (PVC)
- ✓ Resin color: Nine colors available
- ✓ Valve tag: Aluminum
(Not included in the price)

PAT. 2011-140150
D. 1432601
D. 1439808

Valve handle cover [For KITZ gate valve]

Pale blue [01]

Yellow green [02]

Orange [03]

Blue [04]

Green [05]



Pink [06]

Light blue [07]

Red [08]

Purple [09]



Parts numbering **VK3050-5*****
KITZ SIZE Color No. Tag No.

Enter the color number and tag number in the "*" of the part number list.

Product No.	Color No.									Tag No.		Handle diameter (mm)	Size, Model compatibility list			Weight	Shipping Unit	Tag N/A MSRP per PCS	Tag Att. MSRP per PCS
	Pale blue	Yellow green	Orange	Blue	Green	Pink	Light blue	Red	Purple	N/A	Attached		JIS 10K Model	JIS 5K Model	125 Model				
													L	M					
													LN	MN					
											LNW	MNW							
VK3050-5** *	01	02	03	04	05	06	07	08	09	0	9	50			10A : 15A	g	100		
VK3055-5** *	01	02	03	04	05	06	07	08	09	0	9	55			20A	g	100		
VK3060-5** *	01	02	03	04	05	06	07	08	09	0	9	60	15A	15A : 20A	25A	g	100		
VK3070-5** *	01	02	03	04	05	06	07	08	09	0	9	70	20A	25A	32A	g	100		
VK3080-5** *	01	02	03	04	05	06	07	08	09	0	9	80	25A		40A	g	100		
VK3090-5** *	01	02	03	04	05	06	07	08	09	0	9	90	32A	32A	50A	g	100		
VK3100-5** *	01	02	03	04	05	06	07	08	09	0	9	100	40A	40A		g	50		
VK3115-5** *	01	02	03	04	05	06	07	08	09	0	9	115	50A	50A		g	50		

MARKER Series Valve Handle Cover

9204

PAT. 2011-140150
D. 1432601
D. 1439808



東洋バルブ株式会社

Valve Handle Cover



2D
CAD

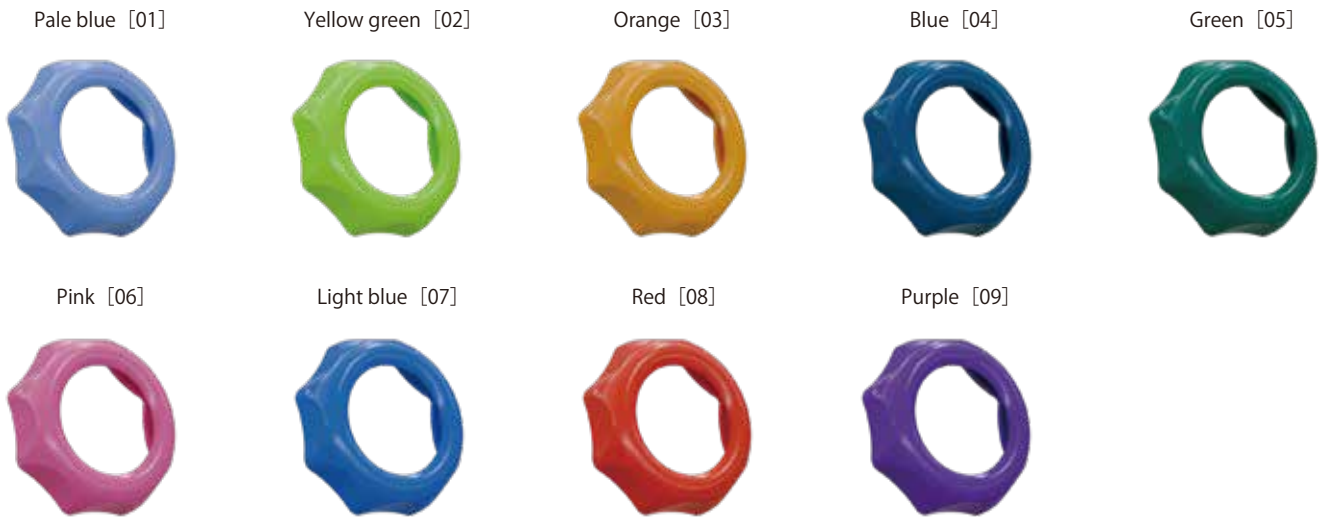


3D
CAD

0°C ● ● ● ● ● ● ● ● ● +60°C

- ✓ Valve type: Gate valve
- ✓ Insulating resin: Flexible vinyl chloride (PVC)
- ✓ Resin color: Nine colors available
- ✓ Valve tag: Aluminum
(Not included in the price)

Valve handle cover [For TOYO gate valve]



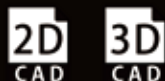
Parts numbering **VT 3050-5 * * *** Enter the color number and tag number in the "*" of the part number list.
 TOYO SIZE Color No. Tag No.

Product No.	Color No.									Tag No.		Handle diameter (mm)	Size, Model compatibility list			Weight	Shipping Unit	Tag N/A MSRP per PCS	Tag Att. MSRP per PCS
	Pale blue	Yellow green	Orange	Blue	Green	Pink	Light blue	Red	Purple	N/A	Attached		JIS 10K Model	JIS 5K Model	125 Model				
													LJ10-BSR	LJ5-BSR	RH-7				
													LJ10-BSR-SK-N	LJ5-BSR-SK-N					
VT3048-5** *	01	02	03	04	05	06	07	08	09	0	9	48			10A : 15A	g	100		
VT3055-5** *	01	02	03	04	05	06	07	08	09	0	9	55	15A	15A	20A	g	100		
VT3063-5** *	01	02	03	04	05	06	07	08	09	0	9	60		20A	25A	g	100		
VT3070-5** *	01	02	03	04	05	06	07	08	09	0	9	70	20A	25A	32A	g	100		
VT3080-5** *	01	02	03	04	05	06	07	08	09	0	9	80	25A		40A	g	100		
VT3090-5** *	01	02	03	04	05	06	07	08	09	0	9	90	32A	32A	50A	g	100		
VT3100-5** *	01	02	03	04	05	06	07	08	09	0	9	100	40A	40A		g	50		
VT3110-5** *	01	02	03	04	05	06	07	08	09	0	9	110	50A	50A		g	50		



PAT. 2011-140150
D. 1432601
D. 1439808

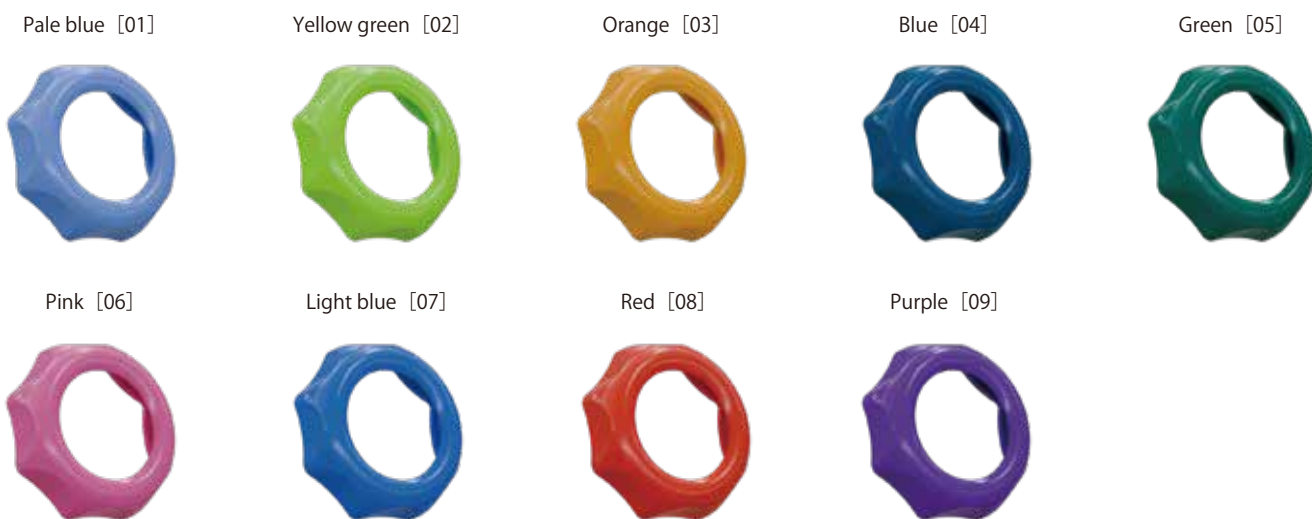
Valve Handle Cover



0°C +60°C

- ✓ Valve type: Gate valve
- ✓ Insulating resin: Flexible vinyl chloride (PVC)
- ✓ Resin color: Nine colors available
- ✓ Valve tag: Aluminum
(Not included in the price)

Valve handle cover [For YAMATO gate valve]



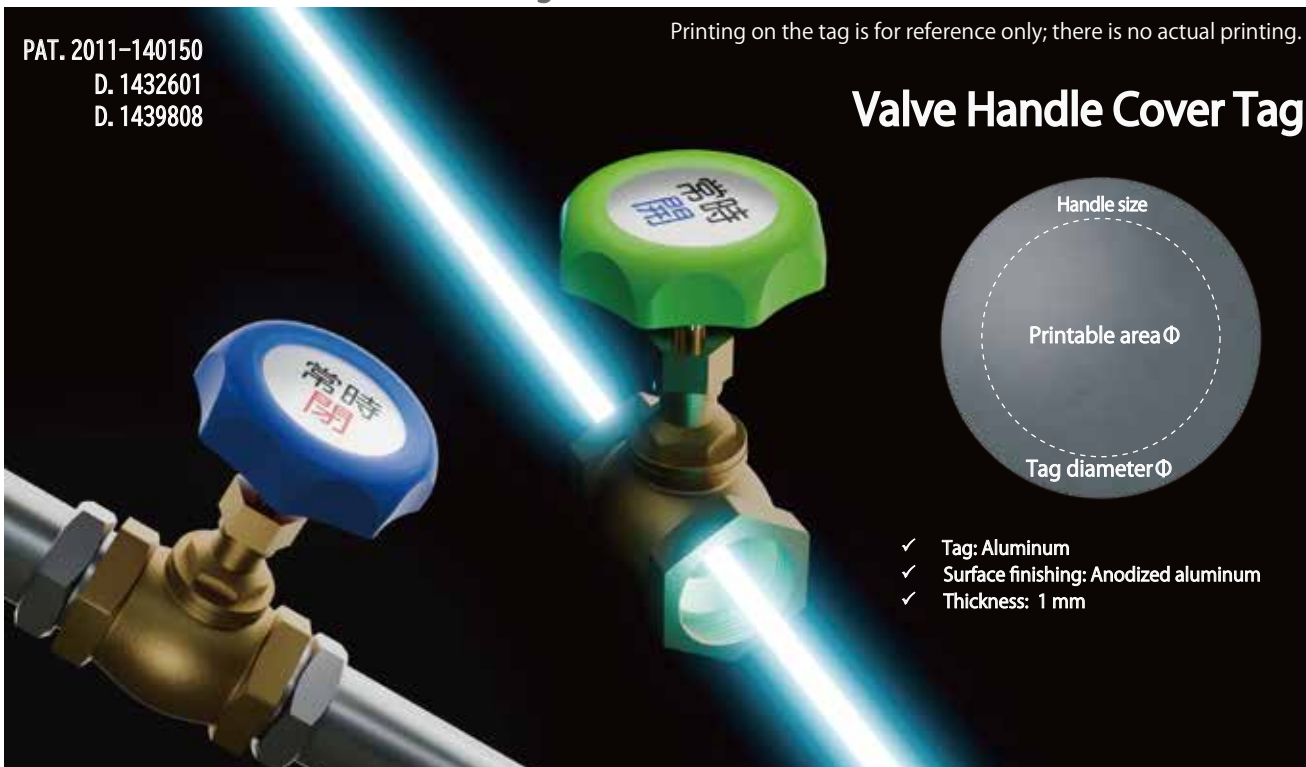
Parts numbering **VY3050-5***** Enter the color number and tag number in the "*" of the part number list.
YAMATO SIZE Color No. Tag No.

Product No.	Color No.									Tag No.		Handle diameter (mm)	Size, Model compatibility list			Weight	Shipping Unit	Tag N/A MSRP per PCS	Tag Att. MSRP per PCS
	Pale blue	Yellow green	Orange	Blue	Green	Pink	Light blue	Red	Purple	N/A	Attached		JIS 10K Model	JIS 5K Model	125 Model				
													B10G	B5G	RIG				
													B10GN	B5GN					
VY3050-5** *	01	02	03	04	05	06	07	08	09	0	9	50			15A	g	100		
VY3055-5** *	01	02	03	04	05	06	07	08	09	0	9	55	10A : 15A	15A	20A	g	100		
VY3060-5** *	01	02	03	04	05	06	07	08	09	0	9	60			25A	g	100		
VY3063-5** *	01	02	03	04	05	06	07	08	09	0	9	63		20A		g	100		
VY3070-5** *	01	02	03	04	05	06	07	08	09	0	9	70	20A	25A	32A	g	100		
VY3080-5** *	01	02	03	04	05	06	07	08	09	0	9	80	25A	32A	40A	g	100		
VY3090-5** *	01	02	03	04	05	06	07	08	09	0	9	90	32A	40A	50A	g	100		
VY3100-5** *	01	02	03	04	05	06	07	08	09	0	9	100	40A			g	50		
VY3110-5** *	01	02	03	04	05	06	07	08	09	0	9	110	50A	50A		g	50		

MARKER Series

Tag For Valve Handle Cover

9204



Images of Tag attachment



Handle size	Tag diameter Φ	Printable area Φ	Product No. 	Handle diameter	Weight	Shipping Unit	MSRP per PCS	Product No. 	Handle diameter	Weight	Shipping Unit	MSRP per PCS	Product No. 	Handle diameter	Weight	Shipping Unit	MSRP per PCS
48	41	29						VCPT3048-09	48	g	100		VCPY3050-09	50	g	100	
50	41	29	VCPK3050-09	50	g	100		VCPT3055-09	55	g	100		VCPY3055-09	55	g	100	
55	47	31	VCPK3055-09	55	g	100		VCPT3060-09	60	g	100		VCPY3060-09	60	g	100	
60	49	35	VCPK3060-09	60	g	100		VCPT3063-09	63	g	100		VCPY3063-09	63	g	100	
63	54	40						VCPT3070-09	70	g	100		VCPY3070-09	70	g	100	
70	61	45	VCPK3070-09	70	g	100		VCPT3080-09	80	g	100		VCPY3080-09	80	g	100	
80	69	50	VCPK3080-09	80	g	100		VCPT3090-09	90	g	100		VCPY3090-09	90	g	50	
90	79	60	VCPK3090-09	90	g	100		VCPT3100-09	100	g	50		VCPY3100-09	100	g	50	
100	88	66	VCPK3100-09	100	g	50		VCPT3115-09	110	g	50		VCPY3110-09	110	g	50	
110	96	75															
115	101	80	VCPK3115-09	115	g	50											

Studs Bolt Marker

The marker trademarked by AWJ co., Ltd.

PAT. 2018-92123A

D. 1591566

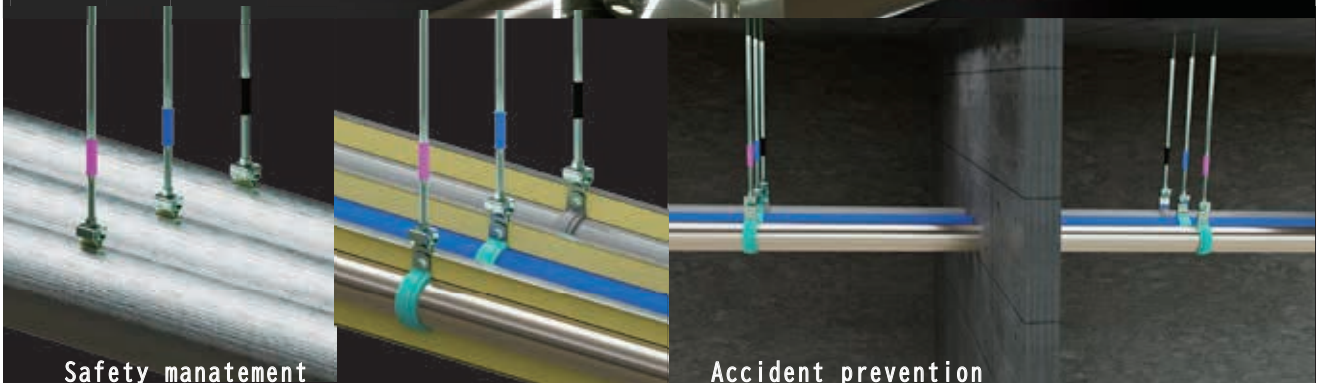
D. 1591211

The marker is to identify fluid in piping at a glance even when installation. Since the markers attached to fully threaded screws, no need to re-identify when installing heat insulators. Eleven colors are available for your purpose.

Pipe identification marker

Elastomer: Polyethylene (PE)

Elastomer color: Eleven colors available

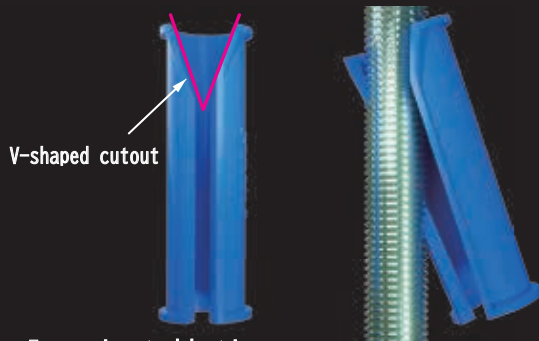


Safety manament

the markers attached to fully threaded screws, no need to re-identify when installing heat insulators, which leads to safety management.

Accident prevention

It helps prevent accidents by preventing misconnections of piping when installation.



V-shaped cutout

Easy installation

The markers have V-shaped cutout for smooth and one-touch installation to fully threads screws.



Endless ways to use

By combining two or more colors, it can identify other systems. In addition to pipe identification, the markers can also be identify applications such as contractor and construction type.

MARKER Series

Studs Bolt Marker

9200

The marker trademarked by AWJ co., Ltd.

PAT. 2018-92123A
D. 1591566
D. 1591211

W3/8

Product No.	Size	Color No.	Color	Munsell HVC	Ref. utilization	D	A	H 1	H 2	t	Weight	Box	MSRP per PCS
AKS-0301	W3/8	01	Blue	5PB5/9	Cold water	8.8	25	38	40	1	1.2 g	2400	
AKS-0302	↑	02	Yellow green	10GY6.5/11	Cold/Hot water	↑	↑	↑	↑	↑	↑	2400	
AKS-0303	↑	03	Orange	3.75YR6.5/14	Hot water	↑	↑	↑	↑	↑	↑	2400	
AKS-0306	↑	06	Green	2.5BG4/10	Hydration	↑	↑	↑	↑	↑	↑	2400	
AKS-0307	↑	07	Pink	10RP5/14	Hot water	↑	↑	↑	↑	↑	↑	2400	
AKS-0308	↑	08	Light blue	10B5/11	Water supply	↑	↑	↑	↑	↑	↑	2400	
AKS-0309	↑	09	Purple	5P5/10	Grey water	↑	↑	↑	↑	↑	↑	2400	
AKS-0312	↑	12	Black	N1	Thermal discharge	↑	↑	↑	↑	↑	↑	2400	
AKS-0314	↑	14	Red	5R4.5/14	Fire hydrant	↑	↑	↑	↑	↑	↑	2400	
AKS-0316	↑	16	Yellow	2.5Y8/14	Gas	↑	↑	↑	↑	↑	↑	2400	
AKS-0326	↑	26	White	N9.5	Compressed air	↑	↑	↑	↑	↑	↑	2400	

W1/2

Product No.	Size	Color No.	Color	Munsell HVC	Ref. utilization	D	A	H 1	H 2	t	Weight	Box	MSRP per PCS
AKS-0401	W1/2	01	Blue	5PB5/9	Cold water	12	25	38	40	1	1.9 g	1200	
AKS-0402	↑	02	Yellow green	10GY6.5/11	Cold/Hot water	↑	↑	↑	↑	↑	↑	1200	
AKS-0403	↑	03	Orange	3.75YR6.5/14	Hot water	↑	↑	↑	↑	↑	↑	1200	
AKS-0406	↑	06	Green	2.5BG4/10	Hydration	↑	↑	↑	↑	↑	↑	1200	
AKS-0407	↑	07	Pink	10RP5/14	Hot water	↑	↑	↑	↑	↑	↑	1200	
AKS-0408	↑	08	Light blue	10B5/11	Water supply	↑	↑	↑	↑	↑	↑	1200	
AKS-0409	↑	09	Purple	5P5/10	Grey water	↑	↑	↑	↑	↑	↑	1200	
AKS-0412	↑	12	Black	N1	Thermal discharge	↑	↑	↑	↑	↑	↑	1200	
AKS-0414	↑	14	Red	5R4.5/14	Fire hydrant	↑	↑	↑	↑	↑	↑	1200	
AKS-0416	↑	16	Yellow	2.5Y8/14	Gas	↑	↑	↑	↑	↑	↑	1200	
AKS-0426	↑	26	White	N9.5	Compressed air	↑	↑	↑	↑	↑	↑	1200	

Structural Steel Marker

The marker is to identify fluid in piping at a glance.
Attached to the steel which supports piping.

Pipe identification marker

Elastomer: Polyethylene (PE)
Elastomer color: Nine colors available



Reasons for flexibility
and easy installation

Excellent impact and heat resistance by
Flexible polyethylene



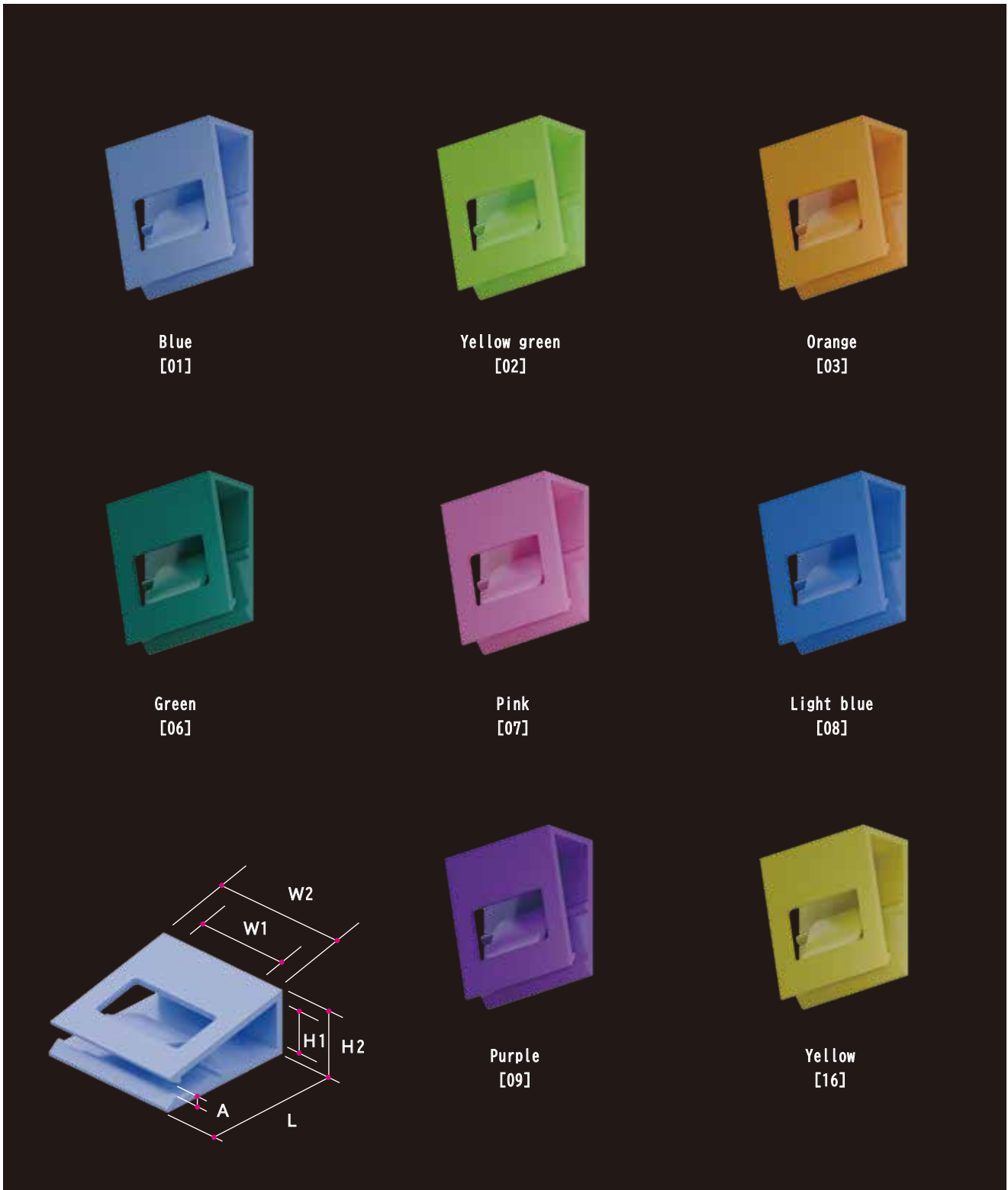
Shedding prevention

It prevents from falling off by clipping at four points.

MARKER Series

Structural Steel Marker

9201



Structural Steel Marker

Product No.	Color No.	Color	Munsell HVC	Ref.utilization	W1	W2	L	H1	H2	A	Weight	Box	MSRP per PCS
AKT-0101	01	Blue	5PB5/9	Cold water	21	30	30	10	13,35	2,55	3,0g	1200	
AKT-0102	02	Yellow green	10GY6,5/11	Cold/Hot water	↑	↑	↑	↑	↑	↑	↑	1200	
AKT-0103	03	Orange	3.75YR6,5/14	Hot water	↑	↑	↑	↑	↑	↑	↑	1200	
AKT-0106	06	Green	2.5BG4/10	Hydration	↑	↑	↑	↑	↑	↑	↑	1200	
AKT-0107	07	Pink	10RP5/14	Hot water	↑	↑	↑	↑	↑	↑	↑	1200	
AKT-0108	08	Light blue	10B5/11	Water supply	↑	↑	↑	↑	↑	↑	↑	1200	
AKT-0109	09	Purple	5P5/10	Grey water	↑	↑	↑	↑	↑	↑	↑	1200	
AKT-0116	16	Yellow	2.5Y8/14	Gas	↑	↑	↑	↑	↑	↑	↑	1200	

Pipe Marker

Pipe identification marker

The marker is to identify fluid in piping at a glance even when installation. Simply identification to be possible from below the piping.

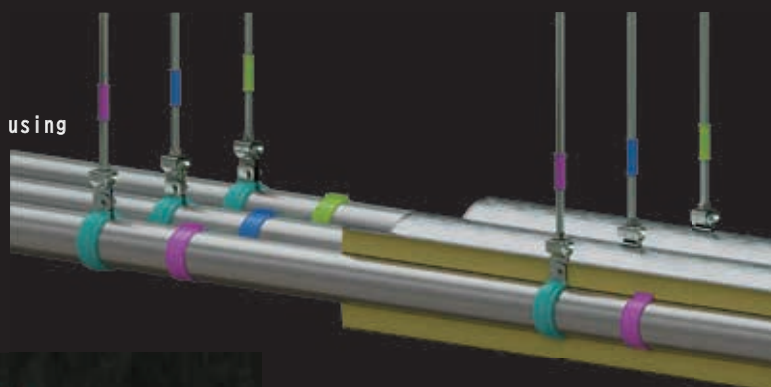
Polyethylene (PE)  0°C +90°C

Elastomer: Polyethylene (PE)
Elastomer color: Eleven colors available



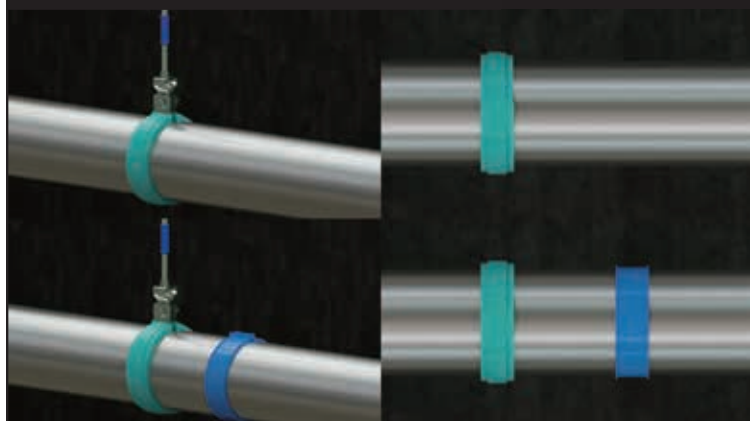
Prevent from accidents

It helps to identify fluid in piping by using same color of the Pipe Marker and Studs Bolt Marker. It also helps misconnections.



Prevent from cross piping

It was sometimes difficult to identify the Studs Bolt Marker under a dark place or placed above. It helps to prevent misconnection by attaching the marker to identify from below.



Size stamping variety of sizes

Pipe size is stamped to identify at a glance.

Size variation: 13SU~150SU SG15A~SG150A

*Stamped by SU notation



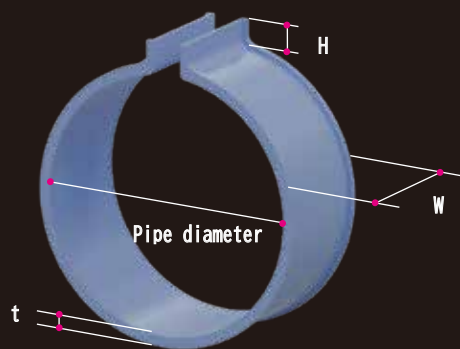
D. 1722289

MARKER Series

Pipe Marker

9203

D. 1722289



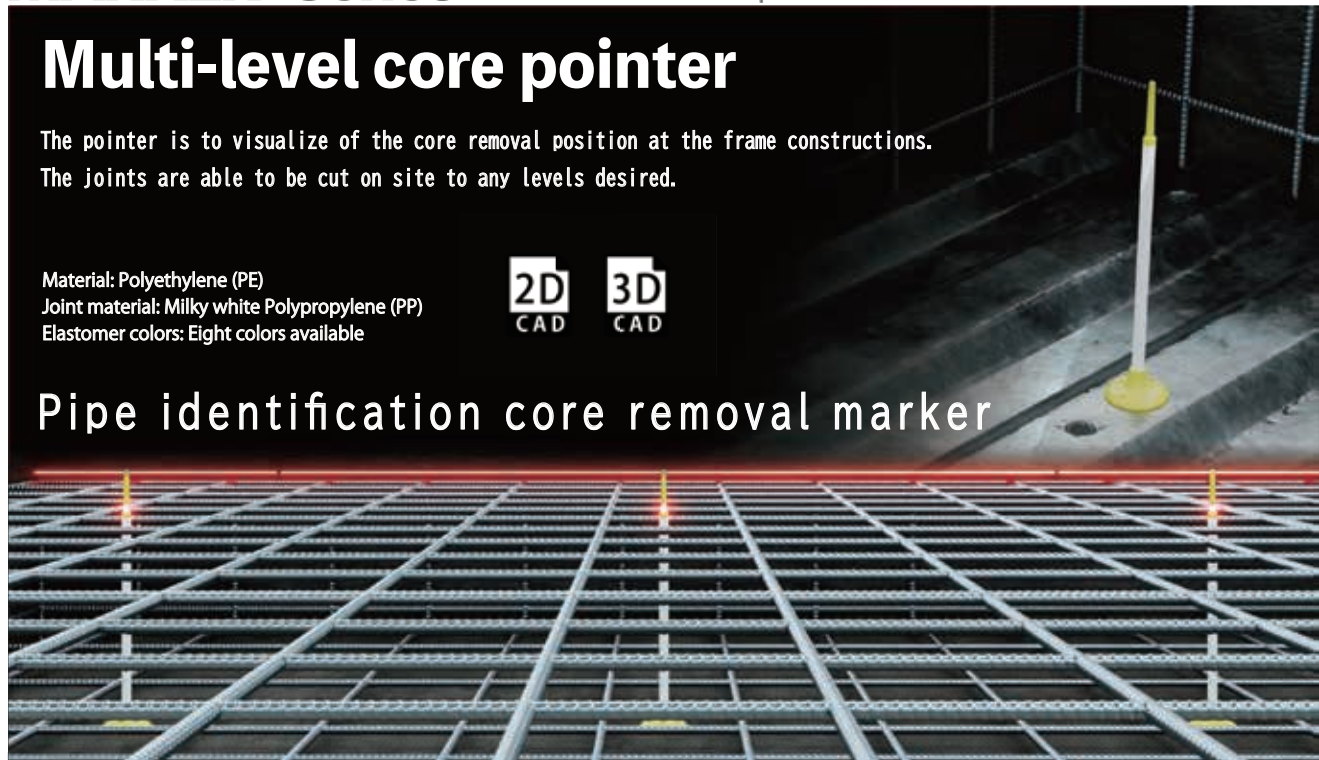
SG SU

Size	Dia.	W	H	t	Blue [01] 5PB5/9	Yellow green [02] 10GY6.5/11	Orange [03] 3.75YR6.5/14	Green [06] 2.5BG4/10	Pink [07] 10RP5/14	Light blue [08] 10B5/11	Purple [09] 5P5/10	Black [12] N1	Red [14] 5R4.5/14	Yellow [16] 2.5Y8/14	White [26] N39	Shipping Unit	MSRP Per PCS
SG15	21.7	28	6.8	1.2	PMSG-01501	PMSG-01502	PMSG-01503	PMSG-01506	PMSG-01507	PMSG-01508	PMSG-01510	PMSG-01512	PMSG-01514	PMSG-01516	PMSG-01526	500	
SG20	27.2	↑	↑	↑	PMSG-02001	PMSG-02002	PMSG-02003	PMSG-02006	PMSG-02007	PMSG-02008	PMSG-02010	PMSG-02012	PMSG-02014	PMSG-02016	PMSG-02026	500	
13SU	15.88		7.1		PMSU-01301	PMSU-01302	PMSU-01303	PMSU-01306	PMSU-01307	PMSU-01308	PMSU-01310	PMSU-01312	PMSU-01314	PMSU-01316	PMSU-01326	500	
20SU	22.22		6.8		PMSU-02001	PMSU-02002	PMSU-02003	PMSU-02006	PMSU-02007	PMSU-02008	PMSU-02010	PMSU-02012	PMSU-02014	PMSU-02016	PMSU-02026	500	
25SU	28.58		6.6		PMSU-02501	PMSU-02502	PMSU-02503	PMSU-02506	PMSU-02507	PMSU-02508	PMSU-02510	PMSU-02512	PMSU-02514	PMSU-02516	PMSU-02526	500	
30SU	34.0		6.5	1.5	PMSU-03001	PMSU-03002	PMSU-03003	PMSU-03006	PMSU-03007	PMSU-03008	PMSU-03010	PMSU-03012	PMSU-03014	PMSU-03016	PMSU-03026	500	
40SU	42.7		6.4	↑	PMSU-04001	PMSU-04002	PMSU-04003	PMSU-04006	PMSU-04007	PMSU-04008	PMSU-04010	PMSU-04012	PMSU-04014	PMSU-04016	PMSU-04026	500	
50SU	48.6		6.3	↑	PMSU-05001	PMSU-05002	PMSU-05003	PMSU-05006	PMSU-05007	PMSU-05008	PMSU-05010	PMSU-05012	PMSU-05014	PMSU-05016	PMSU-05026	500	
60SU	60.5		↑	1.7	PMSU-06001	PMSU-06002	PMSU-06003	PMSU-06006	PMSU-06007	PMSU-06008	PMSU-06010	PMSU-06012	PMSU-06014	PMSU-06016	PMSU-06026	300	
75SU	76.3		6.2	2.0	PMSU-07501	PMSU-07502	PMSU-07503	PMSU-07506	PMSU-07507	PMSU-07508	PMSU-07510	PMSU-07512	PMSU-07514	PMSU-07516	PMSU-07526	300	
80SU	89.1		6.1	↑	PMSU-08001	PMSU-08002	PMSU-08003	PMSU-08006	PMSU-08007	PMSU-08008	PMSU-08010	PMSU-08012	PMSU-08014	PMSU-08016	PMSU-08026	300	
100SU	114.3		↑	↑	PMSU-10001	PMSU-10002	PMSU-10003	PMSU-10006	PMSU-10007	PMSU-10008	PMSU-10010	PMSU-10012	PMSU-10014	PMSU-10016	PMSU-10026	200	
125SU	139.8	35	10.1	2.5	PMSU-12501	PMSU-12502	PMSU-12503	PMSU-12506	PMSU-12507	PMSU-12508	PMSU-12510	PMSU-12512	PMSU-12514	PMSU-12516	PMSU-12526	200	
150SU	165.2	↑	↑	↑	PMSU-15001	PMSU-15002	PMSU-15003	PMSU-15006	PMSU-15007	PMSU-15008	PMSU-15010	PMSU-15012	PMSU-15014	PMSU-15016	PMSU-15026	100	

Multi-level core pointer

The pointer is to visualize of the core removal position at the frame constructions. The joints are able to be cut on site to any levels desired.

Material: Polyethylene (PE)
 Joint material: Milky white Polypropylene (PP)
 Elastomer colors: Eight colors available



Pipe identification core removal marker



Light weight

Since many multi-level core pointers required in the leveling field, it makes easily to carry to the site and increases work efficiency.



It is recommended to cut the base side, it makes difficult to install the antennae with cutting surface.



Any level can be adjustable

By cutting the joints, it can adjust the length to level to any slab thickness. The joints can be easily cut with a cutter or scissors.



Safety measure

The flexible material prevent injury compared with the conventional metal method when positioning for core removal.



Structure for stability

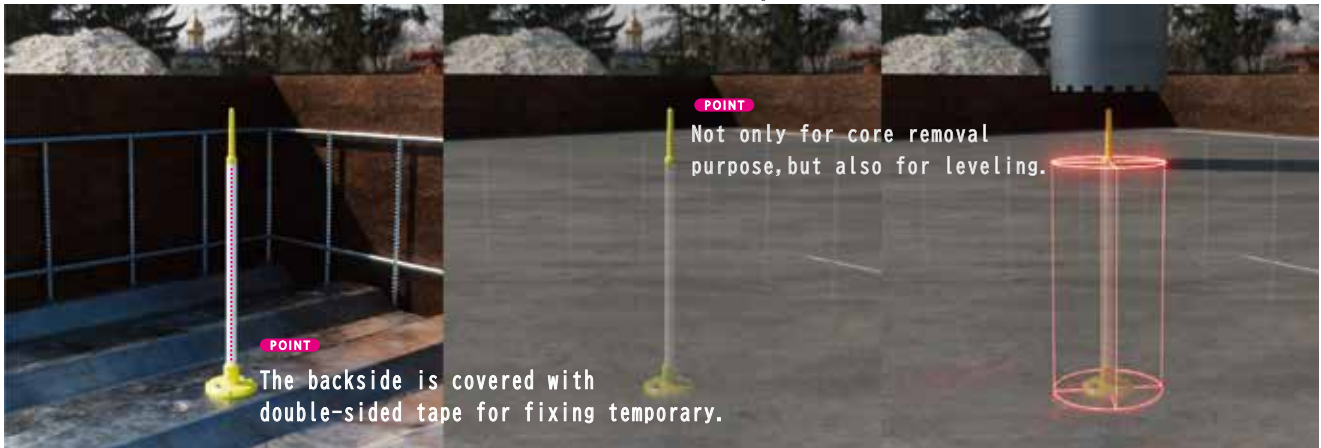
It has the screw hole for fixing the base to the core removal position. In addition, double-sided tape is attached to the backside to prevent peeling of even under the pressure of pouring concrete.

MARKER Series

Multi-level core pointer

9203

Multi-level core pointer



STEP-1

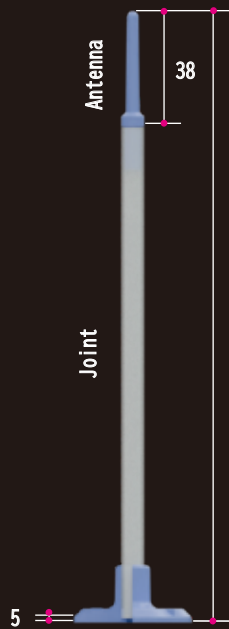
Set in the center of the area to be core removal.

STEP-2

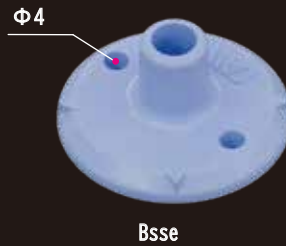
Pour concrete up to the slab thickness.

STEP-3

The core can be extracted easily based on the center of the antenna.



- H150 173mm
- H200 213mm
- H300 323mm
- H400 423mm



Multi-level core pointer II is recommended for H300/H400 to prevent from fall down.



The size are based on slab thickness. Please cut the joints as needed.

Blue [01]			Yellow green [02]		Orange [03]		Green [06]		Pink [07]		Light blue [08]		Purple [09]		Yellow [16]		Weight	Shipping Unit	MSRP perPCS
Product No.	Size	Length	Product No.	Product No.	Product No.	Product No.	Product No.	Product No.	Product No.	Product No.	Product No.	Product No.	Product No.	Product No.					
MCP001-0150	H150	173mm	MCP002-0150	MCP003-0150	MCP006-0150	MCP007-0150	MCP008-0150	MCP009-0150	MCP016-0150	g	1000								
MCP001-0200	H200	213mm	MCP002-0200	MCP003-0200	MCP006-0200	MCP007-0200	MCP008-0200	MCP009-0200	MCP016-0200	g	1000								
MCP001-0300	H300	323mm	MCP002-0300	MCP003-0300	MCP006-0300	MCP007-0300	MCP008-0300	MCP009-0300	MCP016-0300	g	500								
MCP001-0400	H400	423mm	MCP002-0400	MCP003-0400	MCP006-0400	MCP007-0400	MCP008-0400	MCP009-0400	MCP016-0400	g	500								

Multi-level core pointer II

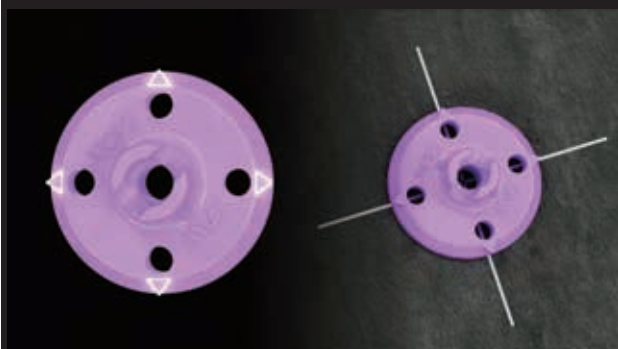
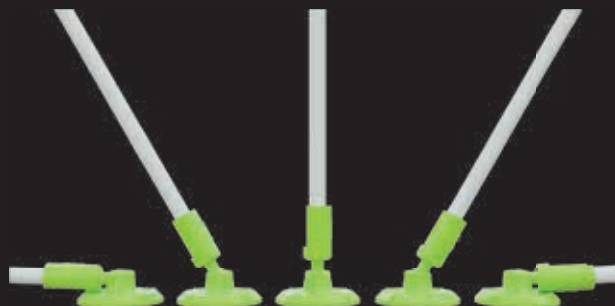
The pointer is to visualize of the core removal position at the frame constructions.
 The joints are able to be cut on site to any levels desired.
 Tripod system provided as a standard accessories.
 The joint size is the same length as antenna.

Material: Polyethylene (PE)
 Joint material: Milky white Polypropylene (PP)
 Elastomer colors: Eight colors available



Adjustable at any angle

It can be installed at any angle such as inclined surface of mountainous decks by ball joint.



Advantage of the features of tripod base

It makes easier inatallation by aligning the four triangles.

Structure for stability

It has the screw hole for fixing the base to the core removal position. In addition, double-sided tape is attached to the backside to prevent peeling of even under the pressure of pouring concrete.



D. 1654412

MARKER Series

Multi-level core pointer II

9206

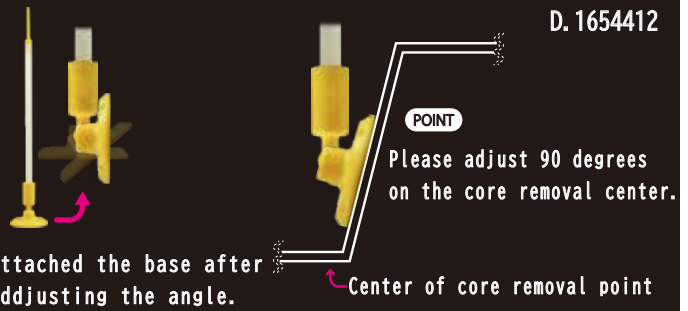
Multi-level core pointer II



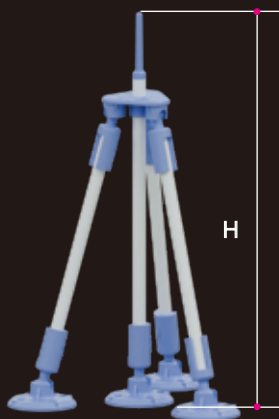
Determine the center of the core removal point.

Please use the "Multi-level core pointer II" for the surface with sloped and flat mixed as like the figure above.

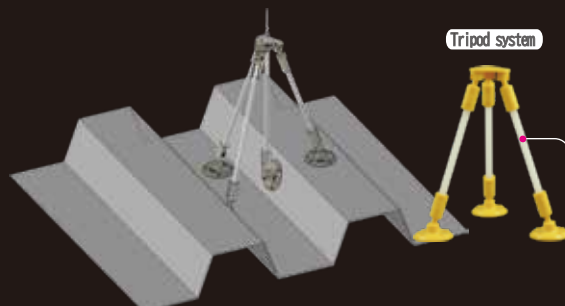
Please use the "Multi-level core pointer" for the flat surface.



D. 1654412



Use each flexible ball joints to various angles and heights, and keeping antenna vertical to the ground.



Blue [01] Yellow green [02] Orange [03] Green [06] Pink [07] Light blue [08] Purple [09] Yellow [16]

The size are based on slab thickness. Please cut the joints as needed.

Blue [01]			Yellow green [02]	Orange [03]	Green [06]	Pink [07]	Light blue [08]	Purple [09]	Yellow [16]	Weight	Shipping Unit	MSRP perPCS
Product No.	Size	Length	Product No.	Product No.	Product No.	Product No.	Product No.	Product No.				
MCP201-0150	H150	194mm	MCP202-0150	MCP203-0150	MCP206-0150	MCP207-0150	MCP208-0150	MCP209-0150	MCP216-0150	g	500	
MCP201-0200	H200	234mm	MCP202-0200	MCP203-0200	MCP206-0200	MCP207-0200	MCP208-0200	MCP209-0200	MCP216-0200	g	500	
MCP201-0300	H300	344mm	MCP202-0300	MCP203-0300	MCP206-0300	MCP207-0300	MCP208-0300	MCP209-0300	MCP216-0300	g	500	
MCP201-0400	H400	444mm	MCP202-0400	MCP203-0400	MCP206-0400	MCP207-0400	MCP208-0400	MCP209-0400	MCP216-0400	g	500	

Multi Sleeve Pointer

This is to visualize the position of the sleeve after concrete placement. Please be sure to wipe off any dirt or oil before attachment. If attached double-sided tape only, it may easily peel off if it is dirty. It is recommended to fix by screw to prevent position shift by the force of pouring concrete.

Elastomer: Polyethylene (PE)
Elastomer color: Eight colors available



Light weight

Since the Multi Sleeve pointer weight approx. 8g, it makes easily to carry to the site and increases work efficiency.



Safety measure

The flexible material prevent injury compared with the conventional metal method when positioning for core removal.



Structure for stability

It has the screw hole for fixing the base to the core removal position. In addition, double-sided tape is attached to the backside to prevent peeling of even under the pressure of pouring concrete.



Example

MARKER Series

Multi Sleeve Pointer

9207



STEP-1

Set in the center of the sleeve.
Be sure to wipe off any dirt or oil.

STEP-2

Pour slowly the ready-mixed concrete
to prevent the sleeve pointer from
peeling off.

STEP-3

The antenna indicate the
center of the sleeve.



Blue [01]



Yellow green [02]



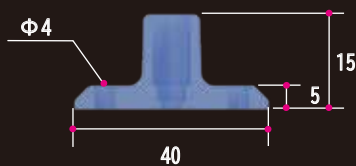
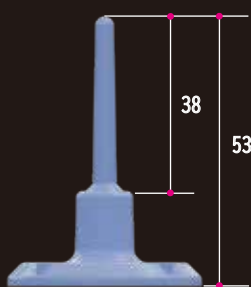
Orange [03]



Green [06]



Pink [07]



[Cross section]



Light blue [08]



Purple [09]

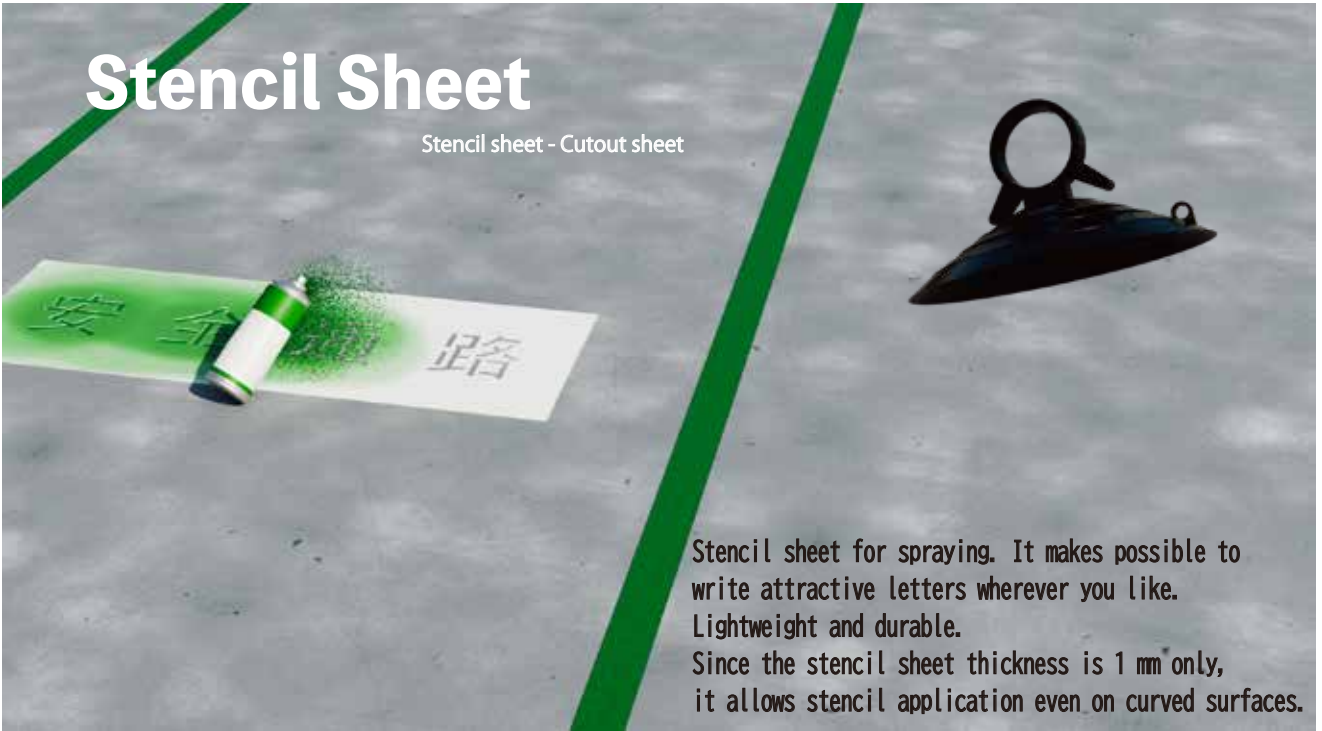


Yellow [16]

Blue [01]			Yellow green [02]	Orange [03]	Green [06]	Pink [07]	Light blue [08]	Purple [09]	Yellow [16]	Weight	Shipping Unit	MSRP perPCS
Product No.	Size	Length	Product No.	Product No.	Product No.	Product No.	Product No.	Product No.				
MSP001-0053	53	53mm	MSP002-0053	MSP003-0053	MSP006-0053	MSP007-0053	MSP008-0053	MSP009-0053	MSP016-0053	g	1000	

Stencil Sheet

Stencil sheet - Cutout sheet



Stencil sheet for spraying. It makes possible to write attractive letters wherever you like. Lightweight and durable. Since the stencil sheet thickness is 1 mm only, it allows stencil application even on curved surfaces.

✓ Resin: Polypropylene (PP)



[Variation example]



There are other variation other than shown in the image. Alphabets are also avairtable.

Product No.	Letter size (mm)	Letter No.	Letters	Accessory	Sheet size			Shipping Unit	MSRP per PCS
					W	D	t		
STS01-0100	100	01	頭上注意	Suction cup (1 pcs)	700	240	1	1set	
STS02-0100	↑	02	作業通路	↑	↑	↑	↑	1set	
STS03-0100	↑	03	安全通路	↑	↑	↑	↑	1set	
STS04-0100	↑	04	火気厳禁	↑	↑	↑	↑	1set	
STS05-0100	↑	05	開口部注意	↑	↑	↑	↑	1set	
STS06-0100	↑	06	足もと注意	↑	↑	↑	↑	1set	
STS07-0100	↑	07	立入禁止	↑	↑	↑	↑	1set	
STS08-0100	↑	08	通行注意	↑	↑	↑	↑	1set	
STS09-0100	↑	09	段差あり	↑	↑	↑	↑	1set	
STS10-0100	↑	10	進入禁止	↑	↑	↑	↑	1set	
STS11-0100	↑	11	車両出入り口	↑	830	↑	↑	1set	
STS12-0100	↑	12	駐車禁止	↑	700	↑	↑	1set	
STS13-0100	↑	13	資材置場	↑	↑	↑	↑	1set	

Stencil Series Joint Stencil

9209

Joint Stencil

立入禁止

立入禁止

Various letter size can combined as you like.
It makes possible to write attractive letters wherever you like.

立入禁止

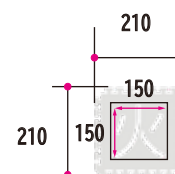
Carried compactly taking it to pieces.



It can be stacked for storage.
Best use for carry.

【Set type letter size 150mm】

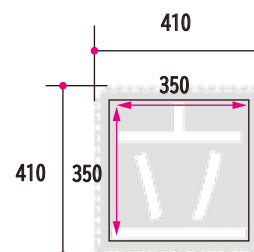
Product No.	Letter size (mm)	Letter No.	Letters	Shipping Unit	MSRP perPCS
JST01-0150	150X150	01	頭上注意	1set	
JST02-0150		02	作業通路	1set	
JST03-0150		03	安全通路	1set	
JST04-0150		04	火気厳禁	1set	
JST05-0150		05	開口部注意	1set	
JST06-0150		06	足もと注意	1set	
JST07-0150		07	立入禁止	1set	
JST08-0150		08	通行注意	1set	
JST09-0150		09	段差あり	1set	
JST10-0150		10	進入禁止	1set	
JST11-0150		11	車両出入り口	1set	
JST12-0150		12	駐車禁止	1set	
JST13-0150		13	資材置場	1set	



Thickness : 1mm

【Set type letter size 350mm】

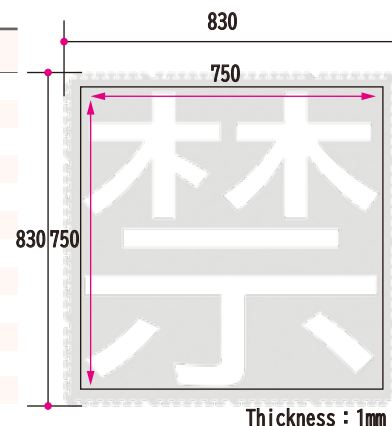
Product No.	Letter size (mm)	Letter No.	Letters	Shipping Unit	MSRP perPCS
JST01-0350	350X350	01	頭上注意	1set	
JST02-0350		02	作業通路	1set	
JST03-0350		03	安全通路	1set	
JST04-0350		04	火気厳禁	1set	
JST05-0350		05	開口部注意	1set	
JST06-0350		06	足もと注意	1set	
JST07-0350		07	立入禁止	1set	
JST08-0350		08	通行注意	1set	
JST09-0350		09	段差あり	1set	
JST10-0350		10	進入禁止	1set	
JST11-0350		11	車両出入り口	1set	
JST12-0350		12	駐車禁止	1set	
JST13-0350		13	資材置場	1set	



Thickness : 1mm

【Set type letter size 750mm】

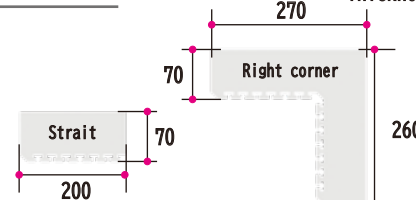
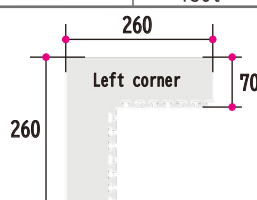
Product No.	Letter size (mm)	Letter No.	Letters	Shipping Unit	MSRP perPCS
JST01-0750	750X750	01	頭上注意	1set	
JST02-0750		02	作業通路	1set	
JST03-0750		03	安全通路	1set	
JST04-0750		04	火気厳禁	1set	
JST05-0750		05	開口部注意	1set	
JST06-0750		06	足もと注意	1set	
JST07-0750		07	立入禁止	1set	
JST08-0750		08	通行注意	1set	
JST09-0750		09	段差あり	1set	
JST10-0750		10	進入禁止	1set	
JST11-0750		11	車両出入り口	1set	
JST12-0750		12	駐車禁止	1set	
JST13-0750		13	資材置場	1set	



Thickness : 1mm

【Spacer plate】

Product No.	Shape	Shipping Unit	MSRP perPCS
JST-R01	Right corner	1	
JST-L01	Left corner	1	
JST-ST01	Strait	1	



Thickness: 1mm

EL CAP Series

EL Bolt Head Cap

9300

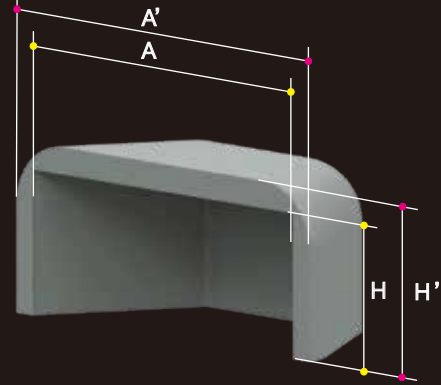
BOLT

Hexagon bolt cap



* The size stamped on the back of the product is the diameter of the hexagon bolt.

*A is the dimension of the diameter of the bolt



[Cross section view]

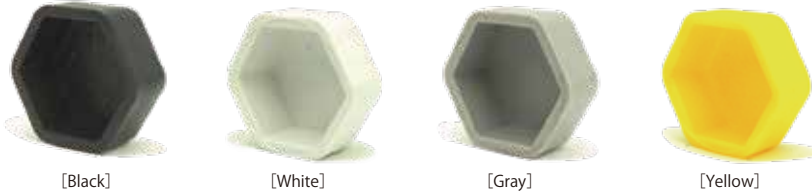
- — ● Internal dimension
- — ● External dimension

✓RoHS2 Elastomer



Color Lineup

Recommended for outdoor use



[Black]

[White]

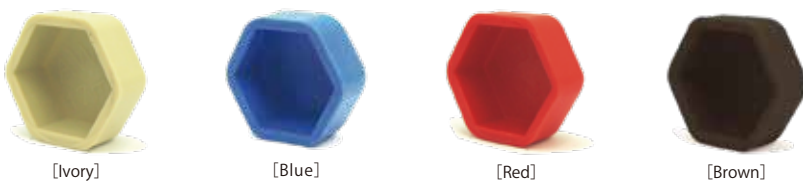
[Gray]

[Yellow]

M6 to M10 can be used as EL hex nut caps as well.

Size	[Black] Product No.	[White] Product No.	[Gray] Product No.	[Yellow] Product No.	Weight	Size A x H (A' x H')	Shipping Unit Box	MSRP perPCS
M 6	EA30212-0006	EB30212-0006	EC30212-0006	EE30212-0006	1g	10x5 (13x6.5)	3000	
M 8	EA30212-0008	EB30212-0008	EC30212-0008	EE30212-0008	1g	13x6.5 (16x8)	3000	
M 1 0	EA30212-0010	EB30212-0010	EC30212-0010	EE30212-0010	2g	17x8 (20x9.5)	3000	
M 1 2	EA30212-0012	EB30212-0012	EC30212-0012	EE30212-0012	3g	19x8 (23x10)	3000	
M 1 6	EA30212-0016	EB30212-0016	EC30212-0016	EE30212-0016	4g	24x10 (28x12)	2000	
M 2 0	EA30212-0020	EB30212-0020	EC30212-0020	EE30212-0020	5g	30x13 (34x15)	2000	
M 2 2	EA30212-0022	EB30212-0022	EC30212-0022	EE30212-0022	7g	32x14 (37x16.5)	1200	
M 2 4	EA30212-0024	EB30212-0024	EC30212-0024	EE30212-0024	8g	36x15 (41x17.5)	1000	

Custom made color



[Ivory]

[Blue]

[Red]

[Brown]

Ivory/Blue/Red/Brown applies for custom made.

It takes 4 to 7 days for delivery.

Size	[Ivory] Product No.	[Blue] Product No.	[Red] Product No.	[Brown] Product No.	Weight	Size A x H (A' x H')	Shipping Unit Box	MSRP perPCS
M 6	ED30212-0006	EF30212-0006	EG30212-0006	EH30212-0006	1g	10x5 (13x6.5)	3000	
M 8	ED30212-0008	EF30212-0008	EG30212-0008	EH30212-0008	1g	13x6.5 (16x8)	3000	
M 1 0	ED30212-0010	EF30212-0010	EG30212-0010	EH30212-0010	2g	17x8 (20x9.5)	3000	
M 1 2	ED30212-0012	EF30212-0012	EG30212-0012	EH30212-0012	3g	19x8 (23x10)	3000	
M 1 6	ED30212-0016	EF30212-0016	EG30212-0016	EH30212-0016	4g	24x10 (28x12)	2000	
M 2 0	ED30212-0020	EF30212-0020	EG30212-0020	EH30212-0020	5g	30x13 (34x15)	2000	
M 2 2	ED30212-0022	EF30212-0022	EG30212-0022	EH30212-0022	7g	32x14 (37x16.5)	1200	
M 2 4	ED30212-0024	EF30212-0024	EG30212-0024	EH30212-0024	8g	36x15 (41x17.5)	1000	

EL CAP Series

EL Bolt Cosmetic Cap

9301

* The size stamped on the back of the product is the diameter of the hexagon bolt.

BOLT
Hexagon bolt cap

M6
M8
M12

A
A'
H
H'

[Cross section view]

- Internal dimension
- External dimension

2D CAD 3D CAD Elastomer ✓RoHS2

Color Lineup

Recommended for outdoor use



[Black]

[White]

[Gray]

[Yellow]

M6 to M10 can be used as EL cosmetic nut caps as well.

Size	[Black] Product No.	[White] Product No.	[Gray] Product No.	[Yellow] Product No.	Weight	Size A x H (A' x H')	Shipping Unit Box	MSRP per PCS
M6	FA30212-0006	FB30212-0006	FC30212-0006	FE30212-0006	1g	10.5x4.5 (15.5x6)	3000	
M8	FA30212-0008	FB30212-0008	FC30212-0008	FE30212-0008	1g	14x6 (20x8)	3000	
M10	FA30212-0010	FB30212-0010	FC30212-0010	FE30212-0010	2g	18x7.5 (26x9.5)	3000	
M12	FA30212-0012	FB30212-0012	FC30212-0012	FE30212-0012	3g	20x8.5 (29x11)	3000	

Custom made color



[Ivory]

[Blue]

[Red]

[Brown]

Ivory/Blue/Red/Brown applies for custom made.
It takes 4 to 7 days for delivery.

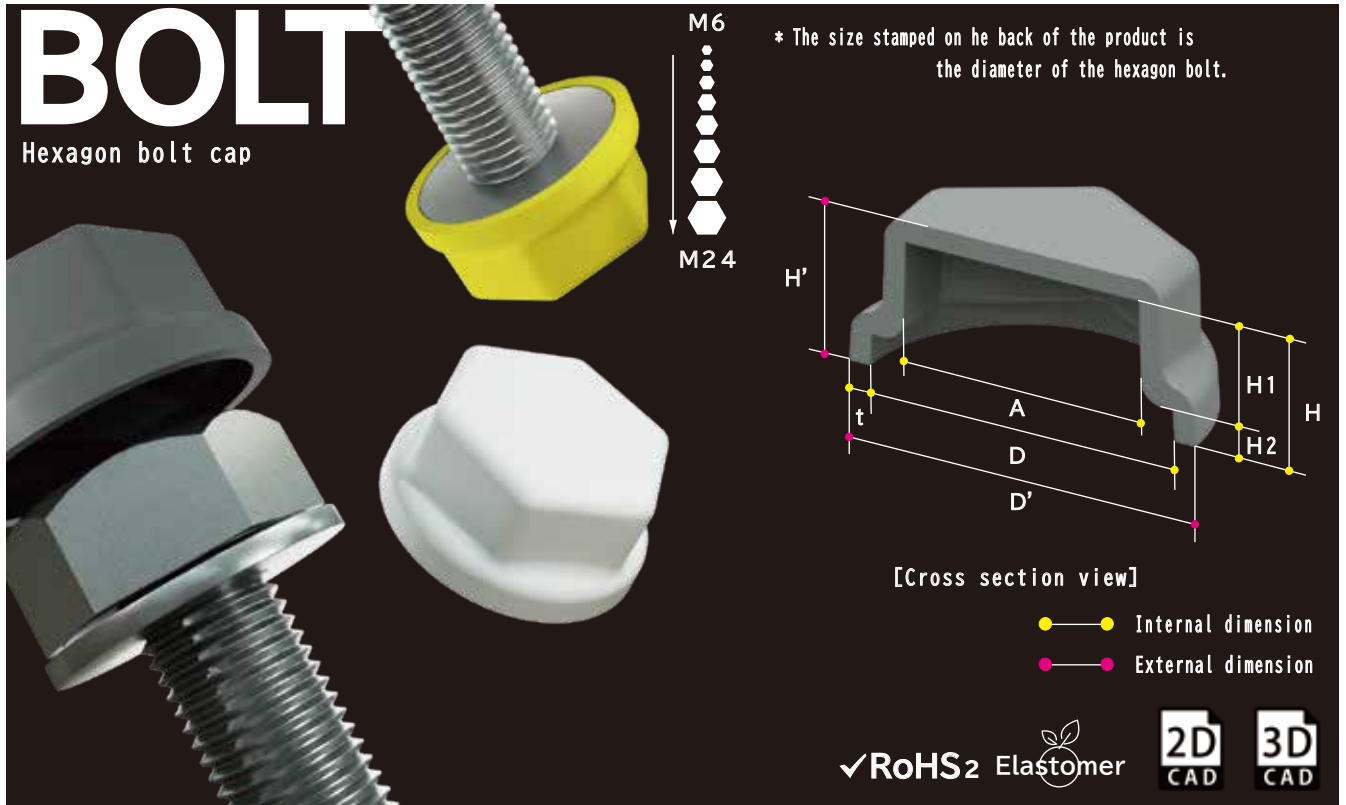
Size	[Ivory] Product No.	[Blue] Product No.	[Red] Product No.	[Brown] Product No.	Weight	Size A x H (A' x H')	Shipping Unit Box	MSRP per PCS
M6	FD30212-0006	FF30212-0006	FG30212-0006	FH30212-0006	1g	10.5x4.5 (15.5x6)	3000	
M8	FD30212-0008	FF30212-0008	FG30212-0008	FH30212-0008	1g	14x6 (20x8)	3000	
M10	FD30212-0010	FF30212-0010	FG30212-0010	FH30212-0010	2g	18x7.5 (26x9.5)	3000	
M12	FD30212-0012	FF30212-0012	FG30212-0012	FH30212-0012	3g	20x8.5 (29x11)	3000	

EL CAP Series

EL Hexagon Bolt Cap Washer Attached Cap

9305

EL Hexagon Bolt Cap Washer Attached



Color Lineup

Recommended for outdoor use



Size	[Black]	[White]	[Gray]	[Yellow]	Weight	Size								Shipping Unit	MSRP perPCS
	Product No.	Product No.	Product No.	Product No.		A	D	D'	H1	H2	H	H'	t		
M6	EA30212-W006	EB30212-W006	EC30212-W006	EE30212-W006	1g	10	13.2	16.2	5	1.8	6.8	8.3	1.5	3000	
M8	EA30212-W008	EB30212-W008	EC30212-W008	EE30212-W008	2g	13	17.7	20.7	6.5	1.8	8.3	9.8	1.5	3000	
M10	EA30212-W010	EB30212-W010	EC30212-W010	EE30212-W010	3g	17	21.7	24.7	8	2.2	10.2	11.7	1.5	3000	
M12	EA30212-W012	EB30212-W012	EC30212-W012	EE30212-W012	4g	19	25.3	29.3	8	2.8	10.8	12.8	2	2400	
M16	EA30212-W016	EB30212-W016	EC30212-W016	EE30212-W016	5g	24	31.3	35.3	10	3.3	13.3	15.3	2	2000	
M20	EA30212-W020	EB30212-W020	EC30212-W020	EE30212-W020	6g	30	38.3	42.3	13	3.3	16.3	18.3	2	1200	
M22	EA30212-W022	EB30212-W022	EC30212-W022	EE30212-W022	8g	32	40.3	45.3	14	3.3	17.3	19.8	2.5	1000	
M24	EA30212-W024	EB30212-W024	EC30212-W024	EE30212-W024	11g	36	45.4	50.4	15	4.4	19.4	21.9	2.5	1000	

Custom made color



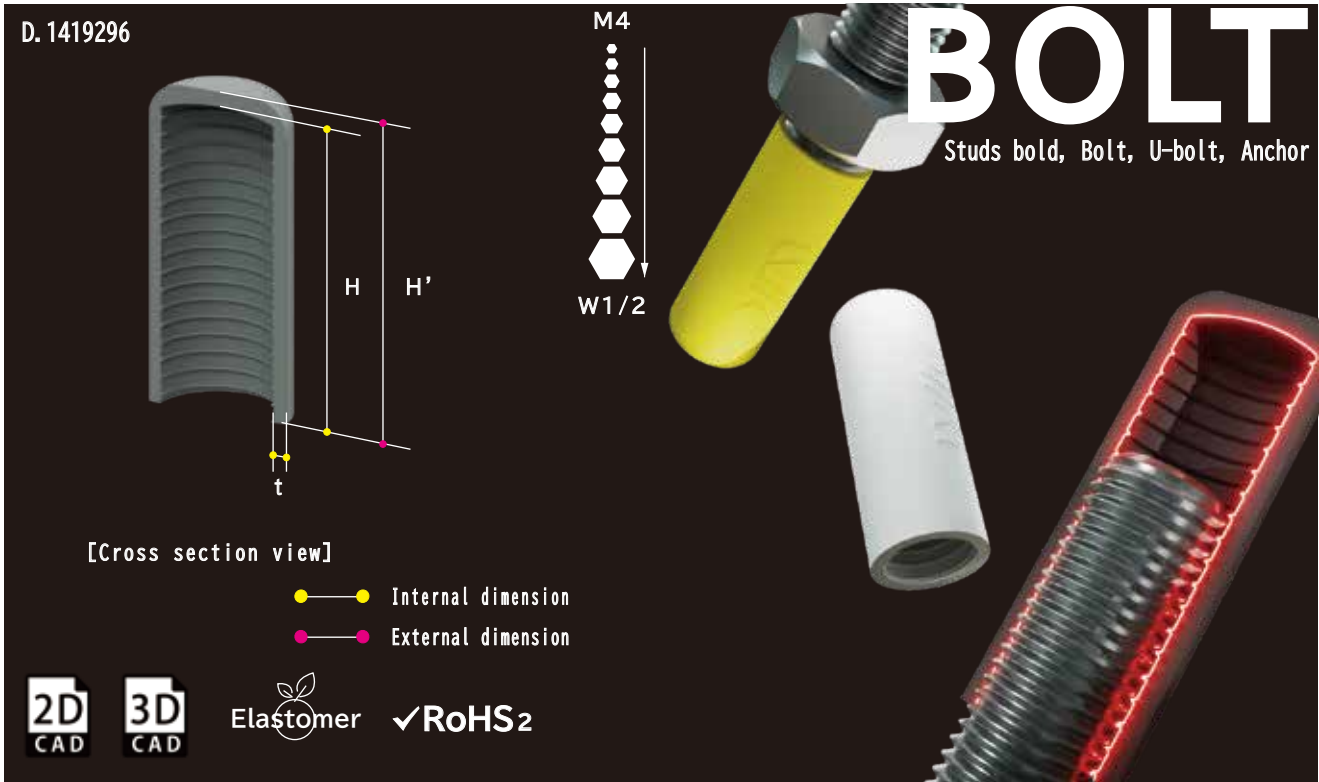
Ivory/Blue/Red/Brown applies for custom made.
It takes 4 to 7 days for delivery.

Size	[Ivory]	[Blue]	[Red]	[Brown]	Weight	Size								Shipping Unit	MSRP perPCS
	Product No.	Product No.	Product No.	Product No.		A	D	D'	H1	H2	H	H'	t		
M6	ED30212-W006	EF30212-W006	EG30212-W006	EH30212-W006	1g	10	13.2	16.2	5	1.8	6.8	8.3	1.5	3000	
M8	ED30212-W008	EF30212-W008	EG30212-W008	EH30212-W008	2g	13	17.7	20.7	6.5	1.8	8.3	9.8	1.5	3000	
M10	ED30212-W010	EF30212-W010	EG30212-W010	EH30212-W010	3g	17	21.7	24.7	8	2.2	10.2	11.7	1.5	3000	
M12	ED30212-W012	EF30212-W012	EG30212-W012	EH30212-W012	4g	19	25.3	29.3	8	2.8	10.8	12.8	2	2400	
M16	ED30212-W016	EF30212-W016	EG30212-W016	EH30212-W016	5g	24	31.3	35.3	10	3.3	13.3	15.3	2	2000	
M20	ED30212-W020	EF30212-W020	EG30212-W020	EH30212-W020	6g	30	38.3	42.3	13	3.3	16.3	18.3	2	1200	
M22	ED30212-W022	EF30212-W022	EG30212-W022	EH30212-W022	8g	32	40.3	45.3	14	3.3	17.3	19.8	2.5	1000	
M24	ED30212-W024	EF30212-W024	EG30212-W024	EH30212-W024	11g	36	45.4	50.4	15	4.4	19.4	21.9	2.5	1000	

EL CAP Series

EL Bolt Cap

9307



[Cross section view]

● Internal dimension
● External dimension



✓RoHS2

Color Lineup

Recommended for outdoor use



[Black]



[White]



[Gray]



[Yellow]

M8 and W5/16 can be used for both.

Size	[Black] Product No.	[White] Product No.	[Gray] Product No.	[Yellow] Product No.	Weight	Size H x H' x t	Shipping Unit Box	MSRP perPCS
M4	EA30203-0004	EB30203-0004	EC30203-0004	EE30203-0004	1g	15x16.7x1.0	3000	
M5	EA30203-0005	EB30203-0005	EC30203-0005	EE30203-0005	1g	15x16.7x1.0	3000	
M6	EA30203-0006	EB30203-0006	EC30203-0006	EE30203-0006	1g	20x21.7x1.0	3000	
M8	EA30203-0008	EB30203-0008	EC30203-0008	EE30203-0008	1g	25x27x1.3	3000	
M1 0	EA30203-0010	EB30203-0010	EC30203-0010	EE30203-0010	1g	30x32.5x1.3	3000	
M1 2	EA30203-0012	EB30203-0012	EC30203-0012	EE30203-0012	2g	30x32.5x1.3	3000	
W5/16	EA30203-0516	EB30203-0516	EC30203-0516	EE30203-0516	1g	25x27x1.3	3000	
W3/8	EA30203-0308	EB30203-0308	EC30203-0308	EE30203-0308	1g	30x32.5x1.3	3000	
W1/2	EA30203-0102	EB30203-0102	EC30203-0102	EE30203-0102	2g	30x32.5x1.3	3000	

Custom made color



[Ivory]



[Blue]



[Red]



[Brown]

Ivory/Blue/Red/Brown applies for custom made.
It takes 4 to 7 days for delivery.

Size	[Ivory] Product No.	[Blue] Product No.	[Red] Product No.	[Brown] Product No.	Weight	Size H x H' x t	Shipping Unit Box	MSRP perPCS
M4	ED30203-0004	EF30203-0004	EG30203-0004	EH30203-0004	1g	15x16.7x1.0	3000	
M5	ED30203-0005	EF30203-0005	EG30203-0005	EH30203-0005	1g	15x16.7x1.0	3000	
M6	ED30203-0006	EF30203-0006	EG30203-0006	EH30203-0006	1g	20x21.7x1.0	3000	
M8	ED30203-0008	EF30203-0008	EG30203-0008	EH30203-0008	1g	25x27x1.3	3000	
M1 0	ED30203-0010	EF30203-0010	EG30203-0010	EH30203-0010	1g	30x32.5x1.3	3000	
M1 2	ED30203-0012	EF30203-0012	EG30203-0012	EH30203-0012	2g	30x32.5x1.3	3000	
W5/16	ED30203-0516	EF30203-0516	EG30203-0516	EH30203-0516	1g	25x27x1.3	3000	
W3/8	ED30203-0308	EF30203-0308	EG30203-0308	EH30203-0308	1g	30x32.5x1.3	3000	
W1/2	ED30203-0102	EF30203-0102	EG30203-0102	EH30203-0102	2g	30x32.5x1.3	3000	

BOLT

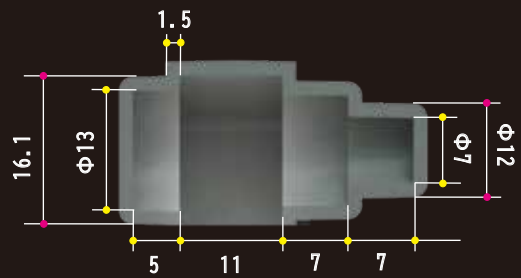
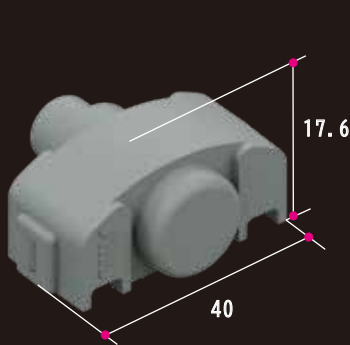
Ductor Clip



✓RoHS2 Elastomer

2D CAD

3D CAD



[Cross section view]

● Internal dimension
● External dimension

Color Lineup

Recommended for outdoor use



[Black]



[White]



[Gray]



[Yellow]

[Black] Product No.	[White] Product No.	[Gray] Product No.	[Yellow] Product No.	Weight	Shipping Unit Box	MSRP per PCS
EA30208-0001	EB30208-0001	EC30208-0001	EE30208-0001	3g	3600	

EL CAP Series

EL Hexagon Nut Cap

9302

EL Hexagon Nut Cap

* The size stamped on the back of the product is the diameter of the hexagon nut.

*A is the dimension of the diameter of the nut.

M6
M12

NUT
Hexagon Nut cap

[Cross section view]

- Internal dimension
- External dimension

2D CAD 3D CAD Elastomer ✓RoHS2

Color Lineup

Recommended for outdoor use



M6 to M10 can be used as EL hex bolt caps as well.

Size	[Black] Product No.	[White] Product No.	[Gray] Product No.	[Yellow] Product No.	Weight	Size A x H (A' x H')	Shipping Unit Box	MSRP perPCS
M6	EA30218-0006	EB30218-0006	EC30218-0006	EE30218-0006	1g	10x5 (13x6.5)	3000	
M8	EA30218-0008	EB30218-0008	EC30218-0008	EE30218-0008	1g	13x6.5 (16x8)	3000	
M10	EA30218-0010	EB30218-0010	EC30218-0010	EE30218-0010	2g	17x8 (20x9.5)	3000	
M12	EA30218-0012	EB30218-0012	EC30218-0012	EE30218-0012	3g	19x10 (23x12)	3000	

Custom made color



Ivory/Blue/Red/Brown applies for custom made. It takes 4 to 7 days for delivery.

Size	[Ivory] Product No.	[Blue] Product No.	[Red] Product No.	[Brown] Product No.	Weight	Size A x H (A' x H')	Shipping Unit Box	MSRP perPCS
M6	ED30218-0006	EF30218-0006	EG30218-0006	EH30218-0006	1g	10x5 (13x6.5)	3000	
M8	ED30218-0008	EF30218-0008	EG30218-0008	EH30218-0008	1g	13x6.5 (16x8)	3000	
M10	ED30218-0010	EF30218-0010	EG30218-0010	EH30218-0010	2g	17x8 (20x9.5)	3000	
M12	ED30218-0012	EF30218-0012	EG30218-0012	EH30218-0012	3g	19x10 (23x12)	3000	

EL CAP Series

EL Nut Cosmetic Cap

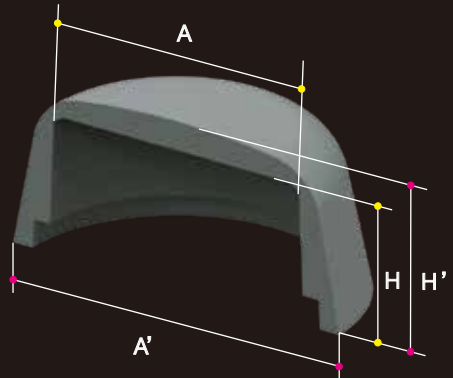
9303

NUT

Hexagon Nut cap



* The size stamped on the back of the product is the diameter of the hexagonal Nut.



[Cross section view]

● Internal dimension
● External dimension

✓RoHS2 Elastomer



Color Lineup

Recommended for outdoor use



[Black]

[White]

[Gray]

[Yellow]

M6 to M10 can be used as EL cosmetic bolt caps as well.

Size	[Black] Product No.	[White] Product No.	[Gray] Product No.	[Yellow] Product No.	Weight	Size A x H (A' x H')	Shipping Unit Box	MSRP perPCS
M6	FA30218-0006	FB30218-0006	FC30218-0006	FE30218-0006	1g	10.5x4.5 (15.5x6)	3000	
M8	FA30218-0008	FB30218-0008	FC30218-0008	FE30218-0008	1g	14x6 (20x8)	3000	
M10	FA30218-0010	FB30218-0010	FC30218-0010	FE30218-0010	2g	18x7.5 (26x9.5)	3000	

Custom made color



[Ivory]

[Blue]

[Red]

[Brown]

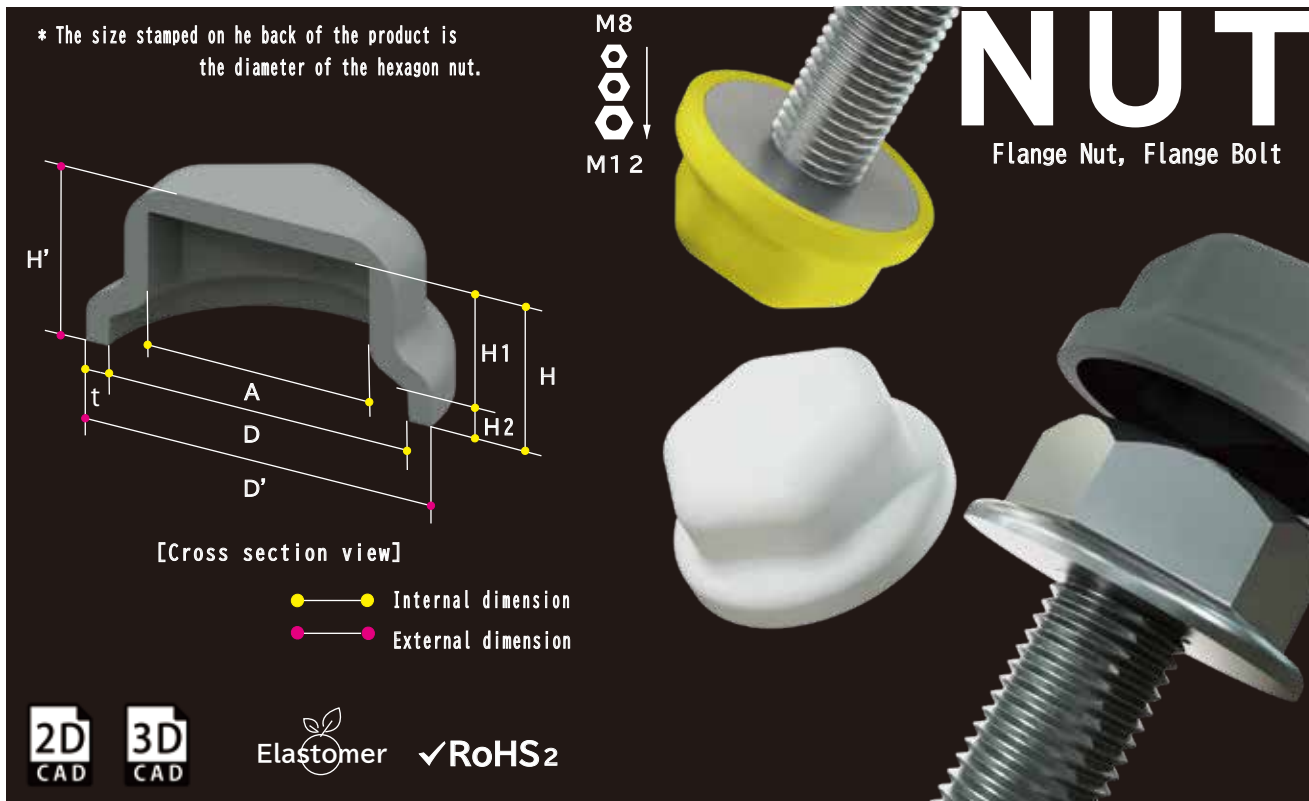
Ivory/Blue/Red/Brown applies for custom made. It takes 4 to 7 days for delivery.

Size	[Ivory] Product No.	[Blue] Product No.	[Red] Product No.	[Brown] Product No.	Weight	Size A x H (A' x H')	Shipping Unit Box	MSRP perPCS
M6	FD30218-0006	FF30218-0006	FG30218-0006	FH30218-0006	1g	10.5x4.5 (15.5x6)	3000	
M8	FD30218-0008	FF30218-0008	FG30218-0008	FH30218-0008	1g	14x6 (20x8)	3000	
M10	FD30218-0010	FF30218-0010	FG30218-0010	FH30218-0010	2g	18x7.5 (26x9.5)	3000	

EL CAP Series

EL Flange Nut Cap

9304



Color Lineup

Recommended for outdoor use



Size	[Black]	[White]	[Gray]	[Yellow]	Weight	Size							Shipping Unit Box	MSRP perPCS	
	Product No.	Product No.	Product No.	Product No.		A	D	D'	H1	H2	H	H'			t
M8	EA30219-0008	EB30219-0008	EC30219-0008	EE30219-0008	1g	12	16.8	19.8	6	1.5	7.5	9	1.5	3000	
M10	EA30219-0010	EB30219-0010	EC30219-0010	EE30219-0010	2g	14	18.8	10.5	7.2	1.8	9	10.5	1.5	3000	
M12	EA30219-0012	EB30219-0012	EC30219-0012	EE30219-0012	3g	17	24	28	9.2	1.8	11	13	2	1800	

Custom made color



Ivory/Blue/Red/Brown applies for custom made. It takes 4 to 7 days for delivery.

Size	[Ivory]	[Blue]	[Red]	[Brown]	Weight	Size							Shipping Unit Box	MSRP perPCS	
	Product No.	Product No.	Product No.	Product No.		A	D	D'	H1	H2	H	H'			t
M8	ED30219-0008	EF30219-0008	EG30219-0008	EH30219-0008	1g	12	16.8	19.8	6	1.5	7.5	9	1.5	3000	
M10	ED30219-0010	EF30219-0010	EG30219-0010	EH30219-0010	2g	14	18.8	10.5	7.2	1.8	9	10.5	1.5	3000	
M12	ED30219-0012	EF30219-0012	EG30219-0012	EH30219-0012	3g	17	24	28	9.2	1.8	11	13	2	1800	

EL CAP Series

EL Single Nut Cap

9308

NUT

Studs bold, Bolt, U-bolt, Anchor

D. 1439796



✓RoHS2

Elastomer

2D CAD

3D CAD

Color Lineup

Recommended for outdoor use



[Black]



[White]



[Gray]



[Yellow]

Size	[Black]	[White]	[Gray]	[Yellow]	Weight	Size							Shipping Unit Box	MSRP perPCS
	Product No.	Product No.	Product No.	Product No.		A	A'	H	H'	H1	H2	t		
M6	EA30204-0006	EB30204-0006	EC30204-0006	EE30204-0006	1g	10	12	20	21.2	15	5	1.0	3000	
M8	EA30204-0008	EB30204-0008	EC30204-0008	EE30204-0008	1g	13	15.6	22	23.5	15	7	1.3	3000	
M1 0	EA30204-0010	EB30204-0010	EC30204-0010	EE30204-0010	2g	17	19.6	23	24.5	15	8	1.3	3000	
M1 2	EA30204-0012	EB30204-0012	EC30204-0012	EE30204-0012	3g	19	21.6	30	32	20	10	1.3	2000	
M1 6	EA30204-0016	EB30204-0016	EC30204-0016	EE30204-0016	6g	24	27	38	40	25	13	1.5	1600	
M2 0	EA30204-0020	EB30204-0020	EC30204-0020	EE30204-0020	9g	30	34	46	48	30	16	2.0	1000	
M2 2	EA30204-0022	EB30204-0022	EC30204-0022	EE30204-0022	15g	32	37	58	60.5	40	18	2.5	500	
M2 4	EA30204-0024	EB30204-0024	EC30204-0024	EE30204-0024	19g	36	41	69	71.5	50	19	2.5	500	
W3/8	EA30204-0308	EB30204-0308	EC30204-0308	EE30204-0308	2g	17	19.6	23	24.5	15	8	1.3	3000	
W1/2	EA30204-0102	EB30204-0102	EC30204-0102	EE30204-0102	3g	21	23.6	30	32	20	10	1.3	2000	

Custom made color



[Ivory]



[Blue]



[Red]



[Brown]

Ivory/Blue/Red/Brown applies for custom made. It takes 4 to 7 days for delivery.

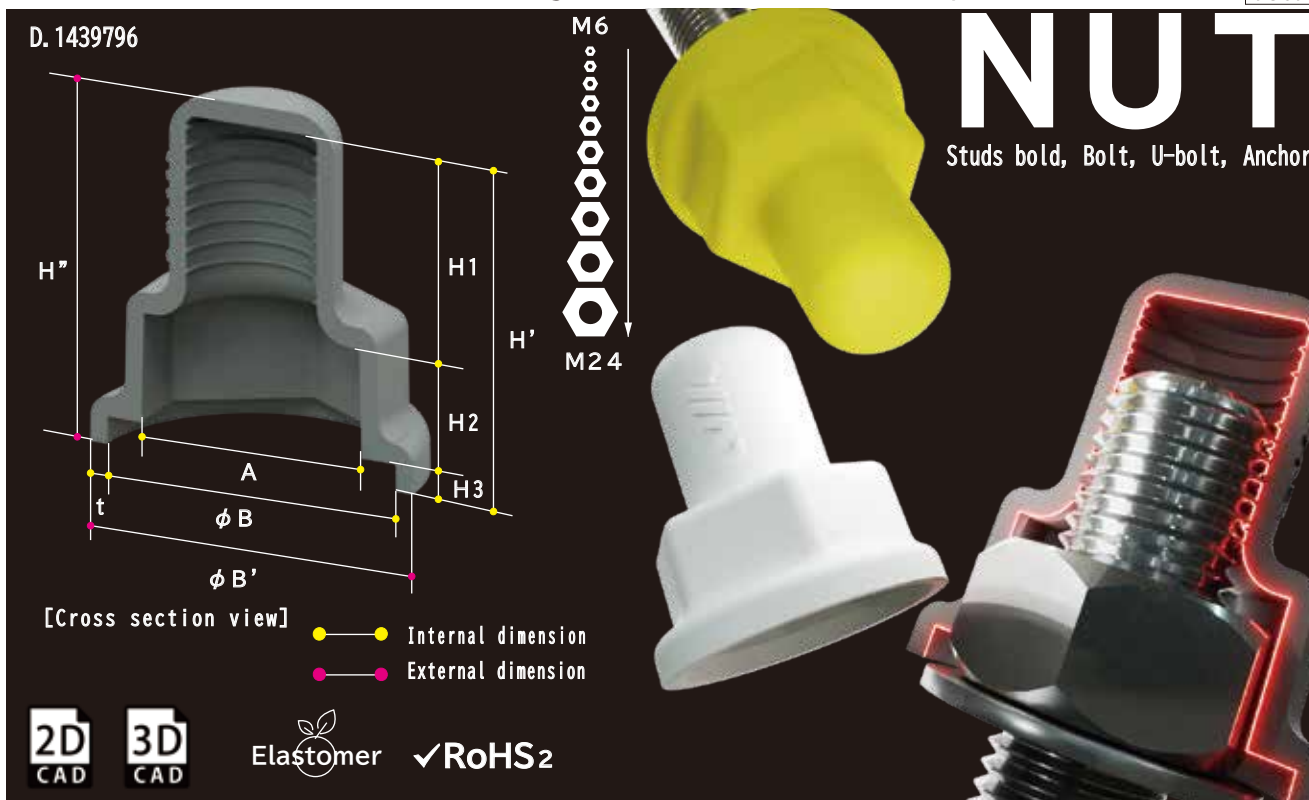
Size	[Ivory]	[Blue]	[Red]	[Brown]	Weight	Size							Shipping Unit Box	MSRP perPCS
	Product No.	Product No.	Product No.	Product No.		A	A'	H	H'	H1	H2	t		
M6	ED30204-0006	EF30204-0006	EG30204-0006	EH30204-0006	1g	10	12	20	21.2	15	21.2	1.0	3000	
M8	ED30204-0008	EF30204-0008	EG30204-0008	EH30204-0008	1g	13	15.6	22	23.5	15	23.5	1.3	3000	
M1 0	ED30204-0010	EF30204-0010	EG30204-0010	EH30204-0010	2g	17	19.6	23	24.5	15	24.5	1.3	3000	
M1 2	ED30204-0012	EF30204-0012	EG30204-0012	EH30204-0012	3g	19	21.6	30	32	20	32	1.3	2000	
M1 6	ED30204-0016	EF30204-0016	EG30204-0016	EH30204-0016	6g	24	27	38	40	25	40	1.5	1600	
M2 0	ED30204-0020	EF30204-0020	EG30204-0020	EH30204-0020	9g	30	34	46	48	30	48	2.0	1000	
M2 2	ED30204-0022	EF30204-0022	EG30204-0022	EH30204-0022	15g	32	37	58	60.5	40	60.5	2.5	500	
M2 4	ED30204-0024	EF30204-0024	EG30204-0024	EH30204-0024	19g	36	41	69	71.5	50	71.5	2.5	500	
W3/8	ED30204-0308	EF30204-0308	EG30204-0308	EH30204-0308	2g	17	19.6	23	24.5	15	24.5	1.3	3000	
W1/2	ED30204-0102	EF30204-0102	EG30204-0102	EH30204-0102	3g	21	23.6	30	32	20	32	1.3	2000	

EL CAP Series

EL Single Nut Washer Attached Cap

9309

EL Single Nut Washer Attached Cap



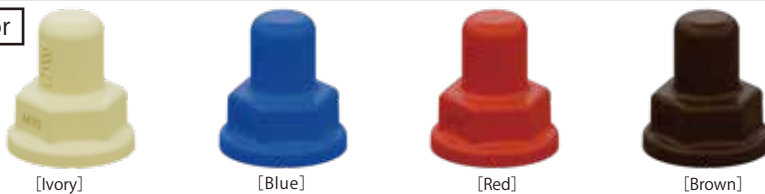
Color Lineup

Recommended for outdoor use



Size	[Black] Product No.	[White] Product No.	[Gray] Product No.	[Yellow] Product No.	Weight	Size										Shipping Unit Box	MSRP perPCS
						A	φB	φB'	H1	H2	H3	H'	H''	t			
M6	EA30210-0006	EB30210-0006	EC30210-0006	EE30210-0006	1g	10	13.1	15.1	15	5	2	22	23.2	1.0	3000		
M8	EA30210-0008	EB30210-0008	EC30210-0008	EE30210-0008	2g	13	18.1	20.7	15	7	2	24	25.5	1.3	2000		
M10	EA30210-0010	EB30210-0010	EC30210-0010	EE30210-0010	3g	17	22.1	24.7	15	8	2	25	26.5	1.3	2000		
M12	EA30210-0012	EB30210-0012	EC30210-0012	EE30210-0012	4g	19	26.1	29.1	20	10	3	33	35	1.5	2000		
M16	EA30210-0016	EB30210-0016	EC30210-0016	EE30210-0016	7g	24	32.1	36.1	25	13	3	41	43	2.0	2000		
M20	EA30210-0020	EB30210-0020	EC30210-0020	EE30210-0020	11g	30	40.1	44.1	30	16	4	50	52	2.0	1000		
M22	EA30210-0022	EB30210-0022	EC30210-0022	EE30210-0022	18g	32	44.1	49.1	40	18	4	62	64.5	2.5	500		
M24	EA30210-0024	EB30210-0024	EC30210-0024	EE30210-0024	23g	36	48.2	53.2	50	19	5	74	76.5	2.5	500		
W3/8	EA30210-0308	EB30210-0308	EC30210-0308	EE30210-0308	3g	17	25.1	27.7	15	8	3	26	27.5	1.3	2000		
W1/2	EA30210-0102	EB30210-0102	EC30210-0102	EE30210-0102	5g	21	32.1	35.1	20	10	3	33	35	1.5	2000		

Custom made color



Ivory/Blue/Red/Brown applies for custom made.
It takes 4 to 7 days for delivery.

Size	[Ivory] Product No.	[Blue] Product No.	[Red] Product No.	[Brown] Product No.	Weight	Size										Shipping Unit Box	MSRP perPCS
						A	φB	φB'	H1	H2	H3	H'	H''	t			
M6	ED30210-0006	EF30210-0006	EG30210-0006	EH30210-0006	1g	10	13.1	15.1	15	5	2	22	23.2	1.0	3000		
M8	ED30210-0008	EF30210-0008	EG30210-0008	EH30210-0008	2g	13	18.1	20.7	15	7	2	24	25.5	1.3	2000		
M10	ED30210-0010	EF30210-0010	EG30210-0010	EH30210-0010	3g	17	22.1	24.7	15	8	2	25	26.5	1.3	2000		
M12	ED30210-0012	EF30210-0012	EG30210-0012	EH30210-0012	4g	19	26.1	29.1	20	10	3	33	35	1.5	2000		
M16	ED30210-0016	EF30210-0016	EG30210-0016	EH30210-0016	7g	24	32.1	36.1	25	13	3	41	43	2.0	2000		
M20	ED30210-0020	EF30210-0020	EG30210-0020	EH30210-0020	11g	30	40.1	44.1	30	16	4	50	52	2.0	1000		
M22	ED30210-0022	EF30210-0022	EG30210-0022	EH30210-0022	18g	32	44.1	49.1	40	18	4	62	64.5	2.5	500		
M24	ED30210-0024	EF30210-0024	EG30210-0024	EH30210-0024	23g	36	48.2	53.2	50	19	5	74	76.5	2.5	500		
W3/8	ED30210-0308	EF30210-0308	EG30210-0308	EH30210-0308	3g	17	25.1	27.7	15	8	3	26	27.5	1.3	2000		
W1/2	ED30210-0102	EF30210-0102	EG30210-0102	EH30210-0102	5g	21	32.1	35.1	20	10	3	33	35	1.5	2000		

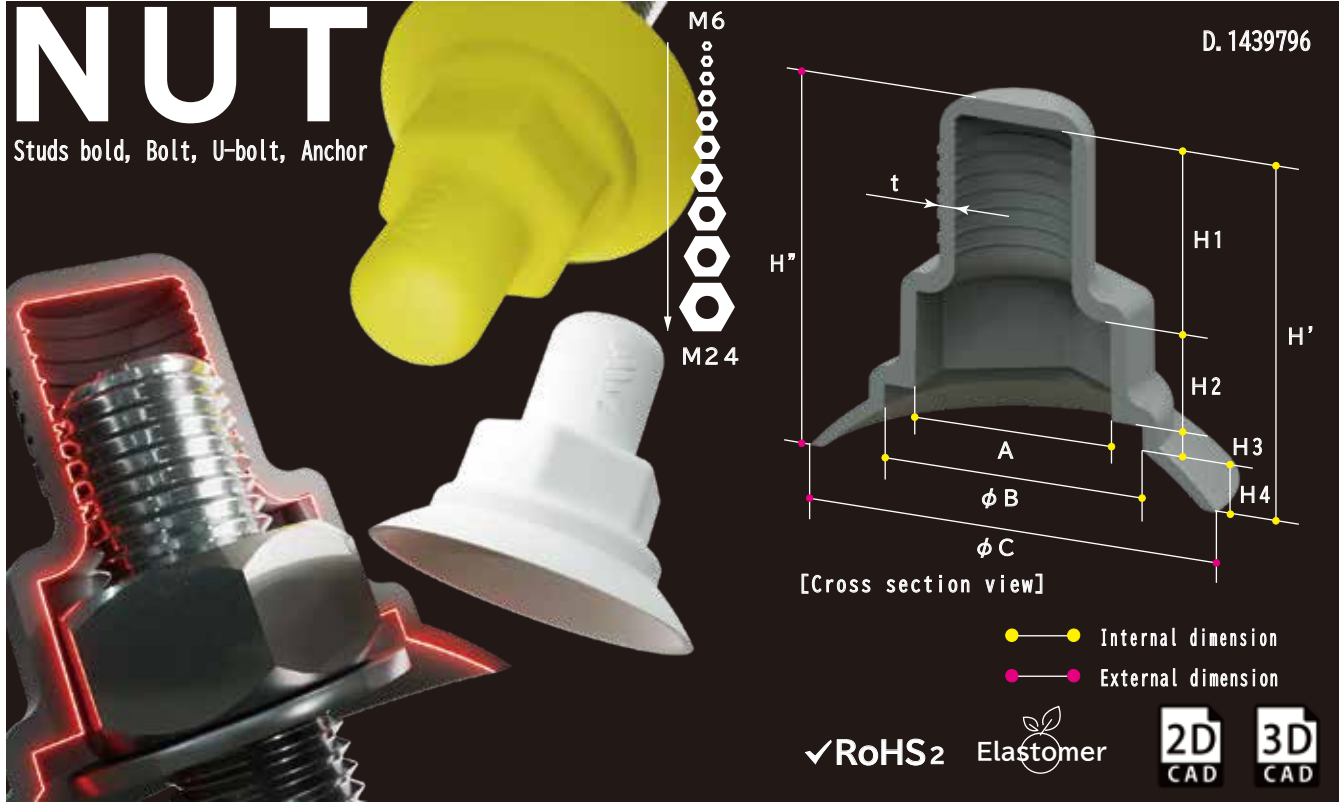
EL CAP Series

WS Type EL Single Nut Washer Attached Cap

NUT

Studs bold, Bolt, U-bolt, Anchor

D. 1439796



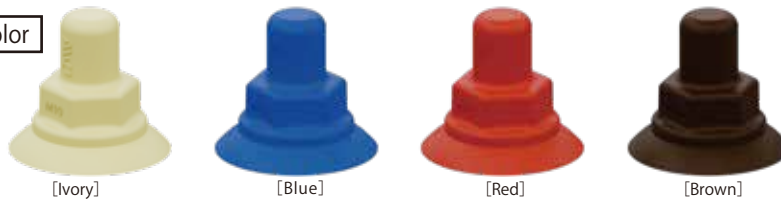
Color Lineup

Recommended for outdoor use



Size	[Black]	[White]	[Gray]	[Yellow]	Weight	Size											Shipping Unit Box	MSRP perPCS
	Product No.	Product No.	Product No.	Product No.		A	φB	φC	H1	H2	H3	H3	H'	H''	t			
M6	EA30210-W006	EB30210-W006	EC30210-W006	EE30210-W006	1g	10	13.1	23.1	15	5	2	2	23.2	25	1.0	2000		
M8	EA30210-W008	EB30210-W008	EC30210-W008	EE30210-W008	2g	13	18.1	28.7	15	7	2	2	25.5	27.5	1.3	2000		
M10	EA30210-W010	EB30210-W010	EC30210-W010	EE30210-W010	3g	17	22.1	34.7	15	8	2	2	26.5	29	1.3	2000		
M12	EA30210-W012	EB30210-W012	EC30210-W012	EE30210-W012	5g	19	26.1	39.1	20	10	3	3	35	37.5	1.5	1500		
M16	EA30210-W016	EB30210-W016	EC30210-W016	EE30210-W016	9g	24	32.1	48.1	25	13	3	3	43	46	2.0	1000		
M20	EA30210-W020	EB30210-W020	EC30210-W020	EE30210-W020	13g	30	40.1	56.1	30	16	4	4	52	55.5	2.0	1000		
M22	EA30210-W022	EB30210-W022	EC30210-W022	EE30210-W022	20g	32	44.1	63.1	40	18	4	4	64.5	68	2.5	500		
M24	EA30210-W024	EB30210-W024	EC30210-W024	EE30210-W024	25g	36	48.2	67.2	50	19	5	5	76.5	80	2.5	500		
W3/8	EA30210-W0308	EB30210-W0308	EC30210-W0308	EE30210-W0308	3g	17	25.1	37.7	15	8	3	3	27.5	30	1.3	2000		
W1/2	EA30210-W0102	EB30210-W0102	EC30210-W0102	EE30210-W0102	6g	21	32.1	45.1	20	10	3	3	35	37.5	1.5	1500		

Custom made color



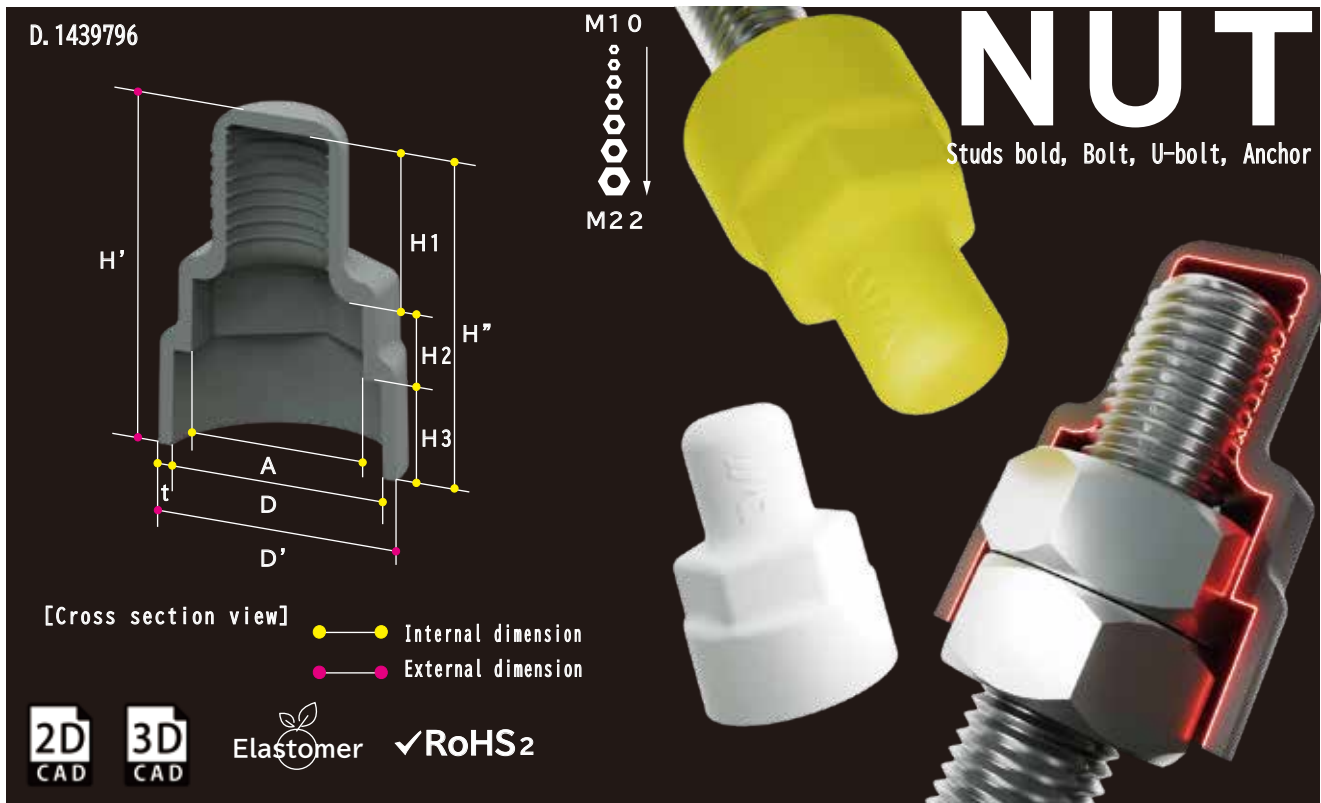
Ivory/Blue/Red/Brown applies for custom made. It takes 4 to 7 days for delivery.

Size	[Ivory]	[Blue]	[Red]	[Brown]	Weight	Size											Shipping Unit Box	MSRP perPCS
	Product No.	Product No.	Product No.	Product No.		A	φB	φC	H1	H2	H3	H3	H'	H''	t			
M6	ED30210-W006	EF30210-W006	EG30210-W006	EH30210-W006	1g	10	13.1	23.1	15	5	2	2	23.2	25	1.0	2000		
M8	ED30210-W008	EF30210-W008	EG30210-W008	EH30210-W008	2g	13	18.1	28.7	15	7	2	2	25.5	27.5	1.3	2000		
M10	ED30210-W010	EF30210-W010	EG30210-W010	EH30210-W010	3g	17	22.1	34.7	15	8	2	2	26.5	29	1.3	2000		
M12	ED30210-W012	EF30210-W012	EG30210-W012	EH30210-W012	5g	19	26.1	39.1	20	10	3	3	35	37.5	1.5	1500		
M16	ED30210-W016	EF30210-W016	EG30210-W016	EH30210-W016	9g	24	32.1	48.1	25	13	3	3	43	46	2.0	1000		
M20	ED30210-W020	EF30210-W020	EG30210-W020	EH30210-W020	13g	30	40.1	56.1	30	16	4	4	52	55.5	2.0	1000		
M22	ED30210-W022	EF30210-W022	EG30210-W022	EH30210-W022	20g	32	44.1	63.1	40	18	4	4	64.5	68	2.5	500		
M24	ED30210-W024	EF30210-W024	EG30210-W024	EH30210-W024	25g	36	48.2	67.2	50	19	5	5	76.5	80	2.5	500		
W3/8	ED30210-W0308	EF30210-W0308	EG30210-W0308	EH30210-W0308	3g	17	25.1	37.7	15	8	3	3	27.5	30	1.3	2000		
W1/2	ED30210-W0102	EF30210-W0102	EG30210-W0102	EH30210-W0102	6g	21	32.1	45.1	20	10	3	3	35	37.5	1.5	1500		

EL CAP Series

EL Double Nut Cap

9311



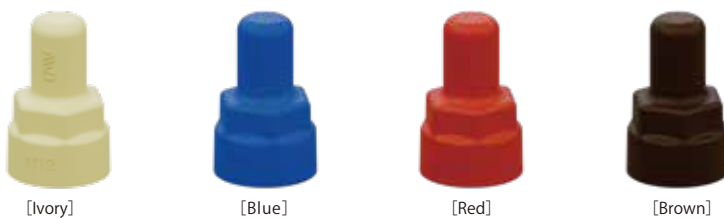
Color Lineup

Recommended for outdoor use



Size	[Black]	[White]	[Gray]	[Yellow]	Weight	Size										Shipping Unit Box	MSRP perPCS
	Product No.	Product No.	Product No.	Product No.		A	D	D'	H'	H''	H1	H2	H3	t			
M1 0	EA30206-0010	EB30206-0010	EC30206-0010	EE30206-0010	3g	17	20.5	23.1	32.5	31	15	7	9	1.3	2000		
M1 2	EA30206-0012	EB30206-0012	EC30206-0012	EE30206-0012	4g	19	23	26	42	40	20	9	11	1.5	2000		
M1 6	EA30206-0016	EB30206-0016	EC30206-0016	EE30206-0016	9g	24	28.8	32.8	53	51	25	12	14	2.0	1000		
M2 0	EA30206-0020	EB30206-0020	EC30206-0020	EE30206-0020	13g	30	35.9	39.9	64	62	30	15	17	2.0	1000		
M2 2	EA30206-0022	EB30206-0022	EC30206-0022	EE30206-0022	22g	32	38.4	43.4	78.5	76	40	17	19	2.5	500		
W3/8	EA30206-0308	EB30206-0308	EC30206-0308	EE30206-0308	3g	17	20.5	23.1	32.5	31	15	7	9	1.3	2000		
W1/2	EA30206-0102	EB30206-0102	EC30206-0102	EE30206-0102	6g	21	25.3	28.3	42	40	20	9	11	1.5	1000		

Custom made color



Ivory/Blue/Red/Brown applies for custom made.
It takes 4 to 7 days for delivery.

Size	[Ivory]	[Blue]	[Red]	[Brown]	Weight	Size										Shipping Unit Box	MSRP perPCS
	Product No.	Product No.	Product No.	Product No.		A	D	D'	H'	H''	H1	H2	H3	t			
M1 0	ED30206-0010	EF30206-0010	EG30206-0010	EH30206-0010	3g	17	20.5	23.1	32.5	31	15	7	9	1.3	2000		
M1 2	ED30206-0012	EF30206-0012	EG30206-0012	EH30206-0012	4g	19	23	26	42	40	20	9	11	1.5	1000		
M1 6	ED30206-0016	EF30206-0016	EG30206-0016	EH30206-0016	9g	24	28.8	32.8	53	51	25	12	14	2.0	1000		
M2 0	ED30206-0020	EF30206-0020	EG30206-0020	EH30206-0020	13g	30	35.9	39.9	64	62	30	15	17	2.0	1000		
M2 2	ED30206-0022	EF30206-0022	EG30206-0022	EH30206-0022	22g	32	38.4	43.4	78.5	76	40	17	19	2.5	500		
W3/8	ED30206-0308	EF30206-0308	EG30206-0308	EH30206-0308	3g	17	20.5	23.1	32.5	31	15	7	9	1.3	1600		
W1/2	ED30206-0102	EF30206-0102	EG30206-0102	EH30206-0102	6g	21	25.3	28.3	42	40	20	9	11	1.5	1000		

EL CAP Series

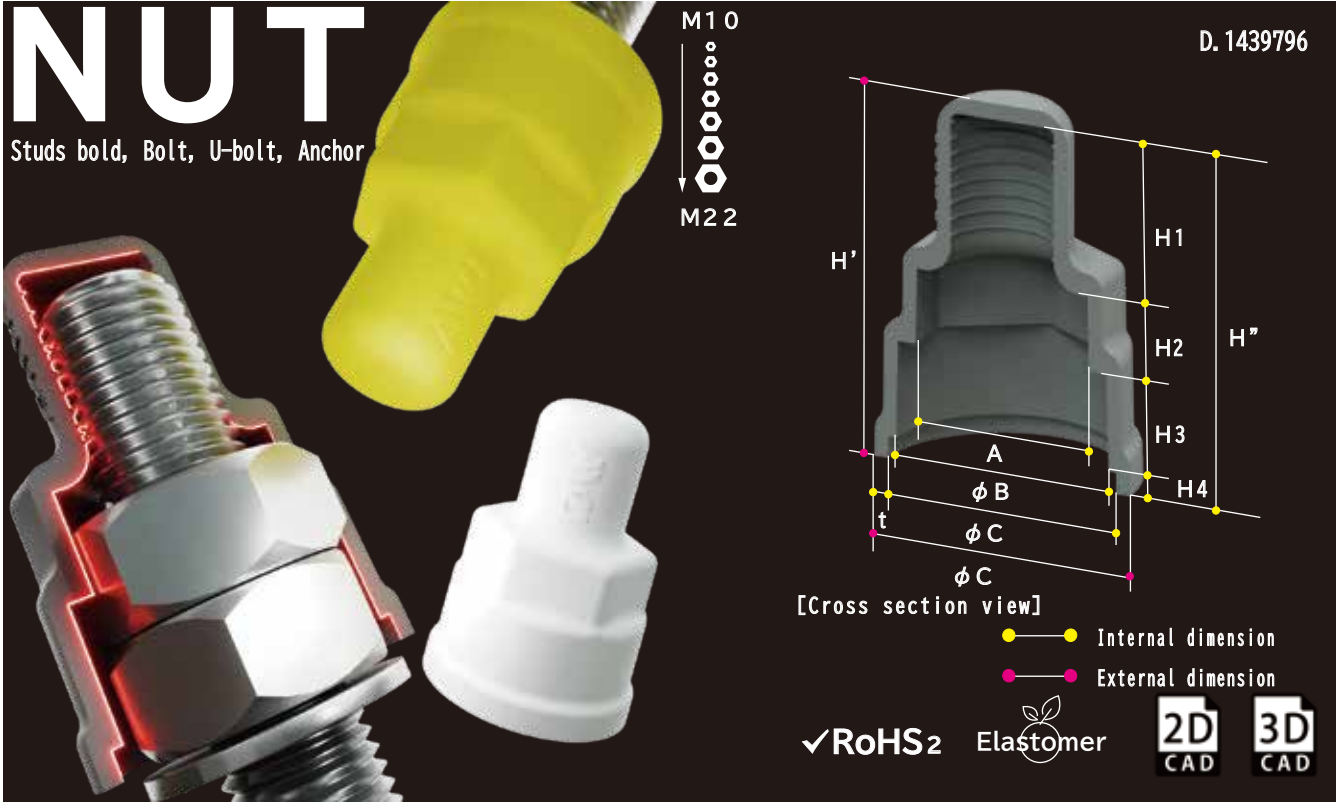
EL Double Nut Washer Attached Cap

9312

NUT

Studs bold, Bolt, U-bolt, Anchor

D. 1439796



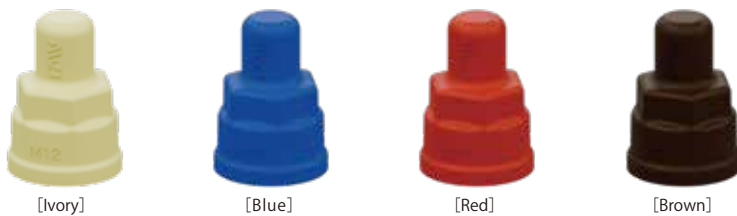
Color Lineup

Recommended for outdoor use



Size	[Black]	[White]	[Gray]	[Yellow]	Weight	Size										Shipping Unit	MSRP perPCS	
	Product No.	Product No.	Product No.	Product No.		A	φB	φC	φC'	H'	H''	H1	H2	H3	H4			t
M1 0	EA30211-0010	EB30211-0010	EC30211-0010	EE30211-0010	3g	17	20.5	22.1	24.7	34.5	33	15	7	9	2	1.3	1000	
M1 2	EA30211-0012	EB30211-0012	EC30211-0012	EE30211-0012	5g	19	23	26.1	29.1	45	43	20	9	11	3	1.3	1000	
M1 6	EA30211-0016	EB30211-0016	EC30211-0016	EE30211-0016	10g	24	28.8	32.1	36.1	56	54	25	12	14	3	1.5	1000	
M2 0	EA30211-0020	EB30211-0020	EC30211-0020	EE30211-0020	15g	30	35.9	40.1	44.1	68	66	30	15	17	4	2.0	1000	
M2 2	EA30211-0022	EB30211-0022	EC30211-0022	EE30211-0022	24g	32	38.4	44.1	49.1	82.5	80	40	17	19	4	2.5	500	
W3/8	EA30211-0308	EB30211-0308	EC30211-0308	EE30211-0308	3g	17	20.5	25.1	27.7	35.5	34	15	7	9	3	1.3	1000	
W1/2	EA30211-0102	EB30211-0102	EC30211-0102	EE30211-0102	6g	21	25.3	32.1	35.1	45	43	20	9	11	3	1.3	1000	

Custom made color



Ivory/Blue/Red/Brown applies for custom made. It takes 4 to 7 days for delivery.

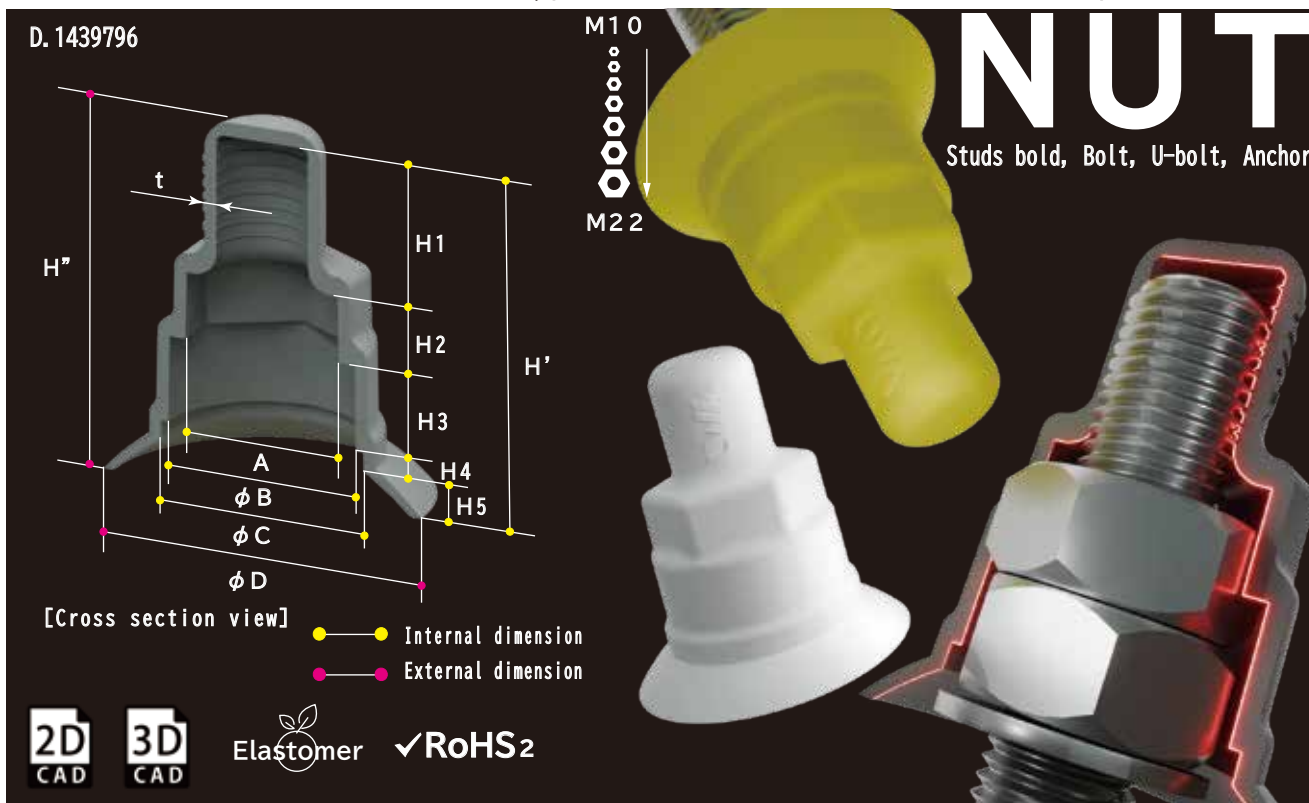
Size	[Ivory]	[Blue]	[Red]	[Brown]	Weight	Size										Shipping Unit	MSRP perPCS	
	Product No.	Product No.	Product No.	Product No.		A	φB	φC	φC'	H'	H''	H1	H2	H3	H4			t
M1 0	ED30211-0010	EF30211-0010	EG30211-0010	EH30211-0010	3g	17	20.5	22.1	24.7	34.5	33	15	7	9	2	1.3	1000	
M1 2	ED30211-0012	EF30211-0012	EG30211-0012	EH30211-0012	5g	19	23	26.1	29.1	45	43	20	9	11	3	1.3	1000	
M1 6	ED30211-0016	EF30211-0016	EG30211-0016	EH30211-0016	10g	24	28.8	32.1	36.1	56	54	25	12	14	3	1.5	1000	
M2 0	ED30211-0020	EF30211-0020	EG30211-0020	EH30211-0020	15g	30	35.9	40.1	44.1	68	66	30	15	17	4	2.0	1000	
M2 2	ED30211-0022	EF30211-0022	EG30211-0022	EH30211-0022	24g	32	38.4	44.1	49.1	82.5	80	40	17	19	4	2.5	500	
W3/8	ED30211-0308	EF30211-0308	EG30211-0308	EH30211-0308	3g	17	20.5	25.1	27.7	35.5	34	15	7	9	3	1.3	1000	
W1/2	ED30211-0102	EF30211-0102	EG30211-0102	EH30211-0102	6g	21	25.3	32.1	35.1	45	43	20	9	11	3	1.3	1000	

EL CAP Series

WS Type EL Double Nut Washer Attached Cap

9313

WS Type EL Double Nut Washer Attached Cap



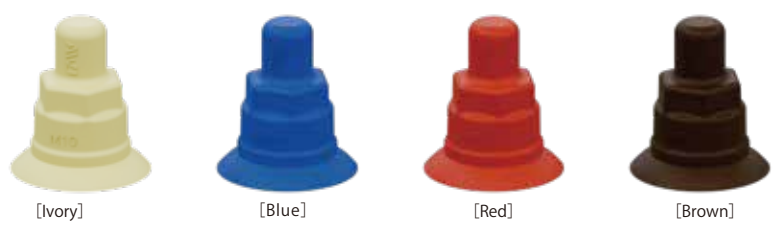
Color Lineup

Recommended for outdoor use



Size	[Black]	[White]	[Gray]	[Yellow]	Weight	Size										Shipping Unit Box	MSRP perPCS		
	Product No.	Product No.	Product No.	Product No.		A	φB	φC	φD	H'	H''	H1	H2	H3	H4			H5	t
M10	EA30211-W010	EB30211-W010	EC30211-W010	EE30211-W010	4g	17	20.5	22.1	34.7	37	38.5	15	7	9	2	4	1.3	1000	
M12	EA30211-W012	EB30211-W012	EC30211-W012	EE30211-W012	6g	19	23	26.1	39.1	47.5	49.5	20	9	11	3	4.5	1.3	1000	
M16	EA30211-W016	EB30211-W016	EC30211-W016	EE30211-W016	11g	24	28.8	32.1	48.1	59	61	25	12	14	3	5	1.5	500	
M20	EA30211-W020	EB30211-W020	EC30211-W020	EE30211-W020	17g	30	35.9	40.1	56.1	71.5	73.5	30	15	17	4	5.5	2.0	500	
M22	EA30211-W022	EB30211-W022	EC30211-W022	EE30211-W022	26g	32	38.4	44.1	63.1	86	88.5	40	17	19	4	6	2.5	500	
W3/8	EA30211-W0308	EB30211-W0308	EC30211-W0308	EE30211-W0308	4g	17	20.5	25.1	37.7	38	39.5	15	7	9	3	4	1.3	1000	
W1/2	EA30211-W0102	EB30211-W0102	EC30211-W0102	EE30211-W0102	7g	21	25.3	32.1	45.1	47.5	49.5	20	9	11	3	4.5	1.3	1000	

Custom made color



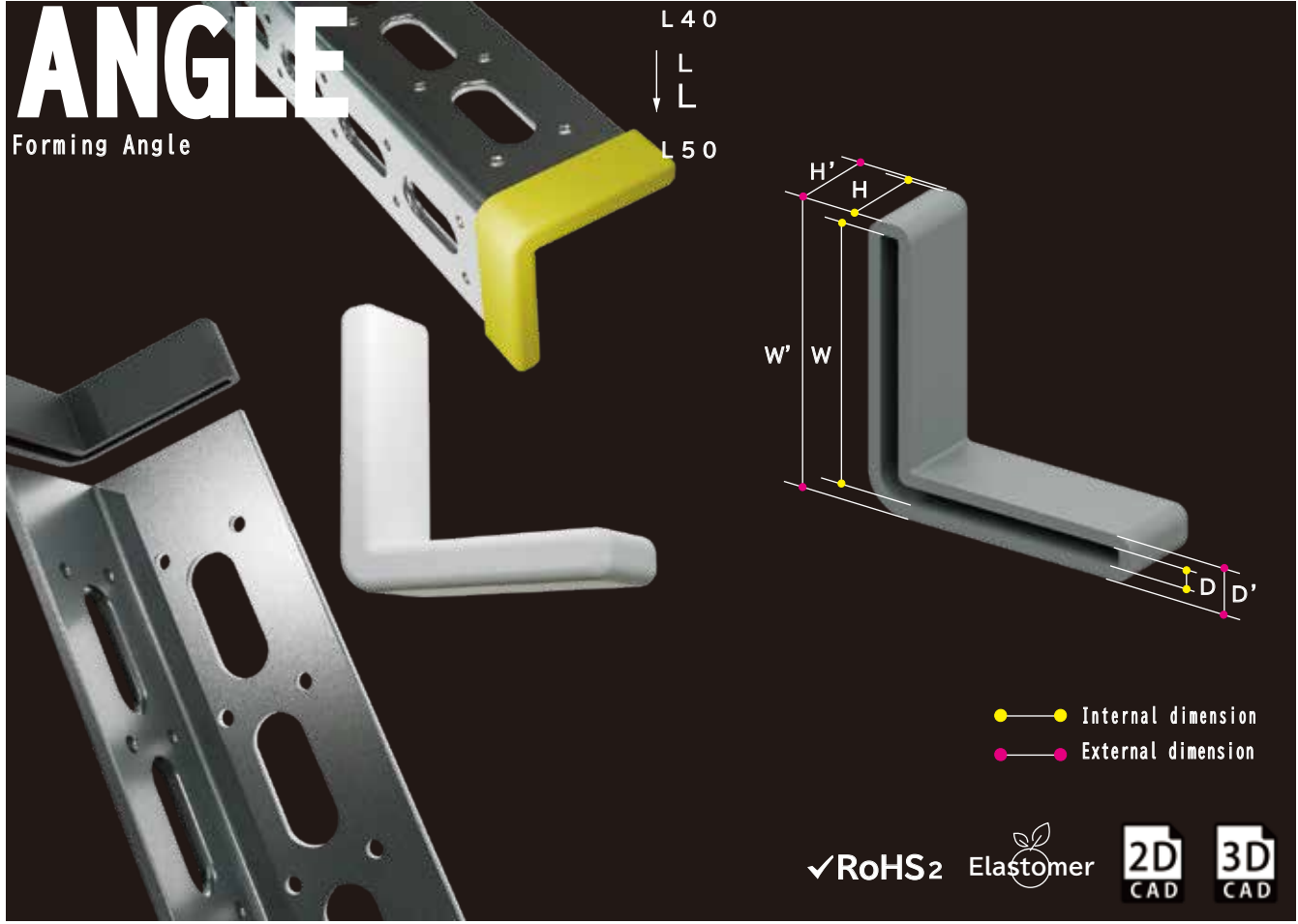
Ivory/Blue/Red/Brown applies for custom made. It takes 4 to 7 days for delivery.

Size	[Ivory]	[Blue]	[Red]	[Brown]	Weight	Size										Shipping Unit Box	MSRP perPCS		
	Product No.	Product No.	Product No.	Product No.		A	φB	φC	φD	H'	H''	H1	H2	H3	H4			H5	t
M10	ED30211-W010	EF30211-W010	EG30211-W010	EH30211-W010	4g	17	20.5	22.1	34.7	37	38.5	15	7	9	2	4	1.3	1000	
M12	ED30211-W012	EF30211-W012	EG30211-W012	EH30211-W012	6g	19	23	26.1	39.1	47.5	49.5	20	9	11	3	4.5	1.3	1000	
M16	ED30211-W016	EF30211-W016	EG30211-W016	EH30211-W016	11g	24	28.8	32.1	48.1	59	61	25	12	14	3	5	1.5	500	
M20	ED30211-W020	EF30211-W020	EG30211-W020	EH30211-W020	17g	30	35.9	40.1	56.1	71.5	73.5	30	15	17	4	5.5	2.0	500	
M22	ED30211-W022	EF30211-W022	EG30211-W022	EH30211-W022	26g	32	38.4	44.1	63.1	86	88.5	40	17	19	4	6	2.5	500	
W3/8	ED30211-W0308	EF30211-W0308	EG30211-W0308	EH30211-W0308	4g	17	20.5	25.1	37.7	38	39.5	15	7	9	3	4	1.3	1000	
W1/2	ED30211-W0102	EF30211-W0102	EG30211-W0102	EH30211-W0102	7g	21	25.3	32.1	45.1	47.5	49.5	20	9	11	3	4.5	1.3	1000	

EL CAP Series

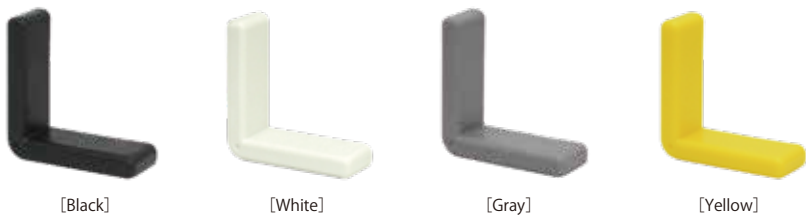
EL Perforated Angle Cap

9400



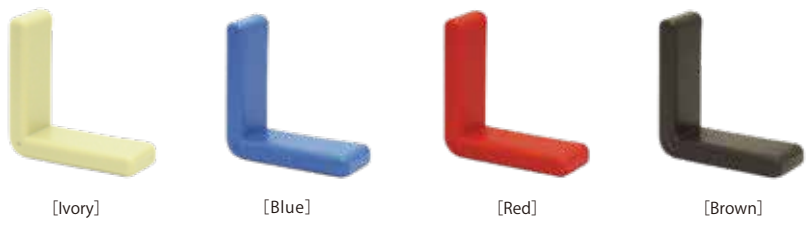
Color Lineup

Recommended for outdoor use



Size	[Black] Product No.	[White] Product No.	[Gray] Product No.	[Yellow] Product No.	Weight	Size W x D x H (W' x D' x H')	Shipping Unit Box	MSRP perPCS
F-L 4 0 E	FA30201-0040	FB30201-0040	FC30201-0040	FE30201-0040	5g	40x3x13 (44x7x15)	5000	
F-L 5 0 E	FA30201-0050	FB30201-0050	FC30201-0050	FE30201-0050	6g	50x4x13 (54x8x15)	5000	

Custom made color



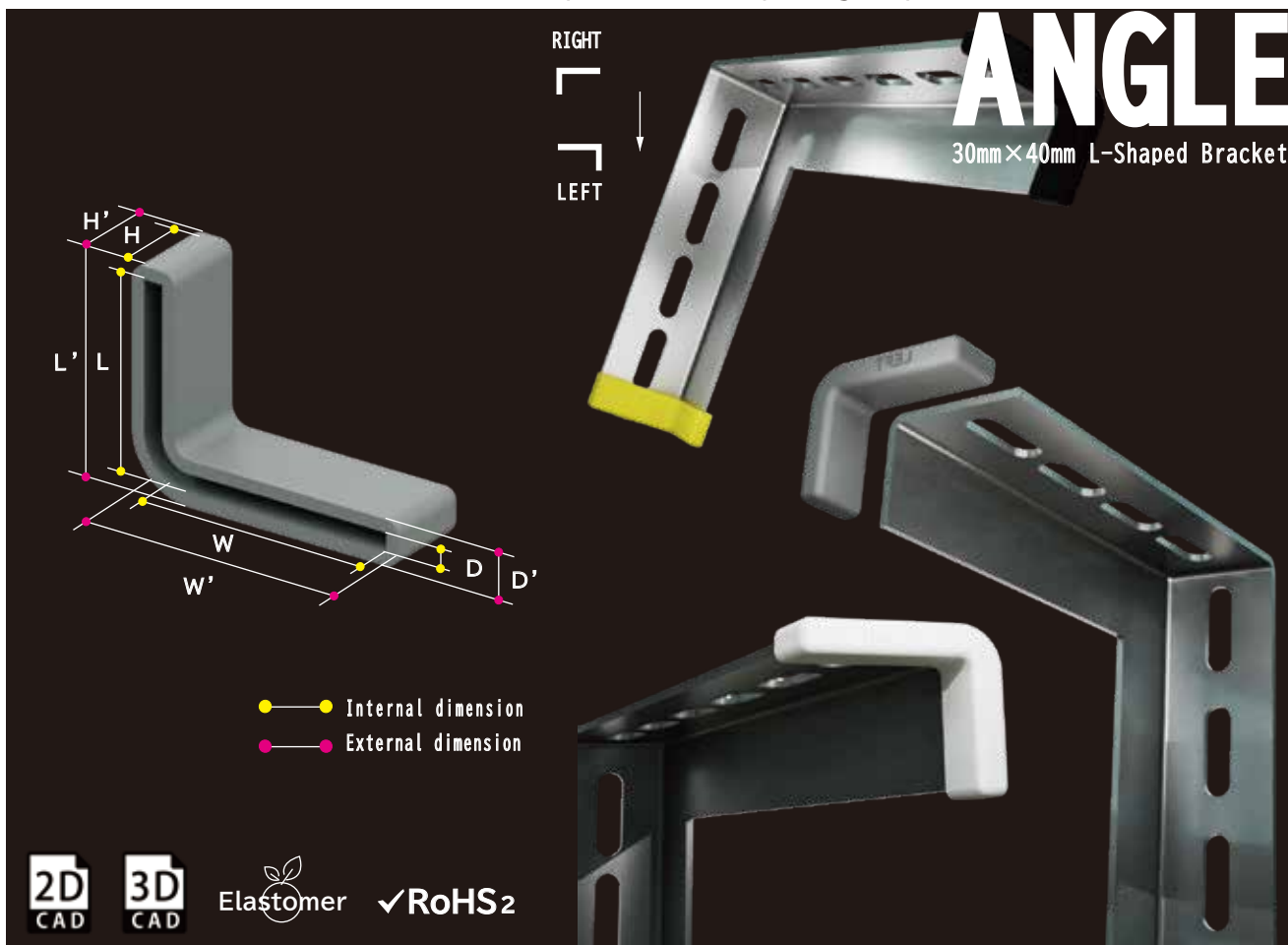
Ivory/Blue/Red/Brown applies for custom made.
It takes 4 to 7 days for delivery.

Size	[Ivory] Product No.	[Blue] Product No.	[Red] Product No.	[Brown] Product No.	Weight	Size W x D x H (W' x D' x H')	Shipping Unit Box	MSRP perPCS
F-L 4 0 E	FD30201-0040	FF30201-0040	FG30201-0040	FH30201-0040	5g	40x3x13 (44x7x15)	5000	
F-L 5 0 E	FD30201-0050	FF30201-0050	FG30201-0050	FH30201-0050	6g	50x4x13 (54x8x15)	5000	

EL CAP Series

EL L-Shaped Bracket Unequal Angle Cap

9401

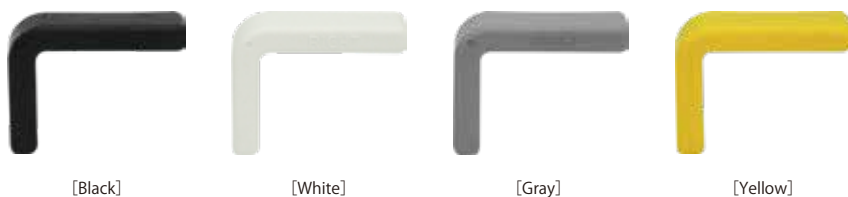


EL L-Shaped Bracket Unequal Angle Cap

Color Lineup

RIGHT

Recommended for outdoor use



[Black] [White] [Gray] [Yellow]

Size	[Black] Product No.	[White] Product No.	[Gray] Product No.	[Yellow] Product No.	Weight	Size W x L x D x H (W' x L' x D' x H')	Shipping Unit Box	MSRP perPCS
R40x30E	EA30201-4030	EB30201-4030	EC30201-4030	EE30201-4030	4g	40x30x3x13 (44x34x7x15)	5000	
L30x40E	EA30201-3040	EB30201-3040	EC30201-3040	EE30201-3040	4g	40x30x3x13 (44x34x7x15)	5000	

Custom made color

LEFT



[Ivory] [Blue] [Red] [Brown]

Ivory/Blue/Red/Brown applies for custom made.
It takes 4 to 7 days for delivery.

Size	[Ivory] Product No.	[Blue] Product No.	[Red] Product No.	[Brown] Product No.	Weight	Size W x L x D x H (W' x L' x D' x H')	Shipping Unit Box	MSRP perPCS
R40x30E	ED30201-4030	EF30201-4030	EG30201-4030	EH30201-4030	4g	40x30x3x13 (44x34x7x15)	5000	
L30x40E	ED30201-3040	EF30201-3040	EG30201-3040	EH30201-3040	4g	40x30x3x13 (44x34x7x15)	5000	

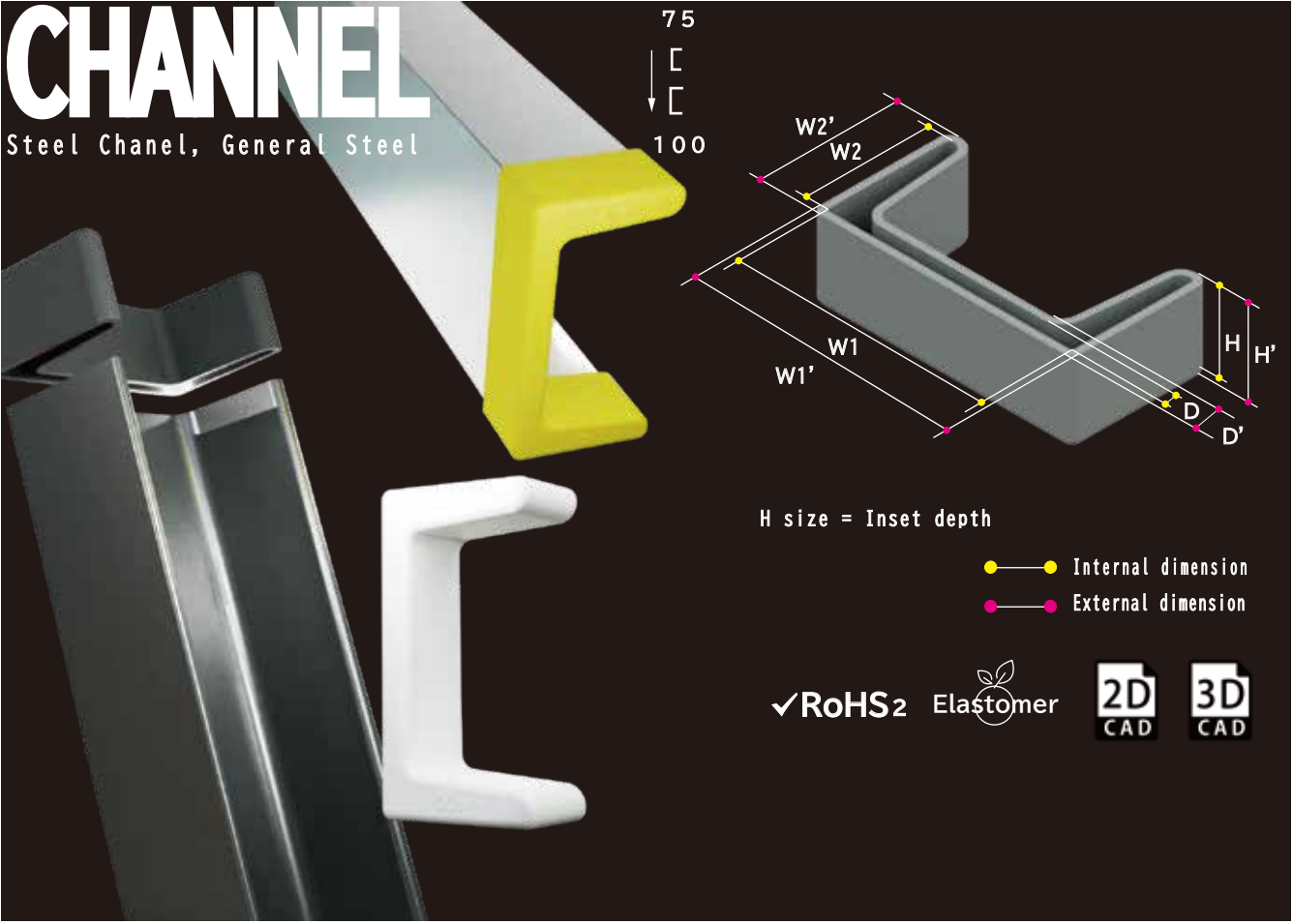
EL CAP Series

EL Channel Cap

9402

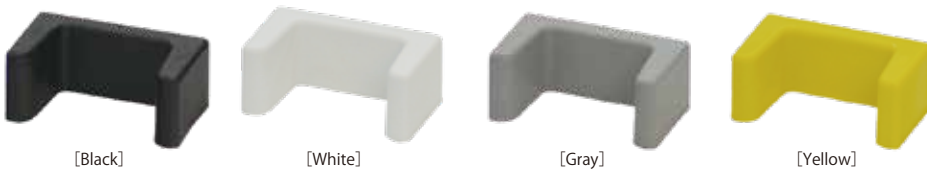
CHANNEL

Steel Channel, General Steel



Color Lineup

Recommended for outdoor use



Size	[Black] Product No.	[White] Product No.	[Gray] Product No.	[Yellow] Product No.	Weight	Size W1 x W2 x D x H (W1' x W2' x D' x H')	Shipping Unit Box	MSRP perPCS
70	EA30202-0075	EB30202-0075	EC30202-0075	EE30202-0075	30g	75x40x5x30 (81x46x11x33)	1000	
100	EA30202-0100	EB30202-0100	EC30202-0100	EE30202-0100	40g	100x50x5x30 (106x56x11x33)	800	

Custom made color



Ivory/Blue/Red/Brown applies for custom made. It takes 4 to 7 days for delivery.

Size	[Ivory] Product No.	[Blue] Product No.	[Red] Product No.	[Brown] Product No.	Weight	Size W1 x W2 x D x H (W1' x W2' x D' x H')	Shipping Unit Box	MSRP perPCS
70	ED30202-0075	EF30202-0075	EG30202-0075	EH30202-0075	30g	75x40x5x30 (81x46x11x33)	1000	
100	ED30202-0100	EF30202-0100	EG30202-0100	EH30202-0100	40g	100x50x5x30 (106x56x11x33)	800	

EL CAP Series

EL Equal-angle Steel Cap For General Angle

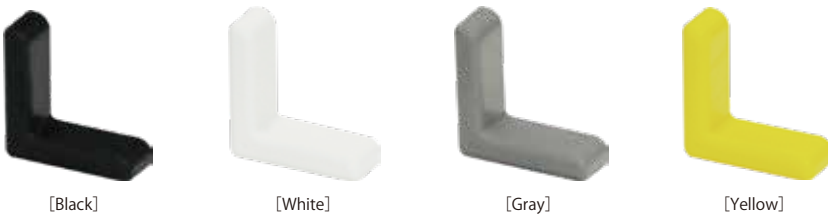
9403

EL Equal-angle Steel Cap For General Angle



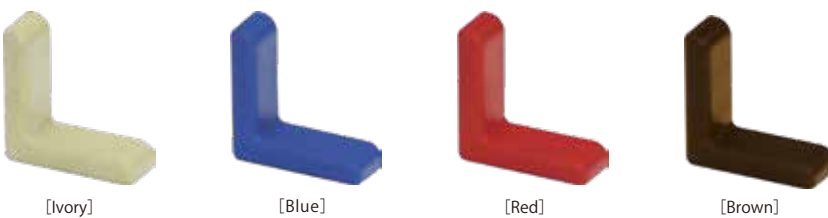
Color Lineup

Recommended for outdoor use



Size	[Black] Product No.	[White] Product No.	[Gray] Product No.	[Yellow] Product No.	Weight	Size W x D x H (W' x D' x H')	Shipping Unit Box	MSRP perPCS
L 2 0	EA30201-0020	EB30201-0020	EC30201-0020	EE30201-0020	3g	20x3x13 (24x7x15)	5000	
L 3 0	EA30201-0030	EB30201-0030	EC30201-0030	EE30201-0030	4g	30x3x13 (34x7x15)	3000	
L 4 0	EA30201-0040	EB30201-0040	EC30201-0040	EE30201-0040	5g	40x5x13 (44x9x15)	3000	
L 5 0	EA30201-0050	EB30201-0050	EC30201-0050	EE30201-0050	7g	50x6x13 (54x10x15)	3000	
L 6 5	EA30201-0065	EB30201-0065	EC30201-0065	EE30201-0065	28g	65x6x30 (71x12x33)	800	
L 7 5	EA30201-0075	EB30201-0075	EC30201-0075	EE30201-0075	32g	75x6x30 (81x12x33)	600	
L 9 0	EA30201-0090	EB30201-0090	EC30201-0090	EE30201-0090	38g	90x7x30 (96x13x33)	400	

Custom made color

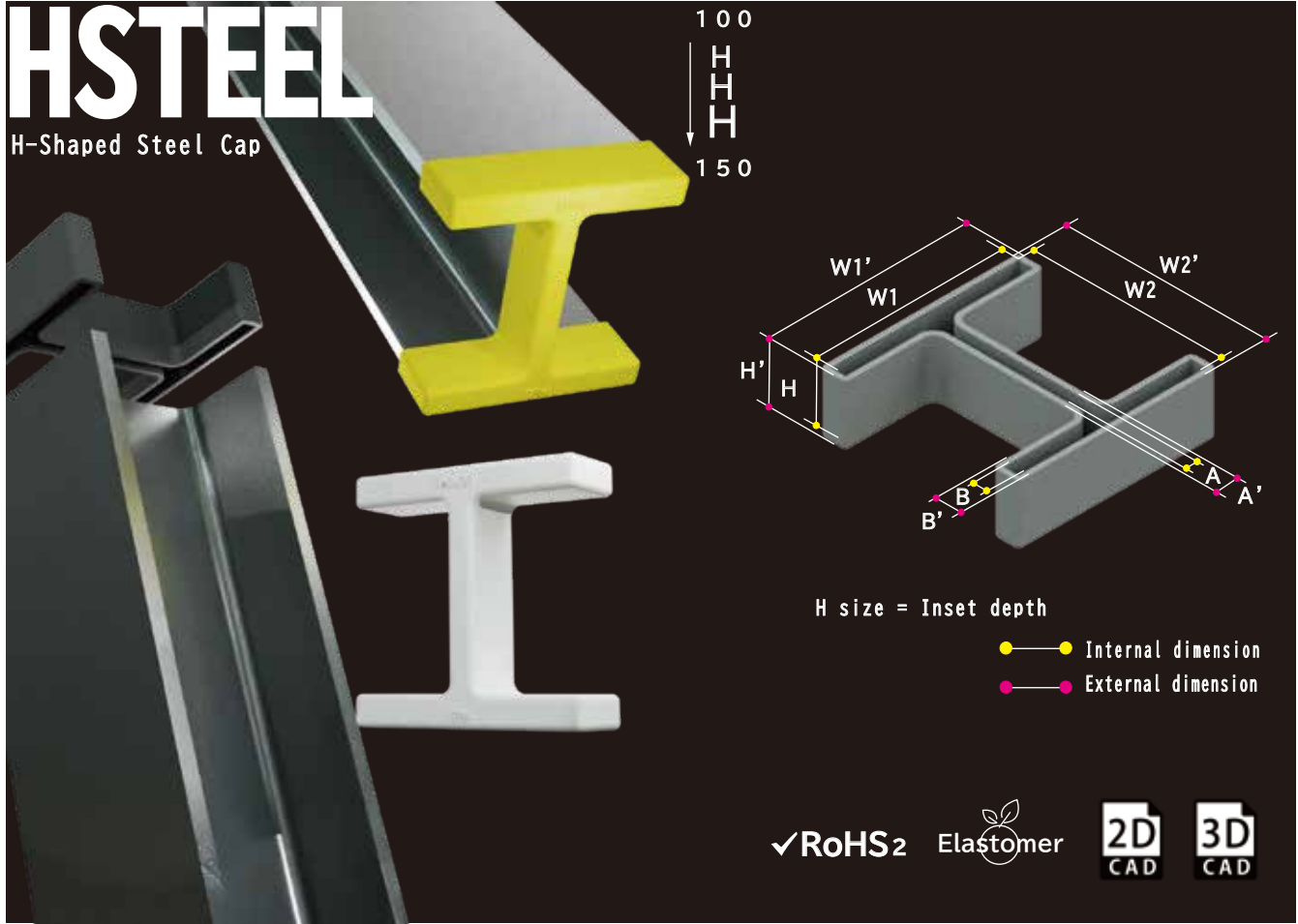


Ivory/Blue/Red/Brown applies for custom made.
It takes 4 to 7 days for delivery.

Size	[Ivory] Product No.	[Blue] Product No.	[Red] Product No.	[Brown] Product No.	Weight	Size W x D x H (W' x D' x H')	Shipping Unit Box	MSRP perPCS
L 2 0	ED30201-0020	EF30201-0020	EG30201-0020	EH30201-0020	3g	20x3x13 (24x7x15)	5000	
L 3 0	ED30201-0030	EF30201-0030	EG30201-0030	EH30201-0030	4g	30x3x13 (34x7x15)	3000	
L 4 0	ED30201-0040	EF30201-0040	EG30201-0040	EH30201-0040	5g	40x5x13 (44x9x15)	3000	
L 5 0	ED30201-0050	EF30201-0050	EG30201-0050	EH30201-0050	7g	50x6x13 (54x10x15)	3000	
L 6 5	ED30201-0065	EF30201-0065	EG30201-0065	EH30201-0065	28g	65x6x30 (71x12x33)	800	
L 7 5	ED30201-0075	EF30201-0075	EG30201-0075	EH30201-0075	32g	75x6x30 (81x12x33)	600	
L 9 0	ED30201-0090	EF30201-0090	EG30201-0090	EH30201-0090	38g	90x7x30 (96x13x33)	400	

HSTEEL

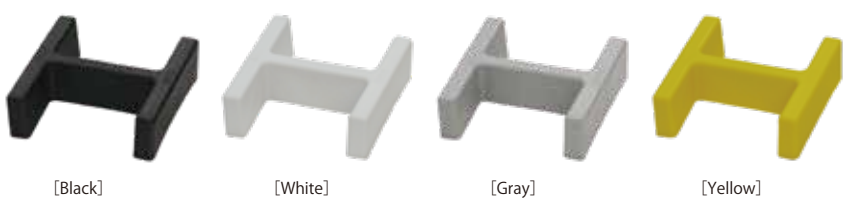
H-Shaped Steel Cap



✓RoHS2 Elastomer 2D CAD 3D CAD

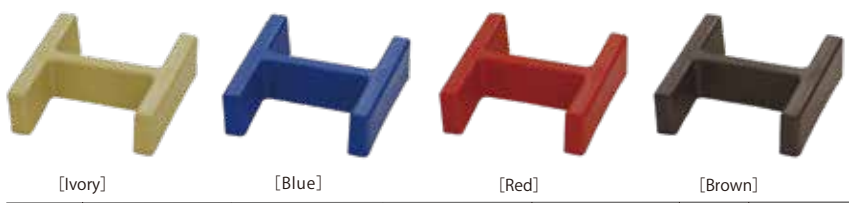
Color Lineup

Recommended for outdoor use



Size	[Black] Product No.	[White] Product No.	[Gray] Product No.	[Yellow] Product No.	Weight	Size W1 x W2 x A x B x H (W1' x W2' x A' x B' x H')	Shipping Unit Box	MSRP per PCS
H100	EA30215-0100	EB30215-0100	EC30215-0100	EE30215-0100	31g	100x100x6x8x30 (106x106x12x14x33)	300	
H125	EA30215-0125	EB30215-0125	EC30215-0125	EE30215-0125	83g	125x125x6.5x9x30(131x131x12.5x15x33)	300	
H150	EA30215-0150	EB30215-0150	EC30215-0150	EE30215-0150	97g	150x150x7x10x30 (156x156x13x16x33)	200	

Custom made color



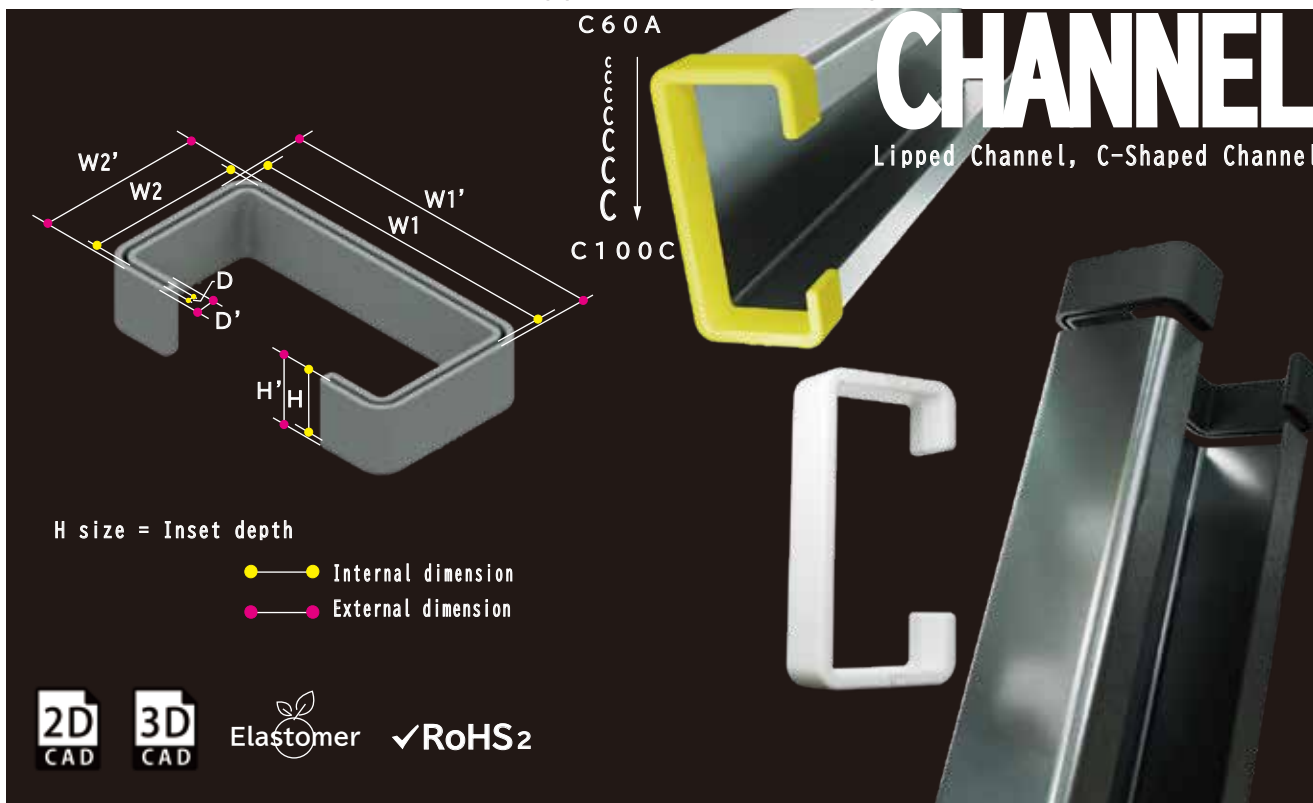
Ivory/Blue/Red/Brown applies for custom made. It takes 4 to 7 days for delivery.

Size	[Ivory] Product No.	[Blue] Product No.	[Red] Product No.	[Brown] Product No.	Weight	Size W1 x W2 x A x B x H (W1' x W2' x A' x B' x H')	Shipping Unit Box	MSRP per PCS
H100	ED30215-0100	EF30215-0100	EG30215-0100	EH30215-0100	31g	100x100x6x8x30 (106x106x12x14x33)	300	
H125	ED30215-0125	EF30215-0125	EG30215-0125	EH30215-0125	83g	125x125x6.5x9x30(131x131x12.5x15x33)	300	
H150	ED30215-0150	EF30215-0150	EG30215-0150	EH30215-0150	97g	150x150x7x10x30 (156x156x13x16x33)	200	

EL CAP Series

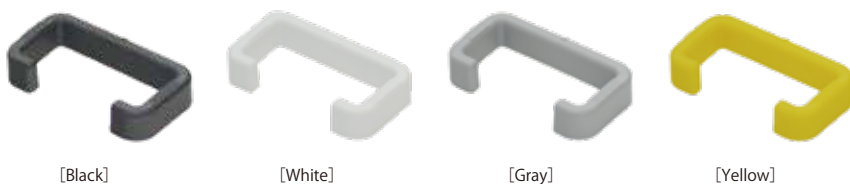
EL Lipped Channel Steel Cap

9405



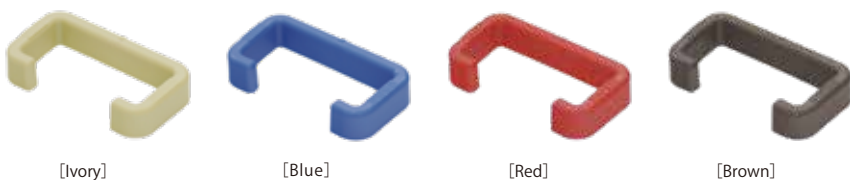
Color Lineup

Recommended for outdoor use



Size	[Black] Product No.	[White] Product No.	[Gray] Product No.	[Yellow] Product No.	Weight	Size W1 x W2 x D x H (W1' x W2' x D' x H')	Shipping Unit Box	MSRP perPCS
C60A	EA30224-C60A	EB30224-C60A	EC30224-C60A	EE30224-C60A	7g	60x30x1.6x10 (64x34x5.6x12)	800	
C60B	EA30224-C60B	EB30224-C60B	EC30224-C60B	EE30224-C60B	7g	60x30x2.3x10 (64x34x6.3x12)	800	
C75A	EA30224-C75A	EB30224-C75A	EC30224-C75A	EE30224-C75A	14g	75x45x1.6x15 (79x49x5.6x17)	800	
C75B	EA30224-C75B	EB30224-C75B	EC30224-C75B	EE30224-C75B	14g	75x45x2.3x15 (79x49x6.3x17)	800	
C100A	EA30224-100A	EB30224-100A	EC30224-100A	EE30224-100A	22g	100x50x1.6x20 (104x54x5.6x22)	600	
C100B	EA30224-100B	EB30224-100B	EC30224-100B	EE30224-100B	23g	100x50x2.3x20 (104x54x6.3x22)	600	
C100C	EA30224-100C	EB30224-100C	EC30224-100C	EE30224-100C	33g	100x50x3.2x20 (104x54x9.2x22)	600	

Custom made color



Ivory/Blue/Red/Brown applies for custom made.

It takes 4 to 7 days for delivery.

Size	[Ivory] Product No.	[Blue] Product No.	[Red] Product No.	[Brown] Product No.	Weight	Size W1 x W2 x D x H (W1' x W2' x D' x H')	Shipping Unit Box	MSRP perPCS
C60A	ED30224-C60A	EF30224-C60A	EG30224-C60A	EH30224-C60A	7g	60x30x1.6x10 (64x34x5.6x12)	800	
C60B	ED30224-C60B	EF30224-C60B	EG30224-C60B	EH30224-C60B	7g	60x30x2.3x10 (64x34x6.3x12)	800	
C75A	ED30224-C75A	EF30224-C75A	EG30224-C75A	EH30224-C75A	14g	75x45x1.6x15 (79x49x5.6x17)	800	
C75B	ED30224-C75B	EF30224-C75B	EG30224-C75B	EH30224-C75B	14g	75x45x2.3x15 (79x49x6.3x17)	800	
C100A	ED30224-100A	EF30224-100A	EG30224-100A	EH30224-100A	22g	100x50x1.6x20 (104x54x5.6x22)	600	
C100B	ED30224-100B	EF30224-100B	EG30224-100B	EH30224-100B	23g	100x50x2.3x20 (104x54x6.3x22)	600	
C100C	ED30224-100C	EF30224-100C	EG30224-100C	EH30224-100C	33g	100x50x3.2x20 (104x54x9.2x22)	600	

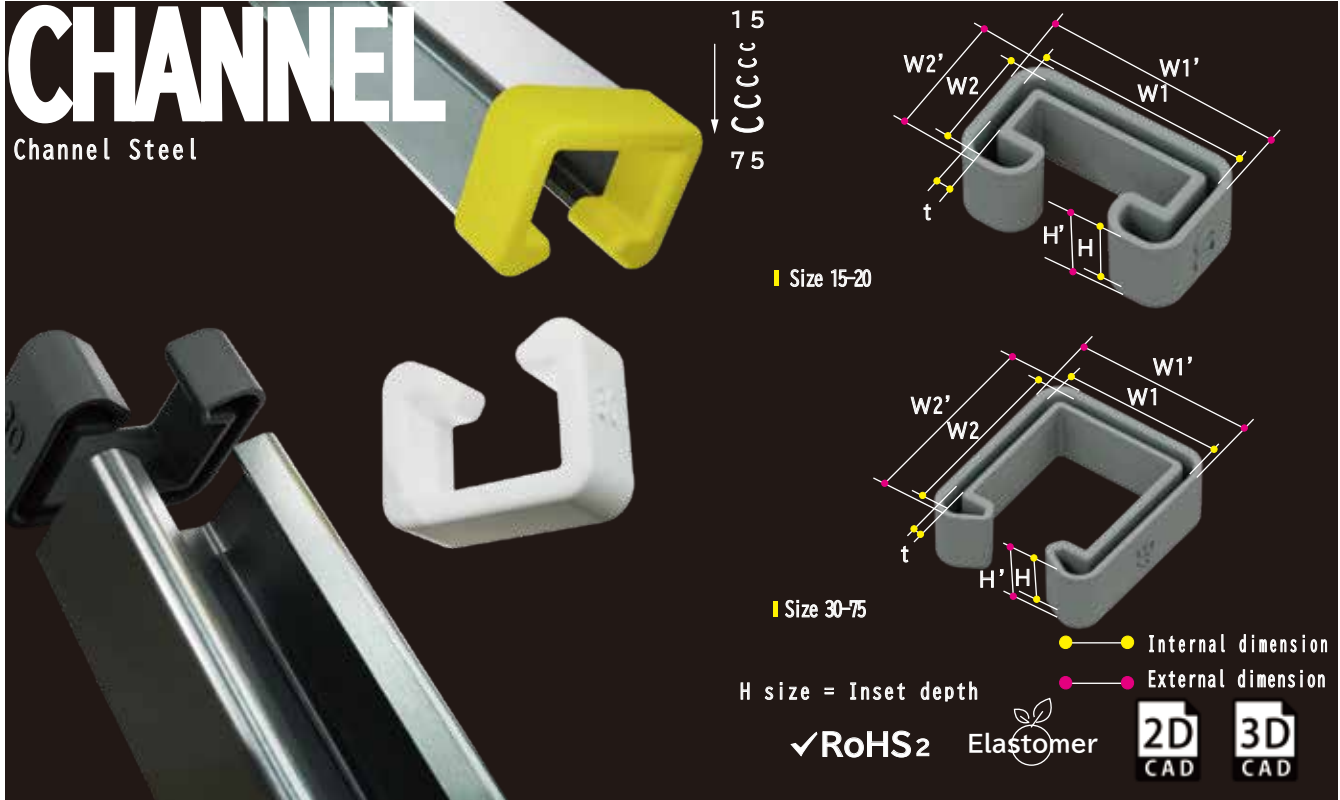
EL CAP Series

EL Ducter[®] Rail Cap

9416

CHANNEL

Channel Steel



Size 15-20

Size 30-75

H size = Inset depth

✓RoHS2

Elastomer

2D CAD

3D CAD

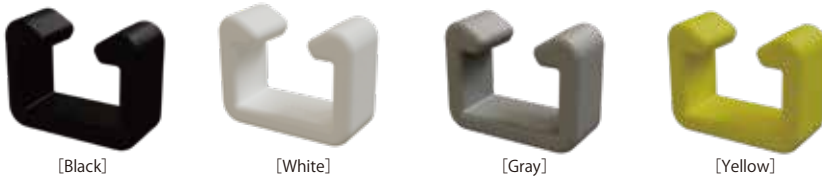
[Manufacturers]

Ducter is trademarked by Negros Denko.

Manufacturer	Product name
Kanafuji	High Ducter
NEGUROSU DENKO	Ducter Channel
MARUI	Channel Rail
MINAMI ELECTRIC	Duct hanger
Panasonic Electric Works	E hanger
YASHIMA DENKO	Rail ace type D

Color Lineup

Recommended for outdoor use



[Black]

[White]

[Gray]

[Yellow]

Size	Color				Weight	Size W1 x W2 x H x t (W1' x W2' x H')	Shipping Unit Box	MSRP perPCS
	[Black] Product No.	[White] Product No.	[Gray] Product No.	[Yellow] Product No.				
15	EA30205-0015	EB30205-0015	EC30205-0015	EE30205-0015	5g	40x15x15x1.6 (44x19x17)	2400	
20	EA30205-0020	EB30205-0020	EC30205-0020	EE30205-0020	6g	40x20x15x1.6 (44x24x17)	2400	
30	EA30205-0030	EB30205-0030	EC30205-0030	EE30205-0030	7g	40x30x15x2.0 (44x34x17)	2400	
45	EA30205-0045	EB30205-0045	EC30205-0045	EE30205-0045	9g	40x45x15x2.0 (44x49x17)	2400	
75	EA30205-0075	EB30205-0075	EC30205-0075	EE30205-0075	13g	40x75x15x2.0 (44x79x17)	2000	

Custom made color



[Ivory]

[Blue]

[Red]

[Brown]

Ivory/Blue/Red/Brown applies for custom made.
It takes 4 to 7 days for delivery.

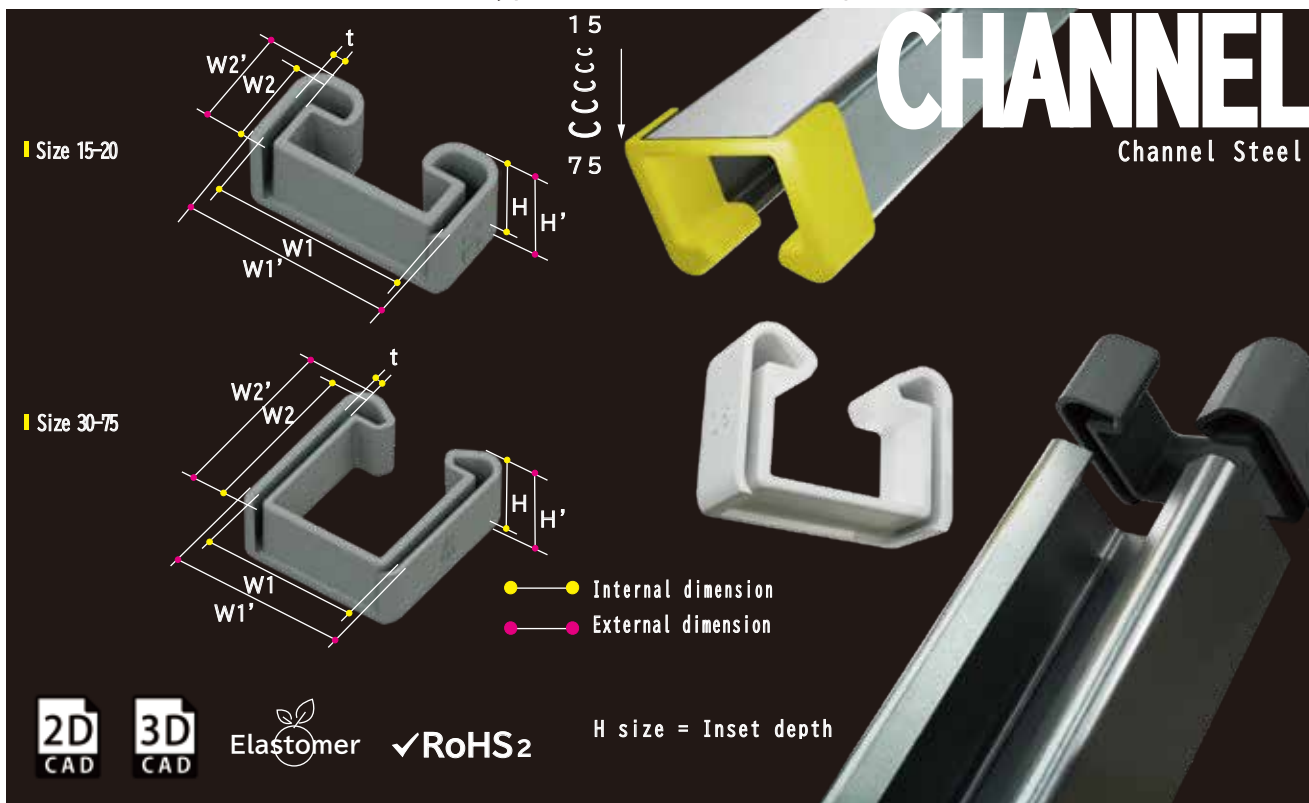
Size	Color				Weight	Size W1 x W2 x H x t (W1' x W2' x H')	Shipping Unit Box	MSRP perPCS
	[Ivory] Product No.	[Blue] Product No.	[Red] Product No.	[Brown] Product No.				
15	EA30205-0015	EB30205-0015	EC30205-0015	EE30205-0015	5g	40x15x15x1.6 (44x19x17)	2400	
20	EA30205-0020	EB30205-0020	EC30205-0020	EE30205-0020	6g	40x20x15x1.6 (44x24x17)	2400	
30	EA30205-0030	EB30205-0030	EC30205-0030	EE30205-0030	7g	40x30x15x2.0 (44x34x17)	2400	
45	EA30205-0045	EB30205-0045	EC30205-0045	EE30205-0045	9g	40x45x15x2.0 (44x49x17)	2400	
75	EA30205-0075	EB30205-0075	EC30205-0075	EE30205-0075	13g	40x75x15x2.0 (44x79x17)	2000	

EL CAP Series

Type BC EL Ducter Rail Cap

9417

Type BC EL Ducter Rail Cap



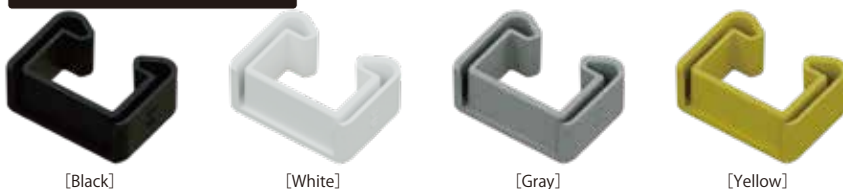
[Manufacturers]

Ducter is trademarked by Negros Denko.

Manufacturer	Product name
Kanafuji	High Ducter
NEGUROSU DENKO	Ducter Channel
MARUI	Channel Rail
MINAMI ELECTRIC	Duct hanger
Panasonic Electric Works	E hanger
YASHIMA DENKO	Rail ace type D

Color Lineup

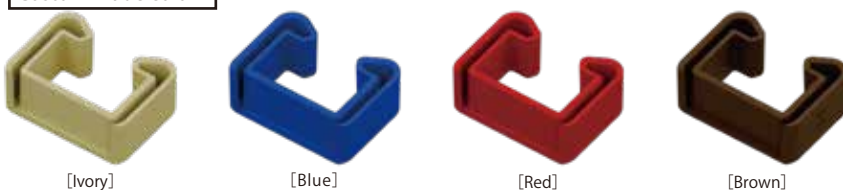
Recommended for outdoor use



The EL BC Type Duct Rail Cap is a post-installation type product without a back part. Please note that it is different from EL Ducter Rail Cap.

Size	Color				Weight	Size W1 x W2 x H x t (W1' x W2' x H')	Shipping Unit Box	MSRP perPCS
	[Black]	[White]	[Gray]	[Yellow]				
15	EA30205-B015	EB30205-B015	EC30205-B015	EE30205-B015	g	40x15x15x1.6 (44x19x17)	2400	
20	EA30205-B020	EB30205-B020	EC30205-B020	EE30205-B020	g	40x20x15x1.6 (44x24x17)	2400	
30	EA30205-B030	EB30205-B030	EC30205-B030	EE30205-B030	g	40x30x15x2.0 (44x34x17)	2400	
45	EA30205-B045	EB30205-B045	EC30205-B045	EE30205-B045	g	40x45x15x2.0 (44x49x17)	2400	
75	EA30205-B075	EB30205-B075	EC30205-B075	EE30205-B075	g	40x75x15x2.0 (44x79x17)	2000	

Custom made color



Ivory/Blue/Red/Brown applies for custom made. It takes 4 to 7 days for delivery.

Size	Color				Weight	Size W1 x W2 x H x t (W1' x W2' x H')	Shipping Unit Box	MSRP perPCS
	[Ivory]	[Blue]	[Red]	[Brown]				
15	EA30205-0015	EB30205-0015	EC30205-0015	EE30205-0015	g	40x15x15x1.6 (44x19x17)	2400	
20	EA30205-0020	EB30205-0020	EC30205-0020	EE30205-0020	g	40x20x15x1.6 (44x24x17)	2400	
30	EA30205-0030	EB30205-0030	EC30205-0030	EE30205-0030	g	40x30x15x2.0 (44x34x17)	2400	
45	EA30205-0045	EB30205-0045	EC30205-0045	EE30205-0045	g	40x45x15x2.0 (44x49x17)	2400	
75	EA30205-0075	EB30205-0075	EC30205-0075	EE30205-0075	g	40x75x15x2.0 (44x79x17)	2000	

EL CAP Series HSTEEL

EL H-Shaped Steel Under Cap

9407

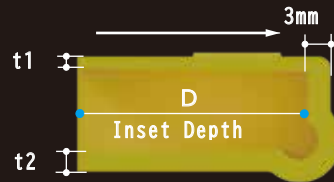
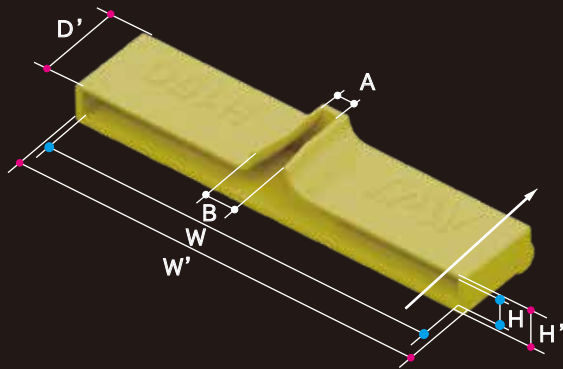
H-Shaped Steel Cap

100
H
H
H
H
200



Elastomer

✓RoHS2

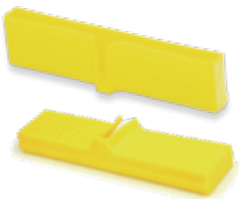


[Cross section]

- Internal dimension
- External dimension
- Others

D. 1658681

Color Lineup



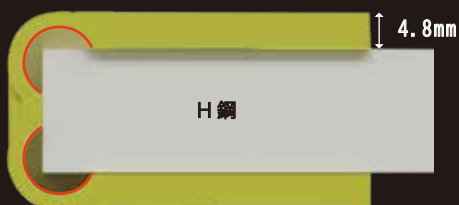
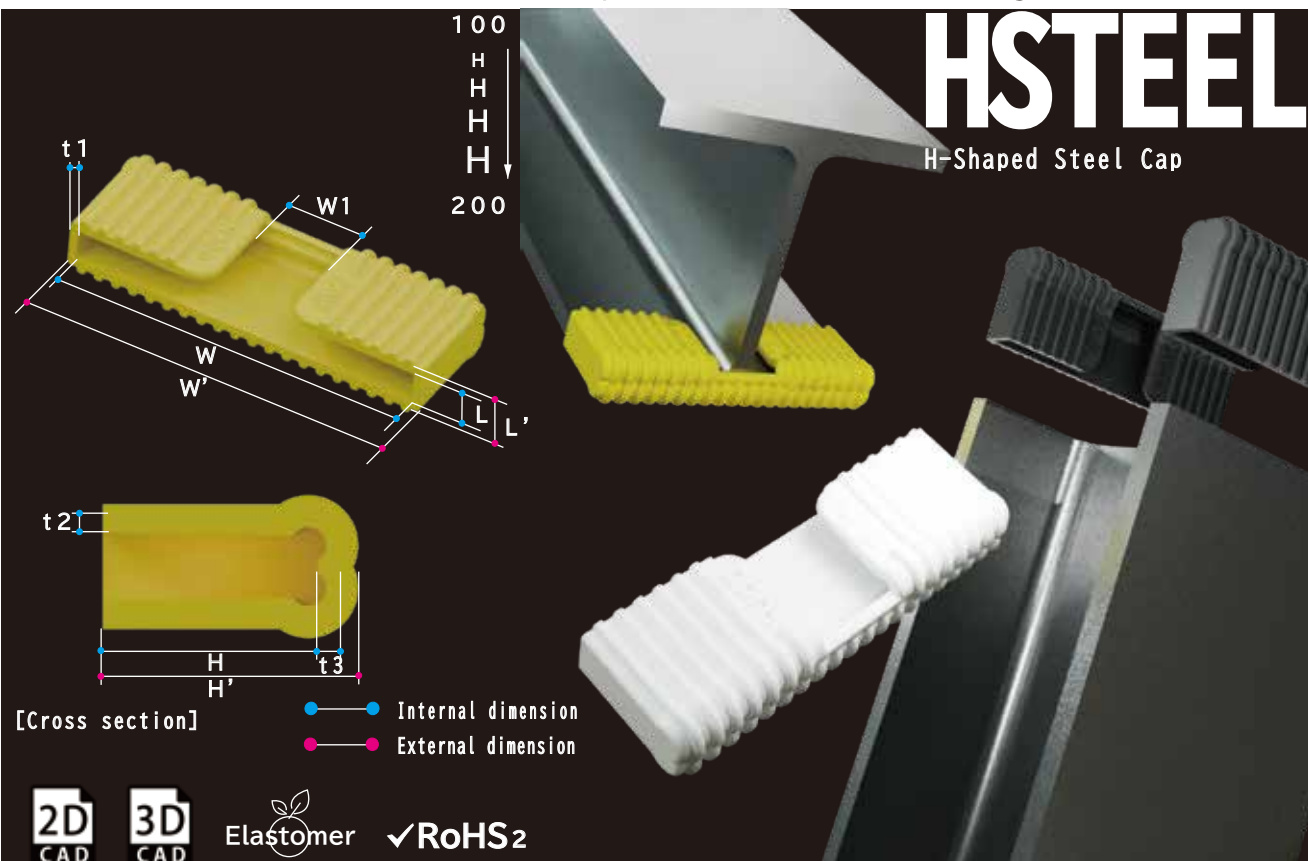
[Yellow]

Size	[Yellow] Product No.	Weight	Size				Shipping Unit	MSRP perPCS		
			W x H x D (W' x H' x D')		A	B			t1	t2
H100	EE30500-0100	20g	100 x 8 x 30	(106 x 14.5 x 34.5)	6	10.5	2	3	300	
H125	EE30500-0125	24g	125 x 9 x 30	(131 x 15.5 x 34.5)	6.5	11	2	3	300	
H150	EE30500-0150	29g	150 x 10 x 30	(156 x 16.5 x 34.5)	7	7	2	3	300	
H200	EE30500-0200	47g	200 x 12 x 30	(207 x 19.5 x 34.5)	8	8	2.5	3.5	300	

EL CAP Series

EL H-Shaped Steel Under Cover for Segment

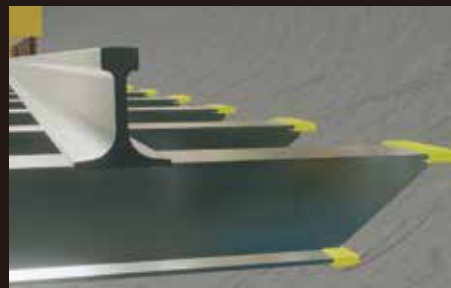
9412



[Cross section]

Stable shape

It shaped of a curve in order to be used for both at the top and bottom of H-shaped steel. The curves prevent to shift and remove the cover, and damage to the cover. The thickness has been increased to 4.8 mm to be tougher.

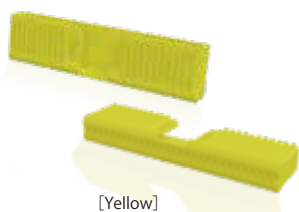


Protection from scratch on segment

It protects from scratch on segment by attached both side of the top and bottom of the H-steel.

D. 1658681

Color Lineup



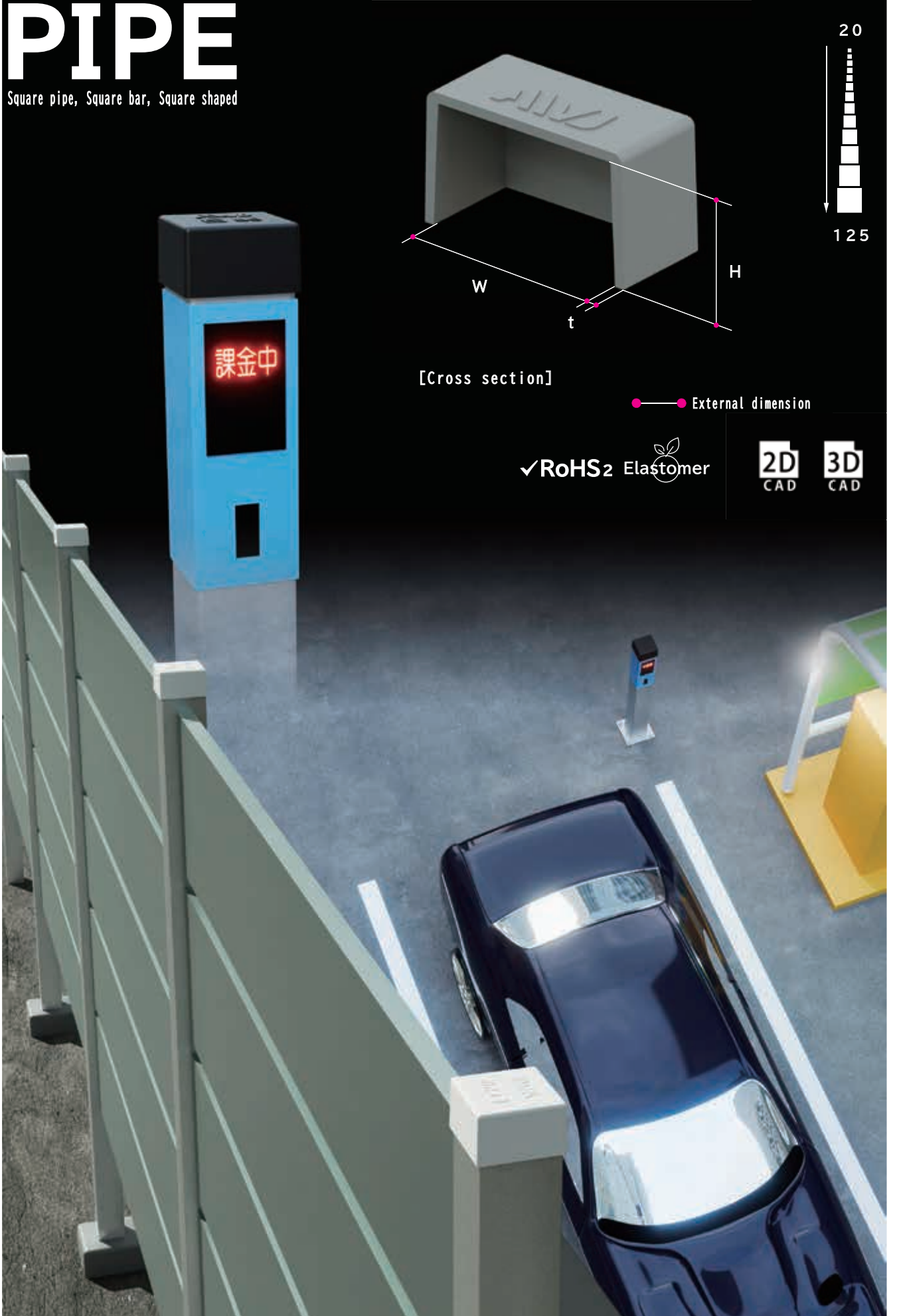
[Yellow]

Size	[Yellow] Product No.	Weight	Size										Shipping Unit Box	MSRP perPCS
			W	L	H	W'	L'	H'	t1	t2	t3	W1		
H100	EE30500-2100	22g	100	9.5	30	106	16.9	34.2	3	2.5	3.3	23	600	
H125	EE30500-2125	28g	125	10.5	30	131	17.9	34.2	3	2.5	3	24	400	
H150	EE30500-2150	34g	150	11.5	30	156	18.9	34.2	3	2.5	3	25	400	
H200	EE30500-2200	54g	200	14	30	207	23.6	35.3	3.5	3	3	38	400	

PIPE

Square pipe, Square bar, Square shaped

EL Outer Cap for Square Pipe



[Cross section]

External dimension

✓RoHS2 Elastomer

2D CAD

3D CAD

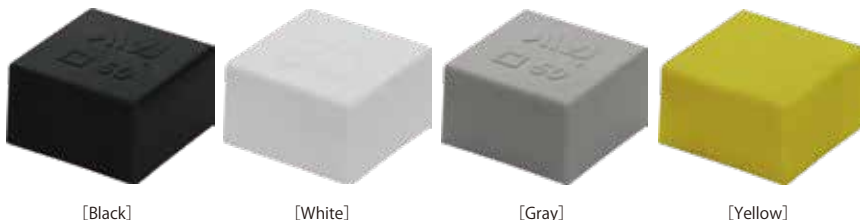
EL CAP Series

EL Outer Cap for Square Pipe

9406

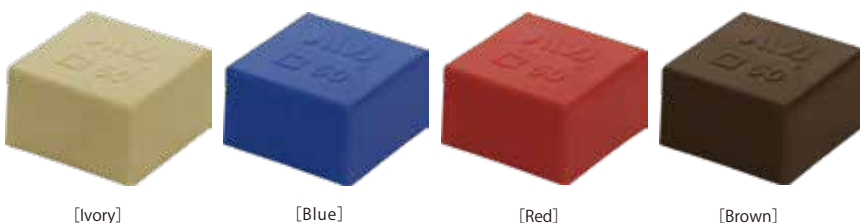
Color Lineup

Recommended for outdoor use



Size	[Black] Product No.	[White] Product No.	[Gray] Product No.	[Yellow] Product No.	Weight	Size W x H x t	Shipping Unit Box	MSRP perPCS
2 0	EOA30216-0020	EOB30216-0020	EOC30216-0020	EOE30216-0020	5g	□ 20 x 15 x 2	1000	
2 5	EOA30216-0025	EOB30216-0025	EOC30216-0025	EOE30216-0025	8g	□ 25 x 20 x 2	1000	
3 0	EOA30216-0030	EOB30216-0030	EOC30216-0030	EOE30216-0030	9g	□ 30 x 20 x 2	1000	
3 5	EOA30216-0035	EOB30216-0035	EOC30216-0035	EOE30216-0035	10g	□ 35 x 20 x 2	1000	
4 0	EOA30216-0040	EOB30216-0040	EOC30216-0040	EOE30216-0040	18g	□ 40 x 25 x 2.5	800	
4 5	EOA30216-0045	EOB30216-0045	EOC30216-0045	EOE30216-0045	20g	□ 45 x 25 x 2.5	600	
5 0	EOA30216-0050	EOB30216-0050	EOC30216-0050	EOE30216-0050	25g	□ 50 x 30 x 2.5	500	
6 0	EOA30216-0060	EOB30216-0060	EOC30216-0060	EOE30216-0060	36g	□ 60 x 40 x 2.5	400	
7 5	EOA30216-0075	EOB30216-0075	EOC30216-0075	EOE30216-0075	65g	□ 75 x 50 x 3	300	
8 0	EOA30216-0080	EOB30216-0080	EOC30216-0080	EOE30216-0080	80g	□ 80 x 60 x 3	300	
9 0	EOA30216-0090	EOB30216-0090	EOC30216-0090	EOE30216-0090	95g	□ 90 x 60 x 3	300	
1 0 0	EOA30216-0100	EOB30216-0100	EOC30216-0100	EOE30216-0100	103g	□ 100 x 60 x 3	240	
1 2 5	EOA30216-0125	EOB30216-0125	EOC30216-0125	EOE30216-0125	164g	□ 125 x 70 x 3	180	

Custom made color



Ivory/Blue/Red/Brown applies for custom made.
It takes 4 to 7 days for delivery.

Size	[Ivory] Product No.	[Blue] Product No.	[Red] Product No.	[Brown] Product No.	Weight	Size W x H x t	Shipping Unit Box	MSRP perPCS
2 0	EOD30216-0020	EOF30216-0020	EOG30216-0020	EOH30216-0020	5g	□ 20 x 15 x 2	1000	
2 5	EOD30216-0025	EOF30216-0025	EOG30216-0025	EOH30216-0025	8g	□ 25 x 20 x 2	1000	
3 0	EOD30216-0030	EOF30216-0030	EOG30216-0030	EOH30216-0030	9g	□ 30 x 20 x 2	1000	
3 5	EOD30216-0035	EOF30216-0035	EOG30216-0035	EOH30216-0035	10g	□ 35 x 20 x 2	1000	
4 0	EOD30216-0040	EOF30216-0040	EOG30216-0040	EOH30216-0040	18g	□ 40 x 25 x 2.5	800	
4 5	EOD30216-0045	EOF30216-0045	EOG30216-0045	EOH30216-0045	20g	□ 45 x 25 x 2.5	600	
5 0	EOD30216-0050	EOF30216-0050	EOG30216-0050	EOH30216-0050	25g	□ 50 x 30 x 2.5	500	
6 0	EOD30216-0060	EOF30216-0060	EOG30216-0060	EOH30216-0060	36g	□ 60 x 40 x 2.5	400	
7 5	EOD30216-0075	EOF30216-0075	EOG30216-0075	EOH30216-0075	65g	□ 75 x 50 x 3	300	
8 0	EOD30216-0080	EOF30216-0080	EOG30216-0080	EOH30216-0080	80g	□ 80 x 60 x 3	300	
9 0	EOD30216-0090	EOF30216-0090	EOG30216-0090	EOH30216-0090	95g	□ 90 x 60 x 3	300	
1 0 0	EOD30216-0100	EOF30216-0100	EOG30216-0100	EOH30216-0100	103g	□ 100 x 60 x 3	240	
1 2 5	EOD30216-0125	EOF30216-0125	EOG30216-0125	EOH30216-0125	164g	□ 125 x 70 x 3	180	

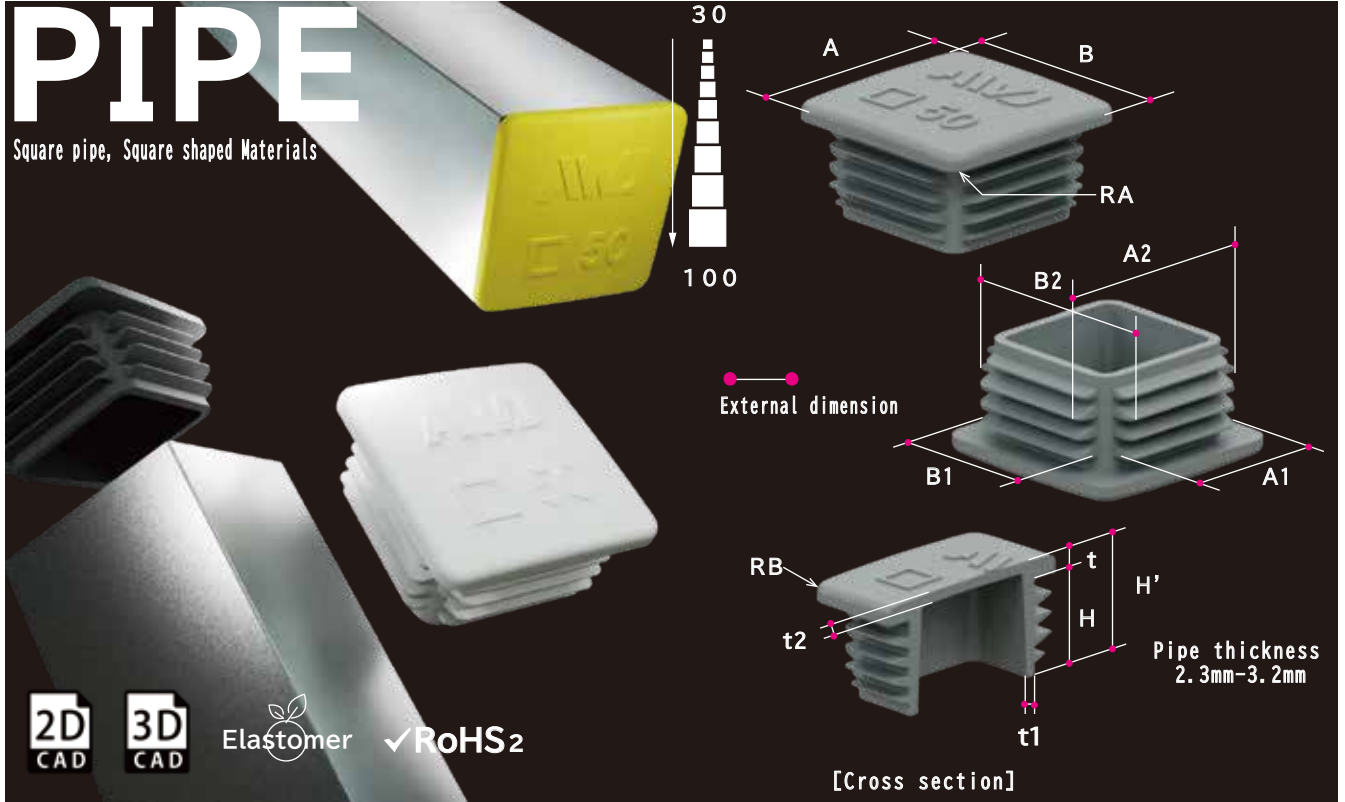
EL CAP Series

EL Inner Cap for Square Pipe

9410

PIPE

Square pipe, Square shaped Materials



Color Lineup

Recommended for outdoor use



Size	[Black]	[White]	[Gray]	[Yellow]	Weight	Size												Shipping Unit Box	MSRP perPCS
	Product No.	Product No.	Product No.	Product No.		□AB	RA	RB	t	H	H'	t1	t2	A1	□A2 B2	B1			
30	EIA30216-0030	EIB30216-0030	EIC30216-0030	EIE30216-0030	7g	30	3	2	4	22	26	2	25	14	27.4	14	1600		
40	EIA30216-0040	EIB30216-0040	EIC30216-0040	EIE30216-0040	13g	40	3	2	5	22	27	2.5	25	23	37.4	23	800		
45	EIA30216-0045	EIB30216-0045	EIC30216-0045	EIE30216-0045	16g	45	3	2	5	22	27	2.5	25	27	42.4	27	600		
50	EIA30216-0050	EIB30216-0050	EIC30216-0050	EIE30216-0050	19g	50	4.5	2	5	22	27	2.5	25	32	47.4	32	600		
60	EIA30216-0060	EIB30216-0060	EIC30216-0060	EIE30216-0060	25g	60	4.5	2	5	22	27	2.5	25	42	57.4	42	400		
75	EIA30216-0075	EIB30216-0075	EIC30216-0075	EIE30216-0075	41g	75	4.5	2	6	22	28	3	3	42	72.4	55	300		
80	EIA30216-0080	EIB30216-0080	EIC30216-0080	EIE30216-0080	43g	80	4.5	2	6	22	28	3	3	42	77.4	60	300		
90	EIA30216-0090	EIB30216-0090	EIC30216-0090	EIE30216-0090	53g	90	4.5	2	6	22	28	3	3	42	87.4	70	300		
100	EIA30216-0100	EIB30216-0100	EIC30216-0100	EIE30216-0100	59g	100	4.5	2	6	22	28	3	3	42	97.4	80	300		

Custom made color



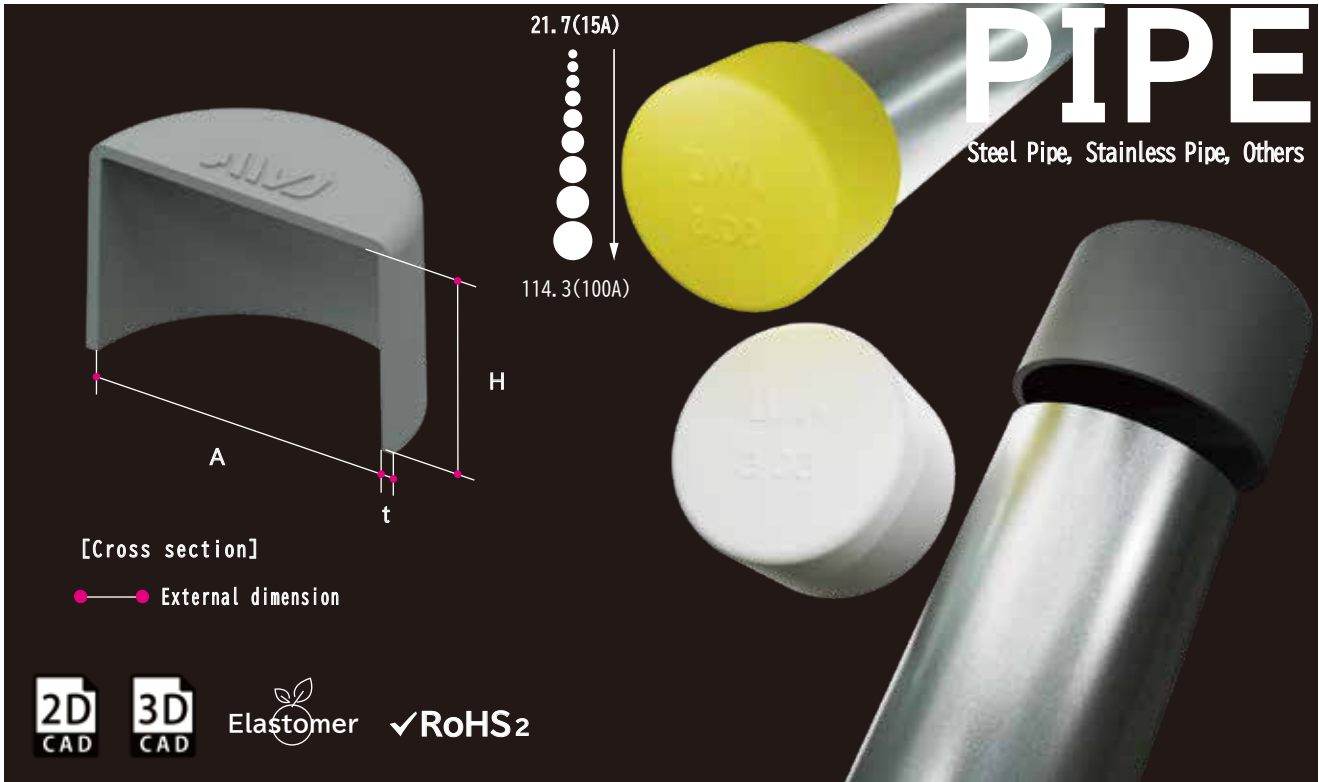
Ivory/Blue/Red/Brown applies for custom made.
It takes 4 to 7 days for delivery.

Size	[Ivory]	[Blue]	[Red]	[Brown]	Weight	Size												Shipping Unit Box	MSRP perPCS
	Product No.	Product No.	Product No.	Product No.		□AB	RA	RB	t	H	H'	t1	t2	A1	□A2 B2	B1			
30	EID30216-0030	EIF30216-0030	EIG30216-0030	EIH30216-0030	7g	30	3	2	4	22	26	2	25	14	27.4	14	1600		
40	EID30216-0040	EIF30216-0040	EIG30216-0040	EIH30216-0040	13g	40	3	2	5	22	27	2.5	25	23	37.4	23	800		
45	EID30216-0045	EIF30216-0045	EIG30216-0045	EIH30216-0045	16g	45	3	2	5	22	27	2.5	25	27	42.4	27	600		
50	EID30216-0050	EIF30216-0050	EIG30216-0050	EIH30216-0050	19g	50	4.5	2	5	22	27	2.5	25	32	47.4	32	600		
60	EID30216-0060	EIF30216-0060	EIG30216-0060	EIH30216-0060	25g	60	4.5	2	5	22	27	2.5	25	42	57.4	42	400		
75	EID30216-0075	EIF30216-0075	EIG30216-0075	EIH30216-0075	41g	75	4.5	2	6	22	28	3	3	42	72.4	55	300		
80	EID30216-0080	EIF30216-0080	EIG30216-0080	EIH30216-0080	43g	80	4.5	2	6	22	28	3	3	42	77.4	60	300		
90	EID30216-0090	EIF30216-0090	EIG30216-0090	EIH30216-0090	53g	90	4.5	2	6	22	28	3	3	42	87.4	70	300		
100	EID30216-0100	EIF30216-0100	EIG30216-0100	EIH30216-0100	59g	100	4.5	2	6	22	28	3	3	42	97.4	80	300		

EL CAP Series

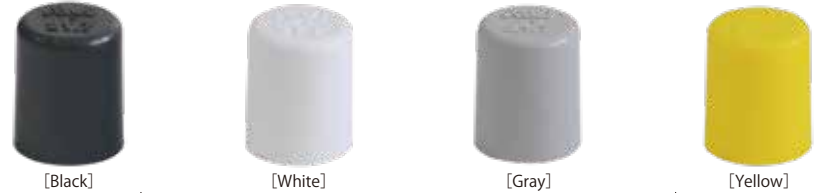
EL Outer Cap for Round Pipe

9408



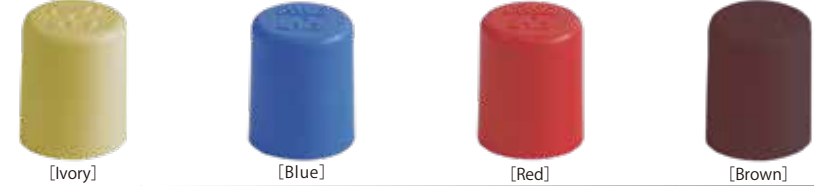
Color Lineup

Recommended for outdoor use



Size	[Black] Product No.	[White] Product No.	[Gray] Product No.	[Yellow] Product No.	Weight	Size A x H x T	Shipping Unit Box	MSRP per PCS
21.7(15A)	EOA30214-0217	E0B30214-0217	E0C30214-0217	E0E30214-0217	5g	21.7x30x2	2000	
27.2(20A)	EOA30214-0272	E0B30214-0272	E0C30214-0272	E0E30214-0272	7g	27.2x30x2	1800	
34.0(25A)	EOA30214-0340	E0B30214-0340	E0C30214-0340	E0E30214-0340	9g	34.0x35x2	1200	
42.7(32A)	EOA30214-0427	E0B30214-0427	E0C30214-0427	E0E30214-0427	17g	42.7x40x2.5	600	
48.6(40A)	EOA30214-0486	E0B30214-0486	E0C30214-0486	E0E30214-0486	20g	48.6x40x2.5	600	
60.5(50A)	EOA30214-0605	E0B30214-0605	E0C30214-0605	E0E30214-0605	26g	60.5x50x2.5	500	
76.3(65A)	EOA30214-0763	E0B30214-0763	E0C30214-0763	E0E30225-0060	52g	76.3x50x3	400	
89.1(80A)	EOA30214-0891	E0B30214-0891	E0C30214-0891	E0E30214-0891	70g	89.1x60x3	300	
114.3(100A)	EOA30214-1143	E0B30214-1143	E0C30214-1143	E0E30214-1143	93g	114.3x60x3	250	

Custom made color



Ivory/Blue/Red/Brown applies for custom made. It takes 4 to 7 days for delivery.

Size	[Ivory] Product No.	[Blue] Product No.	[Red] Product No.	[Brown] Product No.	Weight	Size A x H x T	Shipping Unit Box	MSRP per PCS
21.7(15A)	E0D30214-0217	E0F30214-0217	E0G30214-0217	E0H30214-0217	5g	21.7x30x2	2000	
27.2(20A)	E0D30214-0272	E0F30214-0272	E0G30214-0272	E0H30214-0272	7g	27.2x30x2	1800	
34.0(25A)	E0D30214-0340	E0F30214-0340	E0G30214-0340	E0H30214-0340	9g	34.0x35x2	1200	
42.7(32A)	E0D30214-0427	E0F30214-0427	E0G30214-0427	E0H30214-0427	17g	42.7x40x2.5	600	
48.6(40A)	E0D30214-0486	E0F30214-0486	E0G30214-0486	E0H30214-0486	20g	48.6x40x2.5	600	
60.5(50A)	E0D30214-0605	E0F30214-0605	E0G30214-0605	E0H30214-0605	26g	60.5x50x2.5	500	
76.3(65A)	E0D30214-0763	E0F30214-0763	E0G30214-0763	E0H30225-0060	52g	76.3x50x3	400	
89.1(80A)	E0D30214-0891	E0F30214-0891	E0G30214-0891	E0H30214-0891	70g	89.1x60x3	300	
114.3(100A)	E0D30214-1143	E0F30214-1143	E0G30214-1143	E0H30214-1143	93g	114.3x60x3	250	

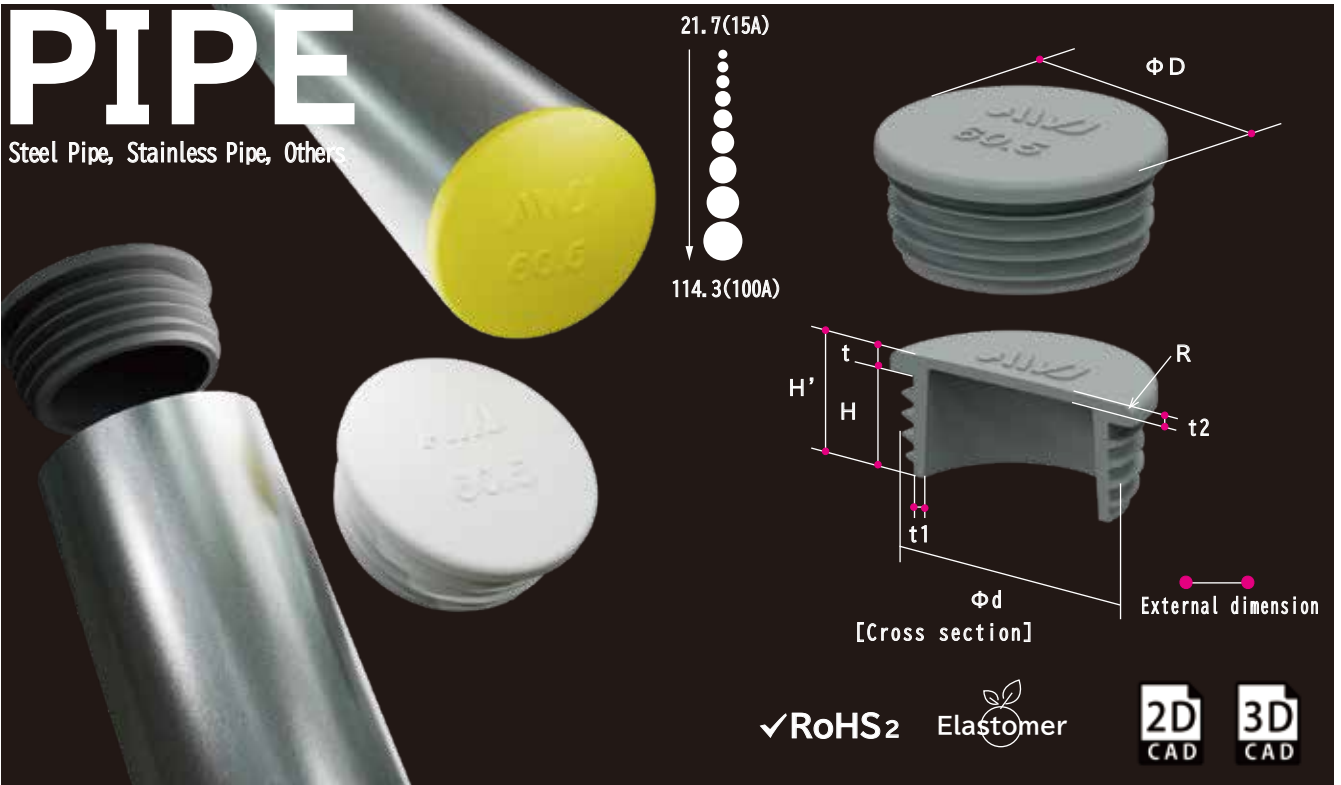
EL CAP Series

EL Inner Cap for Round Pipe

9411

PIPE

Steel Pipe, Stainless Pipe, Others



Color Lineup

Recommended for outdoor use



[Black]

[White]

[Gray]

[Yellow]

Size	Color Lineup				Weight	Size										Shipping Unit Box	MSRP perPCS
	[Black] Product No.	[White] Product No.	[Gray] Product No.	[Yellow] Product No.		ϕD	R	t	H	H'	t1	t2	ϕd	Pipe THK			
21.7(15A)	EIA30214-0015	EIB30214-0015	EIC30214-0015	EIE30214-0015	3g	21.7	2	4	22	26	2	2.5	18.1	2.8	2000		
27.2(20A)	EIA30214-0020	EIB30214-0020	EIC30214-0020	EIE30214-0020	6g	27.2	2	5	22	27	2.5	2.5	23.6	2.8	1800		
34.0(25A)	EIA30214-0025	EIB30214-0025	EIC30214-0025	EIE30214-0025	9g	34	2	5	22	27	2.5	2.5	29.6	3.2	1200		
42.7(32A)	EIA30214-0032	EIB30214-0032	EIC30214-0032	EIE30214-0032	13g	42.7	2	5	22	27	2.5	2.5	37.7	3.5	600		
48.6(40A)	EIA30214-0040	EIB30214-0040	EIC30214-0040	EIE30214-0040	15g	48.6	2	5	22	27	2.5	2.5	43.6	3.5	600		
60.5(50A)	EIA30214-0050	EIB30214-0050	EIC30214-0050	EIE30214-0050	21g	60.5	2	5	22	27	2.5	2.5	54.9	3.8	500		
76.3(65A)	EIA30214-0065	EIB30214-0065	EIC30214-0065	EIE30214-0065	36g	76.3	2	6	22	28	3	3	70.9	4.2	400		
89.1(80A)	EIA30214-0080	EIB30214-0080	EIC30214-0080	EIE30214-0080	45g	89.1	2	6	22	28	3	3	83.7	4.2	400		
114.3(100A)	EIA30214-0100	EIB30214-0100	EIC30214-0100	EIE30214-0100	63g	114.3	2	6	22	28	3	3	108.3	4.5	400		

Custom made color



[Ivory]

[Blue]

[Red]

[Brown]

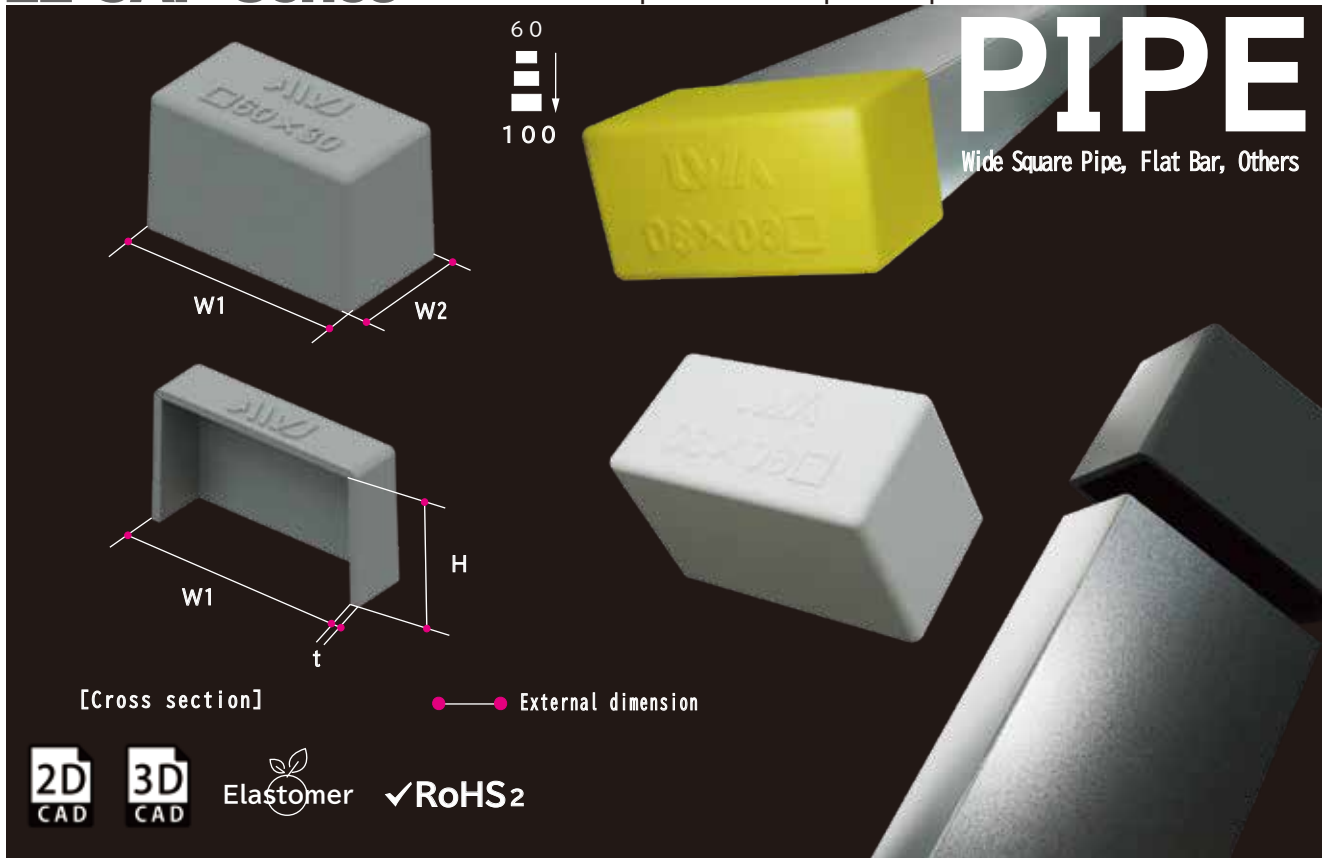
Ivory/Blue/Red/Brown applies for custom made.
It takes 4 to 7 days for delivery.

Size	Custom made color				Weight	Size										Shipping Unit Box	MSRP perPCS
	[Ivory] Product No.	[Blue] Product No.	[Red] Product No.	[Brown] Product No.		ϕD	R	t	H	H'	t1	t2	ϕd	Pipe THK			
21.7(15A)	EID30214-0015	EIF30214-0015	EIG30214-0015	EIH30214-0015	3g	21.7	2	4	22	26	2	2.5	18.1	2.8	2000		
27.2(20A)	EID30214-0020	EIF30214-0020	EIG30214-0020	EIH30214-0020	6g	27.2	2	5	22	27	2.5	2.5	23.6	2.8	1800		
34.0(25A)	EID30214-0025	EIF30214-0025	EIG30214-0025	EIH30214-0025	9g	34	2	5	22	27	2.5	2.5	29.6	3.2	1200		
42.7(32A)	EID30214-0032	EIF30214-0032	EIG30214-0032	EIH30214-0032	13g	42.7	2	5	22	27	2.5	2.5	37.7	3.5	600		
48.6(40A)	EID30214-0040	EIF30214-0040	EIG30214-0040	EIH30214-0040	15g	48.6	2	5	22	27	2.5	2.5	43.6	3.5	600		
60.5(50A)	EID30214-0050	EIF30214-0050	EIG30214-0050	EIH30214-0050	21g	60.5	2	5	22	27	2.5	2.5	54.9	3.8	500		
76.3(65A)	EID30214-0065	EIF30214-0065	EIG30214-0065	EIH30214-0065	36g	76.3	2	6	22	28	3	3	70.9	4.2	400		
89.1(80A)	EID30214-0080	EIF30214-0080	EIG30214-0080	EIH30214-0080	45g	89.1	2	6	22	28	3	3	83.7	4.2	400		
114.3(100A)	EID30214-0100	EIF30214-0100	EIG30214-0100	EIH30214-0100	63g	114.3	2	6	22	28	3	3	108.3	4.5	400		

EL CAP Series

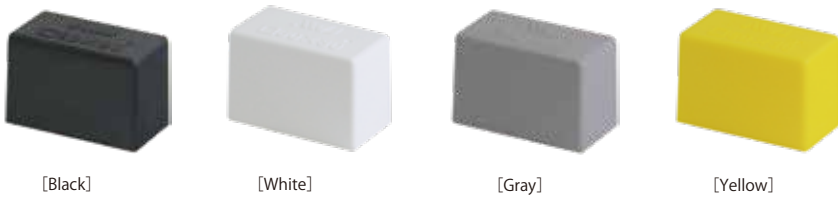
EL Outer Cap for Wide Square Pipe

9409



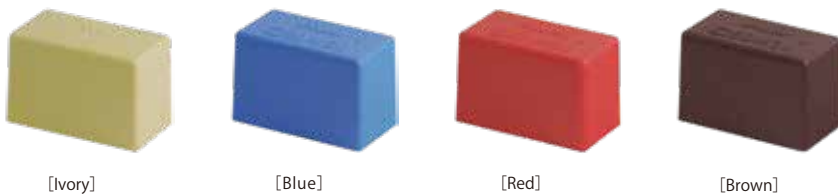
Color Lineup

Recommended for outdoor use



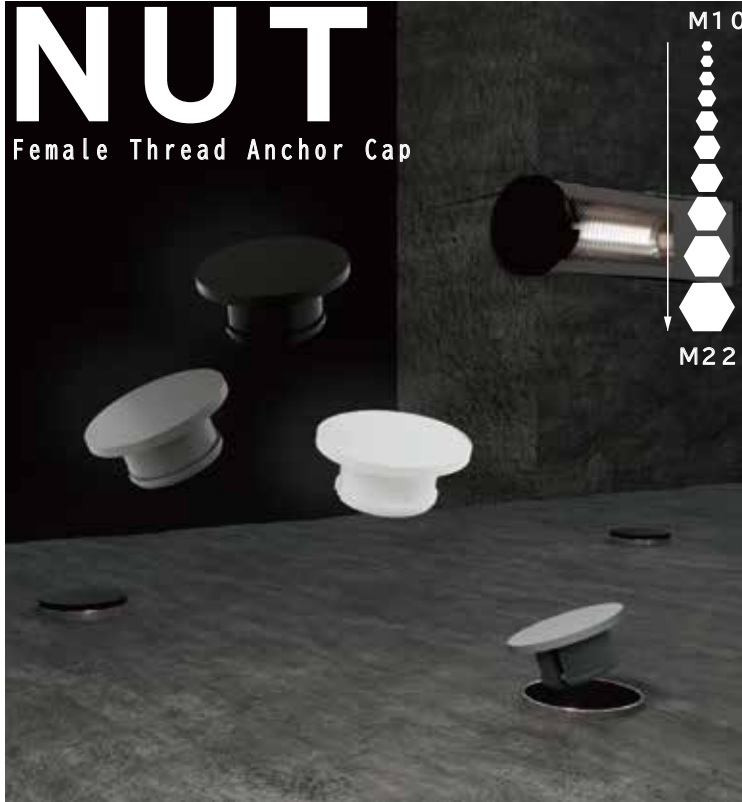
Size	[Black] Product No.	[White] Product No.	[Gray] Product No.	[Yellow] Product No.	Weight	Size W1 x W2 x H x t	Shipping Unit Box	MSRP perPCS
60	EOA30225-0060	EOB30225-0060	EOC30225-0060	EOE30225-0060	22g	60x30x40x2.5	500	
75	EOA30225-0075	EOB30225-0075	EOC30225-0075	EOE30225-0075	45g	75x45x50x3	400	
100	EOA30225-0100	EOB30225-0100	EOC30225-0100	EOE30225-0100	66g	100x50x60x3	300	

Custom made color

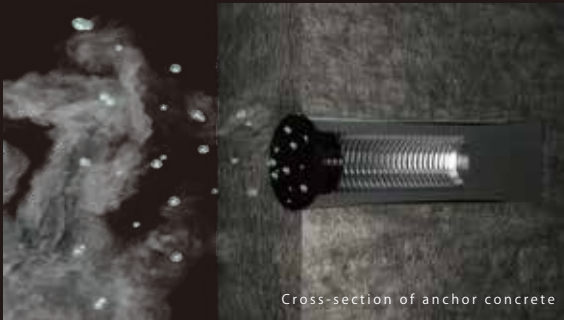


Ivory/Blue/Red/Brown applies for custom made.
It takes 4 to 7 days for delivery.

Size	[Ivory] Product No.	[Blue] Product No.	[Red] Product No.	[Brown] Product No.	Weight	Size W1 x W2 x H x t	Shipping Unit Box	MSRP perPCS
60	EOA30225-0060	EOB30225-0060	EOC30225-0060	EOE30225-0060	22g	60x30x40x2.5	500	
75	EOA30225-0075	EOB30225-0075	EOC30225-0075	EOE30225-0075	45g	75x45x50x3	400	
100	EOA30225-0100	EOB30225-0100	EOC30225-0100	EOE30225-0100	66g	100x50x60x3	300	



✓RoHS2



Features

By capping into anchors or unnecessary screw holes, it is protected from rain, dust, and dirt which cause rust. Flat surface also provides a cosmetic effect.



Example

Attached to anchors driven into the segment.

[Colors Lineup]



Manufacturers recommended

UNIKA
Unicon anchor/ Cut anchor

okabe
Multi anchor/ Strong anchor

SANKO TECHNO
Grip anchor CT/ Grip anchor HGA

HITL JAPAN
HKD anchor/ PH curving anchor

KFC
Head in anchor/ Cut anchor

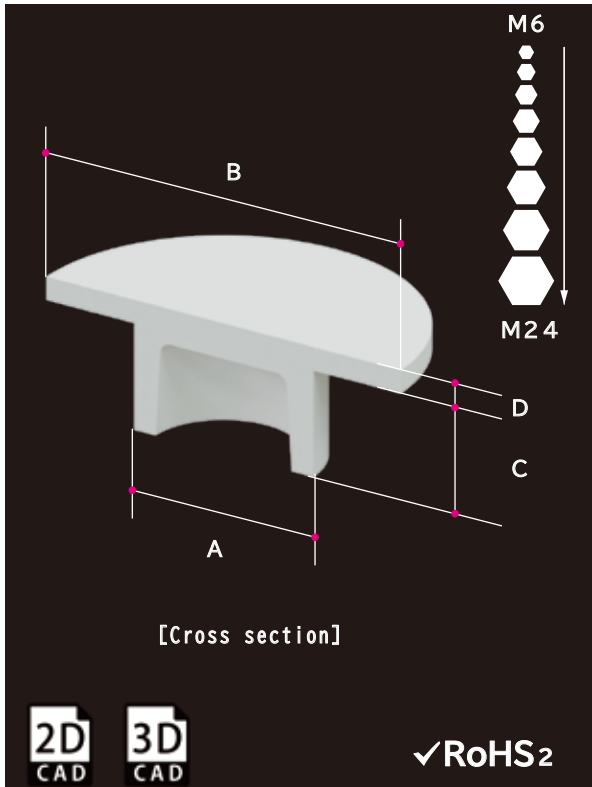
Size	[Black] Product No.	[White] Product No.	[Gray] Product No.	Weight	Dimensions A x D x H	Shipping Unit Box	MSRP perPCS
M10	A30501-0010	B30501-0010	C30501-0010	1g	14 x 9 x 5	5000	
M12	A30501-0012	B30501-0012	C30501-0012	1g	17 x 11 x 6	5000	
M16	A30501-0016	B30501-0016	C30501-0016	2g	21 x 15 x 8	4000	
M20	A30501-0020	B30501-0020	C30501-0020	3g	25 x 19 x 9	3200	
M22	A30501-0022	B30501-0022	C30501-0022	6g	28 x 21 x 10	2400	
W3/8	A30501-0308	B30501-0308	C30501-0308	9g	14 x 9 x 5	5000	
W1/2	A30501-0102	B30501-0102	C30501-0102	15g	17 x 11 x 6	5000	
W5/8	A30501-0508	B30501-0508	C30501-0508	19g	21 x 15 x 8	4000	
W3/4	A30501-0304	B30501-0304	C30501-0304	2g	25 x 19 x 9	3200	
W7/8	A30501-0708	B30501-0708	C30501-0708	3g	28 x 21 x 10	2400	

PE CAP Series

Inner Cap for Cap Bolt

9701

Inner Cap for Cap Bolt



By capping into the hexagonal hole, it is protected from rain, dust, and dirt which cause rust. Flat surface also provides a cosmetic effect.

By capping, it is no longer necessary to clean the screw holes. It improves work efficiency.

[Color line-up]



Size	[Black] Product No.	[White] Product No.	Weight	Dimensions AxBxCxD	Shipping Unit Box	MSRP perPCS
M6	A30505-0006	B30505-0006	1g	5.1x10x2.5x1	4000	
M8	A30505-0008	B30505-0008	1g	6.1x13x3.5x1	4000	
M10	A30505-0010	B30505-0010	1g	8.1x16x4.5x1	3200	
M12	A30505-0012	B30505-0012	1g	10.1x18x5.5x1	3200	
M16	A30505-0016	B30505-0016	2g	14.1x24x6x1	2000	
M20	A30505-0020	B30505-0020	2g	17.1x30x7x1	1600	
M22	A30505-0022	B30505-0022	2g	17.1x33x7x1	1200	
M24	A30505-0024	B30505-0024	2g	19.1x36x8x1	1200	

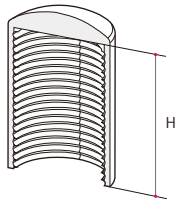
PVC CAP Series PVC Cap Series

Studs bolt Cap, Single Nut Cap, Anchor Nut Cap

Studs Bolt Cap



[Black] [White] [Gray] [Ivory]



[Cross section]

Red letters have been model changed to elastomer. PVC applied by custom made.

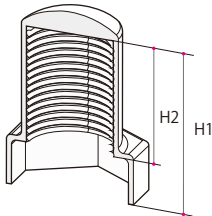
9500

[Black]			[White]		[Gray]		[Ivory]		MSRP per PCS
Product No.	Size	H	Product No.	Size	Product No.	Size	Product No.	Size	
A30203-0004	M4	20	B30203-0004	M4	C30203-0004	M4	D30203-0004	M4	
A30203-0005	M5	20	B30203-0005	M5	C30203-0005	M5	D30203-0005	M5	
A30203-0006	M6	20	B30203-0006	M6	C30203-0006	M6	D30203-0006	M6	
A30203-0008	M8	25	B30203-0008	M8	C30203-0008	M8	D30203-0008	M8	
A30203-0010	M1 0	30	B30203-0010	M1 0	C30203-0010	M1 0	D30203-0010	M1 0	
A30203-0012	M1 2	30	B30203-0012	M1 2	C30203-0012	M1 2	D30203-0012	M1 2	
A30203-0016	M1 6	40	B30203-0016	M1 6	C30203-0016	M1 6	D30203-0016	M1 6	
A30203-0020	M2 0	50	B30203-0020	M2 0	C30203-0020	M2 0	D30203-0020	M2 0	
A30203-0022	M2 2	50	B30203-0022	M2 2	C30203-0022	M2 2	D30203-0022	M2 2	
A30203-0024	M2 4	60	B30203-0024	M2 4	C30203-0024	M2 4	D30203-0024	M2 4	
A30203-0030	M3 0	60	B30203-0030	M3 0	C30203-0030	M3 0	D30203-0030	M3 0	
A30203-0036	M3 6	60	B30203-0036	M3 6	C30203-0036	M3 6	D30203-0036	M3 6	
A30203-0042	M4 2	60			C30203-0042	M4 2			
A30203-0048	M4 8	60			C30203-0048	M4 8			
A30203-0056	M5 6	60			C30203-0056	M5 6			
A30203-0060	M6 0	60			C30203-0060	M6 0			
A30203-0516	W5/1 6	25	B30203-0516	W5/1 6	C30203-0516	W5/1 6	D30203-0516	W5/1 6	
A30203-0308	W3/8	30	B30203-0308	W3/8	C30203-0308	W3/8	D30203-0308	W3/8	
A30203-0102	W1/2	30	B30203-0102	W1/2	C30203-0102	W1/2	D30203-0102	W1/2	
A30203-0508	W5/8	40	B30203-0508	W5/8	C30203-0508	W5/8	D30203-0508	W5/8	
A30203-0304	W3/4	50	B30203-0304	W3/4	C30203-0304	W3/4	D30203-0304	W3/4	

Single Nut Cap



[Black] [White] [Gray] [Ivory]



[Cross section]

Red letters have been model changed to elastomer. PVC applied by custom made.

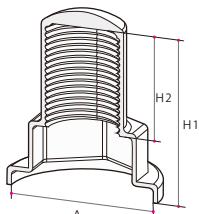
9501

[Black]			[White]		[Gray]		[Ivory]		MSRP per PCS
Product No.	Size	H1xH2	Product No.	Size	Product No.	Size	Product No.	Size	
A30204-0006	M6	20x15	B30204-0006	M6	C30204-0006	M6	D30204-0006	M6	
A30204-0008	M8	22x15	B30204-0008	M8	C30204-0008	M8	D30204-0008	M8	
A30204-0010	M1 0	23x15	B30204-0010	M1 0	C30204-0010	M1 0	D30204-0010	M1 0	
A30204-0012	M1 2	30x20	B30204-0012	M1 2	C30204-0012	M1 2	D30204-0012	M1 2	
A30204-0016	M1 6	38x25	B30204-0016	M1 6	C30204-0016	M1 6	D30204-0016	M1 6	
A30204-0020	M2 0	46x30	B30204-0020	M2 0	C30204-0020	M2 0	D30204-0020	M2 0	
A30204-0022	M2 2	58x40	B30204-0022	M2 2	C30204-0022	M2 2	D30204-0022	M2 2	
A30204-0024	M2 4	69x50	B30204-0024	M2 4	C30204-0024	M2 4	D30204-0024	M2 4	
A30204-0030	M3 0	84x60	B30204-0030	M3 0	C30204-0030	M3 0	D30204-0030	M3 0	
A30204-0036	M3 6	109x80	B30204-0036	M3 6	C30204-0036	M3 6	D30204-0036	M3 6	
A30204-0042	M4 2	124x90			C30204-0042	M4 2			
A30204-0048	M4 8	128x90			C30204-0048	M4 8			
A30204-0516	W5/1 6	22x15	B30204-0516	W5/1 6	C30204-0516	W5/1 6	D30204-0516	W5/1 6	
A30204-0308	W3/8	23x15	B30204-0308	W3/8	C30204-0308	W3/8	D30204-0308	W3/8	
A30204-0102	W1/2	30x20	B30204-0102	W1/2	C30204-0102	W1/2	D30204-0102	W1/2	
A30204-0508	W5/8	43x30	B30204-0508	W5/8	C30204-0508	W5/8	D30204-0508	W5/8	
A30204-0304	W3/4	56x40	B30204-0304	W3/4	C30204-0304	W3/4	D30204-0304	W3/4	

Anchor Nut Cap



[Black] [White] [Gray] [Ivory]



[Cross section]

Red letters have been model changed to elastomer. PVC applied by custom made.

9502

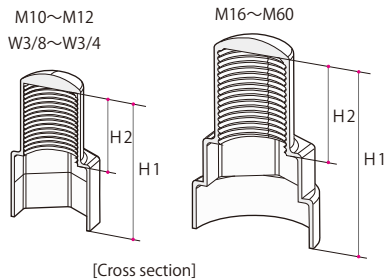
[Black]			[White]		[Gray]		[Ivory]		MSRP per PCS
Product No.	Size	H1xH2xA	Product No.	Size	Product No.	Size	Product No.	Size	
A30221-0006	M6	22x15x13	B30221-0006	M6	C30221-0006	M6	D30221-0006	M6	
A30221-0008	M8	25x15x18	B30221-0008	M8	C30221-0008	M8	D30221-0008	M8	
A30221-0010	M1 0	26x15x22	B30221-0010	M1 0	C30221-0010	M1 0	D30221-0010	M1 0	
A30221-0012	M1 2	33x20x26	B30221-0012	M1 2	C30221-0012	M1 2	D30221-0012	M1 2	
A30221-0016	M1 6	41x25x32	B30221-0016	M1 6	C30221-0016	M1 6	D30221-0016	M1 6	
A30221-0020	M2 0	50x30x40	B30221-0020	M2 0	C30221-0020	M2 0	D30221-0020	M2 0	
A30221-0104	W1/4	22x15x13	B30221-0104	W1/4	C30221-0104	W1/4	D30221-0104	W1/4	
A30221-0516	W5/1 6	25x15x18	B30221-0516	W5/1 6	C30221-0516	W5/1 6	D30221-0516	W5/1 6	
A30221-0308	W3/8	26x15x22	B30221-0308	W3/8	C30221-0308	W3/8	D30221-0308	W3/8	
A30221-0102	W1/2	33x20x26	B30221-0102	W1/2	C30221-0102	W1/2	D30221-0102	W1/2	

PVC CAP Series PVC Cap Series

Double Nut Cap



[Black] [White] [Gray] [Ivory]



[Cross section]

▲ As shown in the cross-sectional view above, the shape of the lower part differs depending on the size. Since it is difficult to align the faces of large nut size, the lower part shapes circular to make it easier installation.

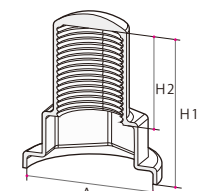
Red letters have been model changed to elastomer. PVC applied by custom made. 9503

[Black]			[White]		[Gray]		[Ivory]		MSRP perPCS
Product No.	Size	H1xH2	Product No.	Size	Product No.	Size	Product No.	Size	
A30206-0010	M1 0	31x15	B30206-0010	M1 0	C30206-0010	M1 0	D30206-0010	M1 0	
A30206-0012	M1 2	40x20	B30206-0012	M1 2	C30206-0012	M1 2	D30206-0012	M1 2	
A30206-0016	M1 6	51x25	B30206-0016	M1 6	C30206-0016	M1 6	D30206-0016	M1 6	
A30206-0020	M2 0	62x30	B30206-0020	M2 0	C30206-0020	M2 0	D30206-0020	M2 0	
A30206-0022	M2 2	76x40	B30206-0022	M2 2	C30206-0022	M2 2	D30206-0022	M2 2	
A30206-0024	M2 4	88x50	B30206-0024	M2 4	C30206-0024	M2 4	D30206-0024	M2 4	
A30206-0027	M2 7	94x50	B30206-0027	M2 7	C30206-0027	M2 7	D30206-0027	M2 7	
A30206-0030	M3 0	108x60	B30206-0030	M3 0	C30206-0030	M3 0	D30206-0030	M3 0	
A30206-0033	M3 3	122x70			C30206-0033	M3 3			
A30206-0036	M3 6	138x80			C30206-0036	M3 6			
A30206-0039	M3 9	142x80			C30206-0039	M3 9			
A30206-0042	M4 2	158x90			C30206-0042	M4 2			
A30206-0048	M4 8	166x90			C30206-0048	M4 8			
A30206-0056	M5 6	180x90			C30206-0056	M5 6			
A30206-0060	M6 0	186x90			C30206-0060	M6 0			
A30206-0308	W3/8	31x15	B30206-0308	W3/8	C30206-0308	W3/8	D30206-0308	W3/8	
A30206-0102	W1/2	40x20	B30206-0102	W1/2	C30206-0102	W1/2	D30206-0102	W1/2	
A30206-0508	W5/8	56x30	B30206-0508	W5/8	C30206-0508	W5/8	D30206-0508	W5/8	
A30206-0304	W3/4	72x40	B30206-0304	W3/4	C30206-0304	W3/4	D30206-0304	W3/4	

Single Nut Cap washer attached



[Black] [White] [Gray] [Ivory]



[Cross section]

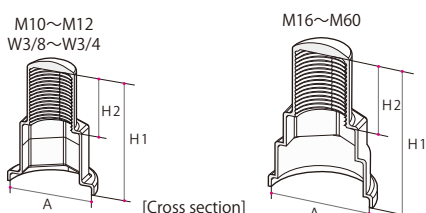
Red letters have been model changed to elastomer. PVC applied by custom made. 9504

[Black]			[White]		[Gray]		[Ivory]		MSRP perPCS
Product No.	Size	H1xH2xA	Product No.	Size	Product No.	Size	Product No.	Size	
A30210-0006	M6	22x15x13	B30210-0006	M6	C30210-0006	M6	D30210-0006	M6	
A30210-0008	M8	25x15x18	B30210-0008	M8	C30210-0008	M8	D30210-0008	M8	
A30210-0010	M1 0	26x15x22	B30210-0010	M1 0	C30210-0010	M1 0	D30210-0010	M1 0	
A30210-0012	M1 2	33x20x26	B30210-0012	M1 2	C30210-0012	M1 2	D30210-0012	M1 2	
A30210-0016	M1 6	41x25x32	B30210-0016	M1 6	C30210-0016	M1 6	D30210-0016	M1 6	
A30210-0020	M2 0	50x30x40	B30210-0020	M2 0	C30210-0020	M2 0	D30210-0020	M2 0	
A30210-0022	M2 2	62x40x44	B30210-0022	M2 2	C30210-0022	M2 2	D30210-0022	M2 2	
A30210-0024	M2 4	74x50x48	B30210-0024	M2 4	C30210-0024	M2 4	D30210-0024	M2 4	
A30210-0030	M3 0	89x60x58	B30210-0030	M3 0	C30210-0030	M3 0	D30210-0030	M3 0	
A30210-0036	M3 6	115x80x68	B30210-0036	M3 6	C30210-0036	M3 6	D30210-0036	M3 6	
A30210-0042	M4 2	131x90x78			C30210-0042	M4 2			
A30210-0048	M4 8	136x90x88			C30210-0048	M4 8			
A30210-0516	W5/16	25x15x18	B30210-0516	W5/16	C30210-0516	W5/16	D30210-0516	W5/16	
A30210-0308	W3/8	26x15x22	B30210-0308	W3/8	C30210-0308	W3/8	D30210-0308	W3/8	
A30210-0102	W1/2	33x20x32	B30210-0102	W1/2	C30210-0102	W1/2	D30210-0102	W1/2	
A30210-0508	W5/8	46x30x38	B30210-0508	W5/8	C30210-0508	W5/8	D30210-0508	W5/8	
A30210-0304	W3/4	60x40x45	B30210-0304	W3/4	C30210-0304	W3/4	D30210-0304	W3/4	

Double Nut Cap washer attached



[Black] [White] [Gray] [Ivory]



[Cross section]

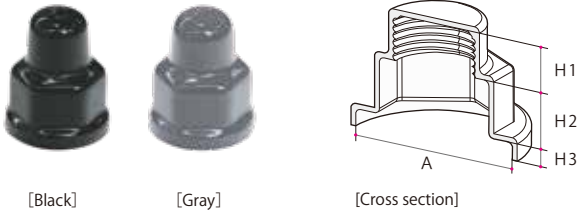
▲ As shown in the cross-sectional view above, the shape of the lower part differs depending on the size. Since it is difficult to align the faces of large nut size, the lower part shapes circular to make it easier installation.

Red letters have been model changed to elastomer. PVC applied by custom made. 9505

[Black]			[White]		[Gray]		[Ivory]		MSRP perPCS
Product No.	Size	H1xH2xA	Product No.	Size	Product No.	Size	Product No.	Size	
A30211-0010	M1 0	33x15x22	B30211-0010	M1 0	C30211-0010	M1 0	D30211-0010	M1 0	
A30211-0012	M1 2	43x20x26	B30211-0012	M1 2	C30211-0012	M1 2	D30211-0012	M1 2	
A30211-0016	M1 6	54x25x32	B30211-0016	M1 6	C30211-0016	M1 6	D30211-0016	M1 6	
A30211-0020	M2 0	66x30x40	B30211-0020	M2 0	C30211-0020	M2 0	D30211-0020	M2 0	
A30211-0022	M2 2	80x40x44	B30211-0022	M2 2	C30211-0022	M2 2	D30211-0022	M2 2	
A30211-0024	M2 4	92x50x48	B30211-0024	M2 4	C30211-0024	M2 4	D30211-0024	M2 4	
A30211-0027	M2 7	98x50x52	B30211-0027	M2 7	C30211-0027	M2 7	D30211-0027	M2 7	
A30211-0030	M3 0	113x60x58	B30211-0030	M3 0	C30211-0030	M3 0	D30211-0030	M3 0	
A30211-0033	M3 3	127x70x62			C30211-0033	M3 3			
A30211-0036	M3 6	143x80x68			C30211-0036	M3 6			
A30211-0039	M3 9	147x80x72			C30211-0039	M3 9			
A30211-0042	M4 2	164x90x78			C30211-0042	M4 2			
A30211-0048	M4 8	174x90x88			C30211-0048	M4 8			
A30211-0056	M5 6	189x90x105			C30211-0056	M5 6			
A30211-0060	M6 0	195x90x110			C30211-0060	M6 0			
A30211-0308	W3/8	33x15x22	B30211-0308	W3/8	C30211-0308	W3/8	D30211-0308	W3/8	
A30211-0102	W1/2	43x20x26	B30211-0102	W1/2	C30211-0102	W1/2	D30211-0102	W1/2	
A30211-0508	W5/8	59x30x32	B30211-0508	W5/8	C30211-0508	W5/8	D30211-0508	W5/8	
A30211-0304	W3/4	76x40x40	B30211-0304	W3/4	C30211-0304	W3/4	D30211-0304	W3/4	

PVC CAP Series PVC Cap Series

High Tension Nut Cap washer attached



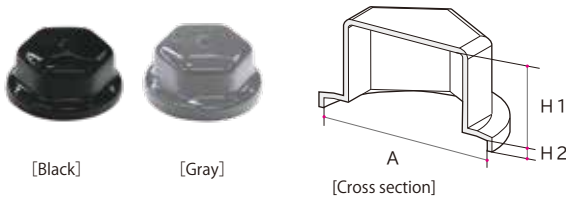
Model changing to Elastomer from small size product by the end of 2024.

9506

[Black]			[Gray]		MSRP perPCS
Product No.	Size	H1 × H2 × H3 × A	Product No.	Size	
A30230-0012	M1 2	20×12×4×26	C30230-0012	M1 2	
A30230-0016	M1 6	20×16×5×32	C30230-0016	M1 6	
A30230-0020	M2 0	22×20×5×40	C30230-0020	M2 0	
A30230-0022	M2 2	25×22×6×44	C30230-0022	M2 2	
A30230-0024	M2 4	28×24×6×48	C30230-0024	M2 4	
A30230-0027	M2 7	30×27×6×56	C30230-0027	M2 7	
A30230-0030	M3 0	32×30×8×60	C30230-0030	M3 0	

High-tension nuts cap prevents from rusting of hexagonal high-tension nuts head and bolts head on steel bridges. The inside threading of the cap, which is a feature of our original products, prevents the cap from coming off after installation, and leads to more efficient work. By sealing the inside and edges of the cap with a filler, it prevents water intrusion into the cap. Recommended for bonding by special adhesive.

High Tension Bolt Cap washer attached



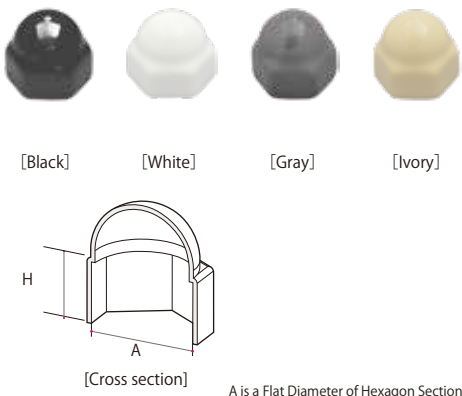
Model changing to Elastomer from small size product by the end of 2024.

9507

[Black]			[Gray]		MSRP perPCS
Product No.	Size	H1 × H2 × A	Product No.	Size	
A30231-0012	M1 2	8×4×26	C30231-0012	M1 2	
A30231-0016	M1 6	10×5×32	C30231-0016	M1 6	
A30231-0020	M2 0	13×5×40	C30231-0020	M2 0	
A30231-0022	M2 2	14×6×44	C30231-0022	M2 2	
A30231-0024	M2 4	15×6×48	C30231-0024	M2 4	
A30231-0027	M2 7	17×6×56	C30231-0027	M2 7	
A30231-0030	M3 0	19×8×60	C30231-0030	M3 0	

High-tension nuts cap prevents from rusting of hexagonal high-tension nuts head and bolts head on steel bridges. The inside threading of the cap, which is a feature of our original products, prevents the cap from coming off after installation, and leads to more efficient work. By sealing the inside and edges of the cap with a filler, it prevents water intrusion into the cap. Recommended for bonding by special adhesive.

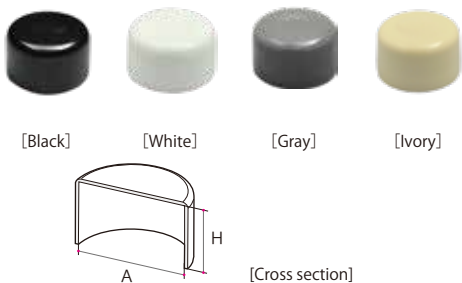
Hexagon Sac Nut Cap



9509

[Black]		[White]		[Gray]		[Ivory]		MSRP perPCS
Product No.	Size	A x H	Product No.	Size	Product No.	Size	Product No.	
A30220-0006	M6	10x9.5	B30220-0006	M6	C30220-0006	M6	D30220-0006	M6
A30220-0008	M8	13x12.5	B30220-0008	M8	C30220-0008	M8	D30220-0008	M8
A30220-0010	M10	17x15.5	B30220-0010	M10	C30220-0010	M10	D30220-0010	M10
A30220-0012	M12	19x18.5	B30220-0012	M12	C30220-0012	M12	D30220-0012	M12
A30220-0016	M16	24x24	B30220-0016	M16	C30220-0016	M16	D30220-0016	M16
A30220-0020	M20	30x29	B30220-0020	M20	C30220-0020	M20	D30220-0020	M20
A30220-0022	M22	32x32.5	B30220-0022	M22	C30220-0022	M22	D30220-0022	M22
A30220-0024	M24	36x35.5	B30220-0024	M24	C30220-0024	M24	D30220-0024	M24

Cap Bolt Outer Cap



9510

[Black]		[White]		[Gray]		[Ivory]		MSRP perPCS
Product No.	Size	A x H	Product No.	Size	Product No.	Size	Product No.	
A30220-0006	M6	10x9.5	B30220-0006	M6	C30220-0006	M6	D30220-0006	M6
A30220-0008	M8	13x12.5	B30220-0008	M8	C30220-0008	M8	D30220-0008	M8
A30220-0010	M10	17x15.5	B30220-0010	M10	C30220-0010	M10	D30220-0010	M10
A30220-0012	M12	19x18.5	B30220-0012	M12	C30220-0012	M12	D30220-0012	M12
A30220-0016	M16	24x24	B30220-0016	M16	C30220-0016	M16	D30220-0016	M16
A30220-0020	M20	30x29	B30220-0020	M20	C30220-0020	M20	D30220-0020	M20
A30220-0022	M24	32x32.5	B30220-0022	M24	C30220-0022	M24	D30220-0022	M24

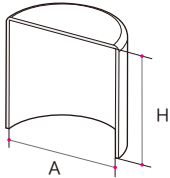
PVC CAP Series PVC Cap Series

Round Pipe Cap

9600



[Black] [White] [Gray] [Ivory]

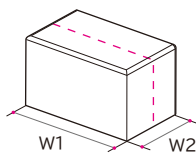


[Cross section]

A= Cap internal dimension
H= Inset depth

[Black]			[White]			[Gray]			[Ivory]			MSRP per PCS
Product No.	Size	AxH	Product No.	Size	AxH	Product No.	Size	AxH	Product No.	Size	AxH	
A30214-0063	6.35	6.35x20	B30214-0063	6.35	6.35x20	C30214-0063	6.35	6.35x20	D30214-0063	6.35	6.35x20	
A30214-0095	9.53	9.53x20	B30214-0095	9.53	9.53x20	C30214-0095	9.53	9.53x20	D30214-0095	9.53	9.53x20	
A30214-0105	10.5	10.5x20	B30214-0105	10.5	10.5x20	C30214-0105	10.5	10.5x20	D30214-0105	10.5	10.5x20	
A30214-0127	12.7	12.7x20	B30214-0127	12.7	12.7x20	C30214-0127	12.7	12.7x20	D30214-0127	12.7	12.7x20	
A30214-0138	13.8	13.8x20	B30214-0138	13.8	13.8x20	C30214-0138	13.8	13.8x20	D30214-0138	13.8	13.8x20	
A30214-0158	15.88	15.88x20	B30214-0158	15.88	15.88x20	C30214-0158	15.88	15.88x20	D30214-0158	15.88	15.88x20	
A30214-0173	17.3	17.3x20	B30214-0173	17.3	17.3x20	C30214-0173	17.3	17.3x20	D30214-0173	17.3	17.3x20	
A30214-0190	19.05	19.05x20	B30214-0190	19.05	19.05x20	C30214-0190	19.05	19.05x20	D30214-0190	19.05	19.05x20	
A30214-0222	22.23	22.23x30	B30214-0222	22.23	22.23x30	C30214-0222	22.23	22.23x30	D30214-0222	22.23	22.23x30	
A30214-0285	28.58	28.58x30	B30214-0285	28.58	28.58x30	C30214-0285	28.58	28.58x30	D30214-0285	28.58	28.58x30	
A30214-0349	34.93	34.93x35	B30214-0349	34.93	34.93x35	C30214-0349	34.93	34.93x35	D30214-0349	34.93	34.93x35	
A30214-0412	41.28	41.28x40	B30214-0412	41.28	41.28x40	C30214-0412	41.28	41.28x40	D30214-0412	41.28	41.28x40	
A30214-0539	53.98	53.98x50	B30214-0539	53.98	53.98x50	C30214-0539	53.98	53.98x50	D30214-0539	53.98	53.98x50	
A30214-0666	66.68	66.68x50	B30214-0666	66.68	66.68x50	C30214-0666	66.68	66.68x50	D30214-0666	66.68	66.68x50	
A30214-0793	79.38	79.38x50	B30214-0793	79.38	79.38x50	C30214-0793	79.38	79.38x50	D30214-0793	79.38	79.38x50	
A30214-1016	101.6	101.6x60	B30214-1016	101.6	101.6x60	C30214-1016	101.6	101.6x60	D30214-1016	101.6	101.6x60	
A30214-1047	104.78	104.78x60	B30214-1047	104.78	104.78x60	C30214-1047	104.78	104.78x60	D30214-1047	104.78	104.78x60	
A30214-1301	130.18	130.18x70	B30214-1301	130.18	130.18x70	C30214-1301	130.18	130.18x70	D30214-1301	130.18	130.18x70	
A30214-1398	139.8	139.8x70	B30214-1398	139.8	139.8x70	C30214-1398	139.8	139.8x70	D30214-1398	139.8	139.8x70	
A30214-1555	155.58	155.58x80	B30214-1555	155.58	155.58x80	C30214-1555	155.58	155.58x80	D30214-1555	155.58	155.58x80	
A30214-1652	165.2	165.2x80	B30214-1652	165.2	165.2x80	C30214-1652	165.2	165.2x80	D30214-1652	165.2	165.2x80	

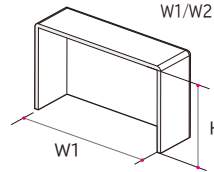
3D → Cross Section



W1 W2

H = Inset depth

W1/W2 = Cap internal dimension



H

Wide Square Pipe Cap

9603



[Black] [White] [Gray] [Ivory]

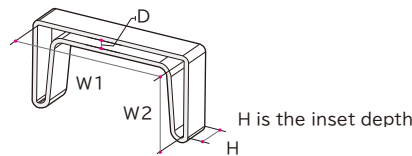
[Black]				[White]				[Gray]				[Ivory]				MSRP per PCS
Product No.	Size	W1xW2xH	Product No.	Size	W1xW2xH	Product No.	Size	W1xW2xH	Product No.	Size	W1xW2xH	Product No.	Size	W1xW2xH		
A30225-0125	125	125x75x70	B30225-0125	125	125x75x70	C30225-0125	125	125x75x70	D30225-0125	125	125x75x70					
A30225-0150	150	150x75x80	B30225-0150	150	150x75x80	C30225-0150	150	150x75x80	D30225-0150	150	150x75x80					
A30225-0200	200	200x100x100	B30225-0200	200	200x100x100	C30225-0200	200	200x100x100	D30225-0200	200	200x100x100					

Channel Cap (General Steel)

9604



[Black] [White] [Gray] [Ivory]



H is the inset depth

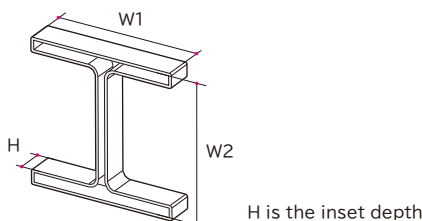
[Black]				[White]				[Gray]				[Ivory]				MSRP per PCS
Product No.	Size	W1xW2xDxH	Product No.	Size	W1xW2xDxH	Product No.	Size	W1xW2xDxH	Product No.	Size	W1xW2xDxH	Product No.	Size	W1xW2xDxH		
A30202-0125	125	125x65x6x40	B30202-0125	125	125x65x6x40	C30202-0125	125	125x65x6x40	D30202-0125	125	125x65x6x40					
A30202-150A	150A	150x75x6.5x50	B30202-150A	150A	150x75x6.5x50	C30202-150A	150A	150x75x6.5x50	D30202-150A	150A	150x75x6.5x50					
A30202-150B	150B	150x75x9x50	B30202-150B	150B	150x75x9x50	C30202-150B	150B	150x75x9x50	D30202-150B	150B	150x75x9x50					

H-Shaped Steel Cap

9605



[Black] [Gray] [Yellow]



H is the inset depth

[Black]			[Gray]			[Ivory]			MSRP per PCS
Product No.	Size	W1 x W2 x H	Product No.	Size	W1 x W2 x H	Product No.	Size	W1 x W2 x H	
A30215-0200	H200	200x200x50	C30215-0200	H200	200x200x50	E30215-0200	H200	200x200x50	
A30215-0300	H300	300x300x50	C30215-0300	H300	300x300x50	E30215-0300	H300	300x300x50	

Saving time in design work

2D/ 3D data can be downloaded from our website.

Please feel free to download for your design.

-Location-

AWJ website > Supports and Services > CAD data download

-Formats supported-

2D CAD DXF **3D CAD** x_t / iges / step

- Product available

EL Flat Series



Honeycomb Series



Marker Series



EL Cap Series



Data will be downloaded by the official site of NYK SYSTEMS.

EL Flat series, Flat U-bolt, Honeycomb spacer will be available in 2024.

[Notes for CAD data]

- The contents of CAD data are subject to change or revision without notice due to product improvement, consolidation, or other reasons.
- The copyright and ownership of the CAD data are owned by AWJ Co., Ltd.
- Not allowed to be altered, deleted, or otherwise modified without the prior consent of AWJ.
- Distribution, sale, or transfer of the CAD data is prohibited.
- The purposes of CAD data other than piping design is prohibited. No warranty of any accuracy of the data.
- We are not obligated to correct any errors or perform any other maintenance even if there are any deficiencies in the data.
- We shall not be liable for any direct or indirect damage or injury to third parties resulting from the data, reproduction, or distribution of this data, regardless of the legal basis, and shall not be liable for any compensation for damages.



AWJ Website



AWJ Direct shop



Facebook



Twitter



Instagram



YouTube

AWJ AWJ Co., Ltd.

Product tones may differ from the actual product due to the printing process.
Descriptions may change without prior announcement.

Apr/20/2024 Product Planning Department Rei Shimada
Please contact the following phone number for inquiries regarding catalog design.
TEL. +81-49-256-5110 FAX. +81-49-256-5108

Agent

Product specifications may change without prior announcement.
All rights reserved. Please do not reprint without permission.

AWJ AWJ Co., Ltd.

1187-1, Kamekubo, Fujimino, Saitama,
356-0051, Japan
TEL. +81-49-256-5155 FAX. +81-49-256-6101